



**Little Blue
Book**
Issue 13



Welcome to the latest edition of the Little Blue Book.

This catalogue outlines a range of goods and services available from Doughty Engineering Ltd.

Doughty began the manufacture of products for the entertainment industry in 1985 and is now one of the world's leading manufacturers of rigging, suspension and lifting equipment for film/TV, theatre and concert halls.

Quality and safety are key issues for Doughty. All our products are subjected to the most rigorous testing possible and, where appropriate, are approved by the TÜV product services. Such products show the TÜV logo.

Doughty is a member of PLASA (Professional Light and Sound Association) and adheres strictly to the standards of trading expected.

Doughty Little Blue Book is published by Doughty Engineering Limited, Crow Arch Lane, Ringwood, Hampshire, BH24 1NZ, UK.

© Doughty Engineering Ltd 2019

Telephone +44 1425 478961

Email sales@doughty-engineering.co.uk

Website www.doughty-engineering.co.uk



Doughty, Trigger Clamp and Twenty Clamp are registered Trade Marks of Doughty Engineering Limited.



Contents

Aluminium Clamps	2
Space Savers	48
Boom Arms	55
Pipe to Pipe Couplers	55
Truss Adaptors	60
Modular Rigging System	67
Suspension Clamps	77
Girder Clamps	84
Scissor Clamps	88
Beam Clamp	89
Marquee Clamps	90
Hook Clamps	93
Hooks & Eyes	102
Reutlinger Cable Holders	107
Bow Shackles	114
Safety Bonds	116
Pulleys	118
Rope & Wire Rope	127
Scenery Fixings	129
Swivel Arms	139
Floor & Wall Plates	140
3 Position Tank Traps	142
Wall Brackets	148
Pipes & Tubes	152
Scaffold Clamps	155
Speedrail	157
Pipeclamps	165
Doughty Rail	175
Six Track	179
Easydeck	197
SupaClamps	204
Grip Equipment	209
Pole Op Yokes & Projector Cradles	223
TV Brackets	225
Transporter Trolleys	227
Stand Accessories	229
Stands	236
Spigots	251
Facility Panels	260
Toughboxes	262
Internally Wired Bars	263
Studio Rail 60	264
Studio Rail 80	278
Barrel Trolleys	288
Pantographs	289
Lighting Hoists	291

Aluminium Clamps

Quick Reference Guide

Range	Tube Diameter	Width	WLL	Page(s)
Twenty Clamp	Ø48 - 51mm	28mm	20kg	4 - 5
Fifty Clamp	Ø38 - 51mm	30mm	750kg	6 - 7
Doughty Clamps	Ø48 - 51mm	50mm	500kg	8 - 13
Low Profile Clamps	Ø48 - 51mm	50mm	50kg	14 - 15
Stainless Fixings	Ø48 - 51mm	50mm	750kg	16 - 17
Slimline Doughty Clamps	Ø48 - 51mm	30mm	750kg	18 - 20
Lightweight Clamps	Ø48 - 51mm	50mm	500kg	21 - 23
Slimline Lightweights	Ø48 - 51mm	30mm	300kg	24 - 25
Super Lightweights	Ø48 - 51mm	30mm	100kg	26 - 27
25mm Atom Clamps	Ø25mm	21mm	100kg	28 - 31
32mm Atom Clamps	Ø32mm	30mm	100kg	28- 31
35mm Atom Clamps	Ø35mm	30mm	100kg	28 - 31
38mm Atom Clamps	Ø38mm	30mm	100kg	28 - 31
Atom G Clamp	Ø25 - 38mm	15mm	20kg	32
Mammoth Clamps	Ø60 - 63mm	50mm	500kg	33 - 35
Slimline Mammoths	Ø60 - 63mm	30mm	300kg	36 - 37
Trigger Clamps	Ø48 - 51mm	30mm	200kg	38 - 39
Baby Quick Triggers	Ø25 - 38mm	25mm	40kg	40 - 41
Quick Triggers	Ø38 - 51mm	50mm	250kg	42 - 43
Slimline Quick Triggers	Ø38 - 51mm	30mm	100kg	44 - 45
Titan Quick Triggers	Ø48 - 80mm	30mm	100kg	46 - 47

Aluminium Clamps at a Glance



Twenty Clamp
Pages 4 - 5



Fifty Clamp
Pages 6 - 7



Doughty Clamps
Pages 8 - 13



Low Profile Clamps
Page 14 - 15



Stainless Fixings
Pages 16 - 17



Slimline Doughty Clamps
Pages 18 - 20



Lightweight Clamps
Pages 21 - 23



Slimline Lightweights
Page 24 - 25



Super Lightweights
Page 26 - 27



Atom Clamps
Pages 28 - 31



Atom G Clamp
Page 32



Mammoth Clamps
Pages 33 - 35



Slimline Mammoths
Pages 36 - 37



Trigger Clamps
Pages 38 - 39



Baby Quick Triggers
Pages 40 - 41



Quick Trigger Clamps
Pages 42 - 43



Slimline Quick Triggers
Pages 44 - 45



Titan Quick Triggers
Pages 46 - 47



Space Savers
Pages 48 - 49



Specialty Couplers
Pages 50 - 54

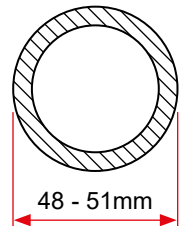
Twenty Clamp®

The Twenty Clamp is manufactured from pressure die cast aluminium and has been designed to eliminate truss damage usually associated with steel hook clamps.

This stylish compact clamp has a WLL of 20kg and can be secured to tubes of 48 - 51mm diameter with just two turns of the Doughty knob.

Main features:

- WLL 20kg
- TÜV approval
- Captive M10 or M12 bolt
- Fits 48 - 51mm diameter tubes
- Two turns to secure clamp
- Pressure die cast aluminium
- Prevents damage to thin wall truss



Twenty Clamp



T58400

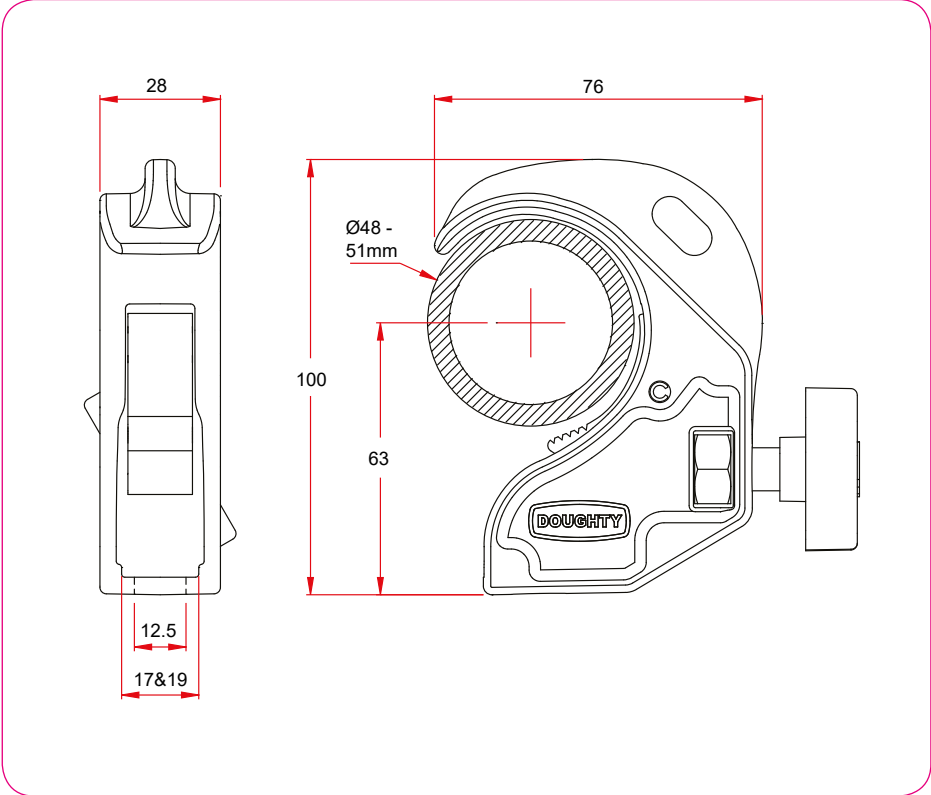
WLL

20kg

Weight

0.26kg

Hand Tight Only

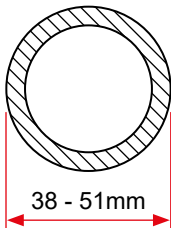


Fifty Clamp®

This stylish compact clamp has a WLL of 50kg and can be secured to tubes of 38 - 51mm diameter.

Main features:

- WLL 50kg
- TÜV approval
- Captive M10 or M12 bolt
- Fits 38 - 51mm diameter tubes
- Pressure die cast aluminium
- Prevents damage to thin wall truss



Fifty Clamp



T58410

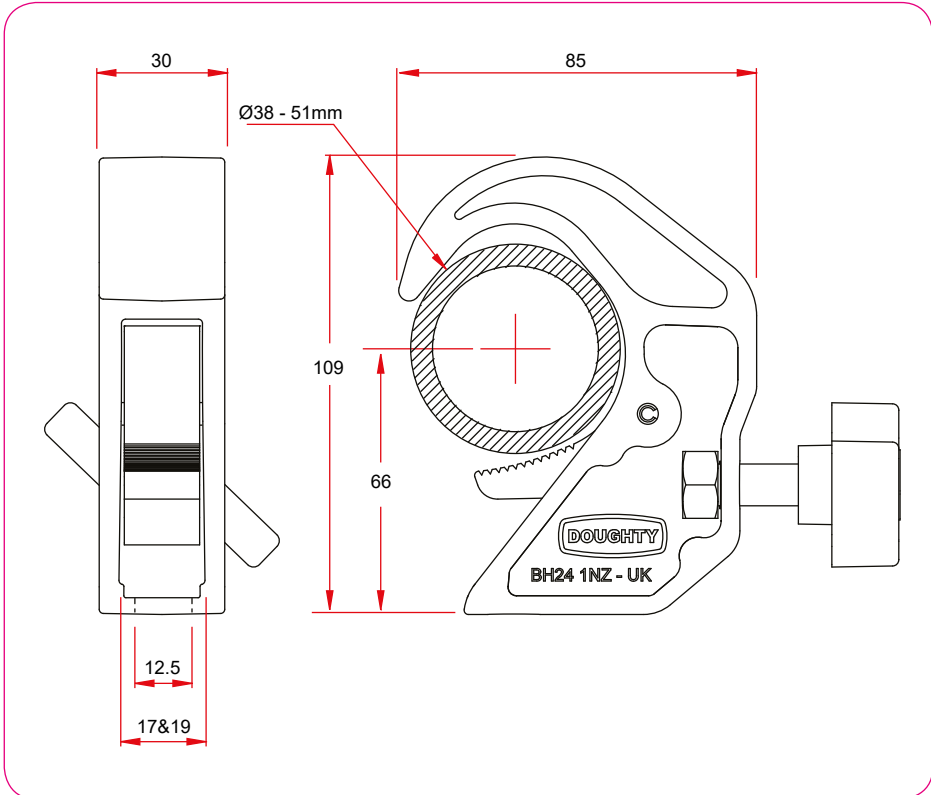
WLL

50kg

Weight

0.26kg

Hand Tight Only



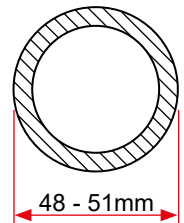
Doughty® Clamps

Doughty Clamps combine strength and durability with a high degree of safety. Constructed from high tensile aluminium & finished in either polished aluminium or black powder coated, they provide a secure fixing for tubes with external diameters of 48 - 51mm.

These clamps are slotted, allowing the use of a captive M12 nut or bolt head, enabling users to create fixings suited to their own individual requirements. This clamp has been TÜV tested and approved with a WLL of up to 750kg.

Main features:

- WLL 750kg
- TÜV approval
- Captive M12 bolt
- Fits 48 - 51mm diameter tubes
- High tensile aluminium



Doughty Clamp

Doughty Hook Clamp

Doughty Clamp with Easy Grip



T57000 - Silver

T57200 - Silver

T57120 - Silver



T57010 - Black

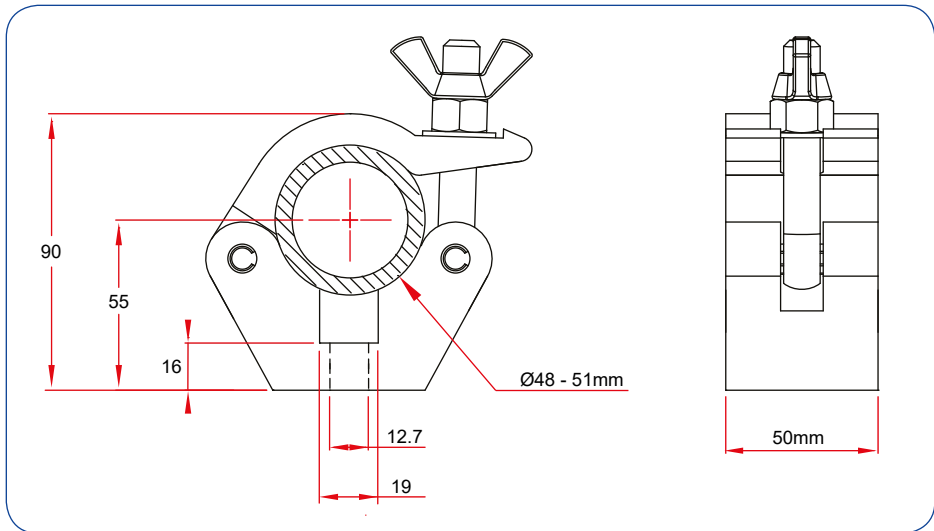
T57201 - Black

T57121 - Black

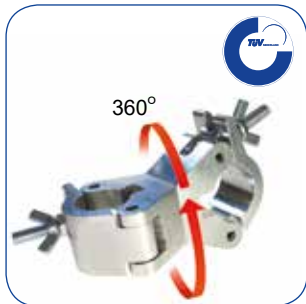
WLL	750kg
Weight	0.63kg
Max Torque	30Nm

WLL	750kg
Weight	0.71kg
Max Torque	30Nm

WLL	750kg
Weight	0.72kg
Max Torque	Hand Tight Only

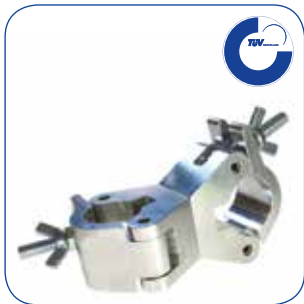


Doughty Swivel Coupler



T57100 - Silver

Doughty 90° Fixed Coupler

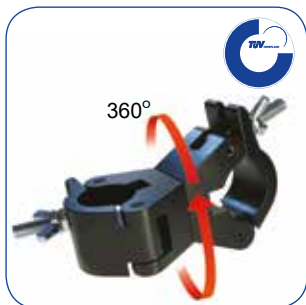


T57102 - Silver

Doughty Parallel Coupler



T57104 - Silver



T57110 - Black



T57112 - Black

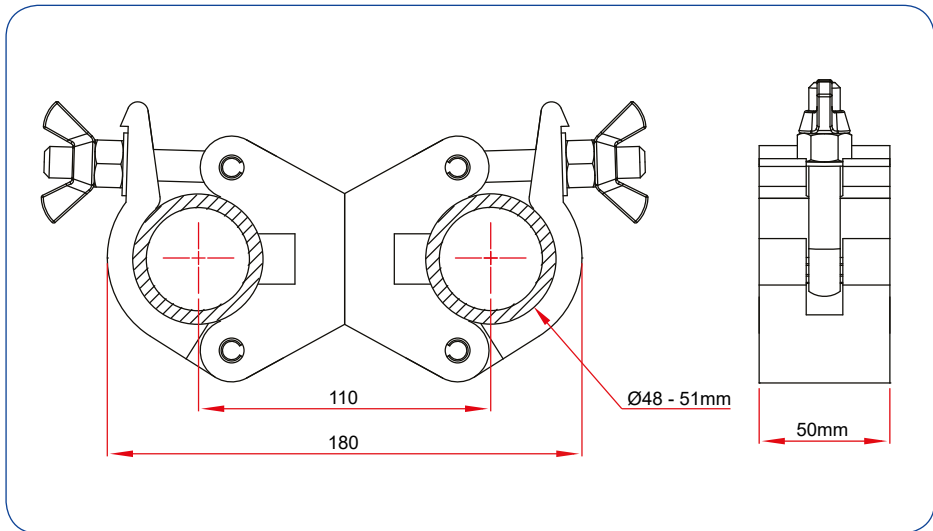


T57114 - Black

WLL	750kg
Weight	1.33kg
Max Torque	30Nm

WLL	750kg
Weight	1.33kg
Max Torque	30Nm

WLL	750kg
Weight	1.33kg
Max Torque	30Nm



Big Ben Clamp



T57225 - Silver

T5722501 - Black

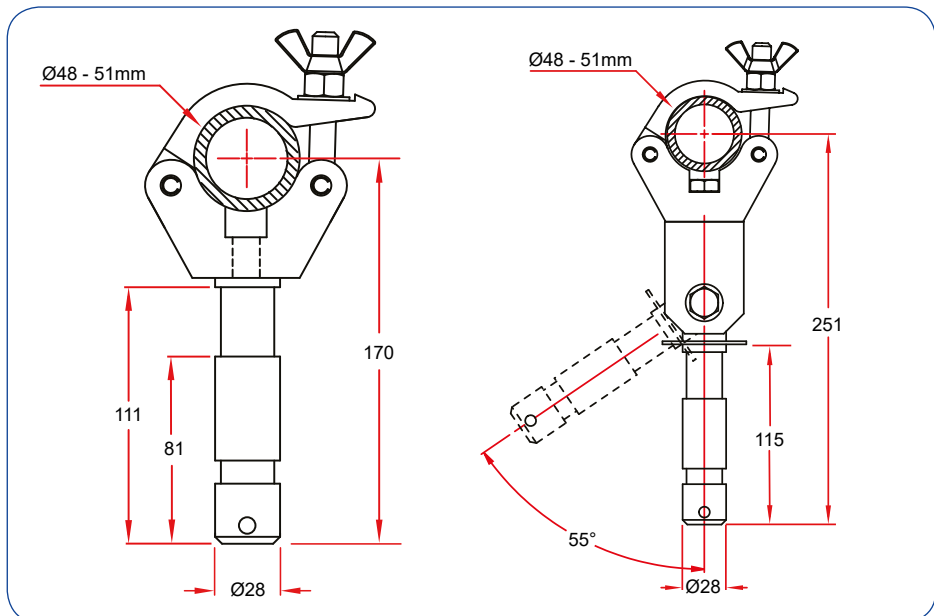
WLL	200kg
Weight	0.86kg
Max Torque	30Nm

Articulated Big Ben



T57227 - Silver

WLL	200kg
Weight	1.77kg
Max Torque	30Nm



TV Doughty Clamp

TV Quick Clamp



T57223 - Silver

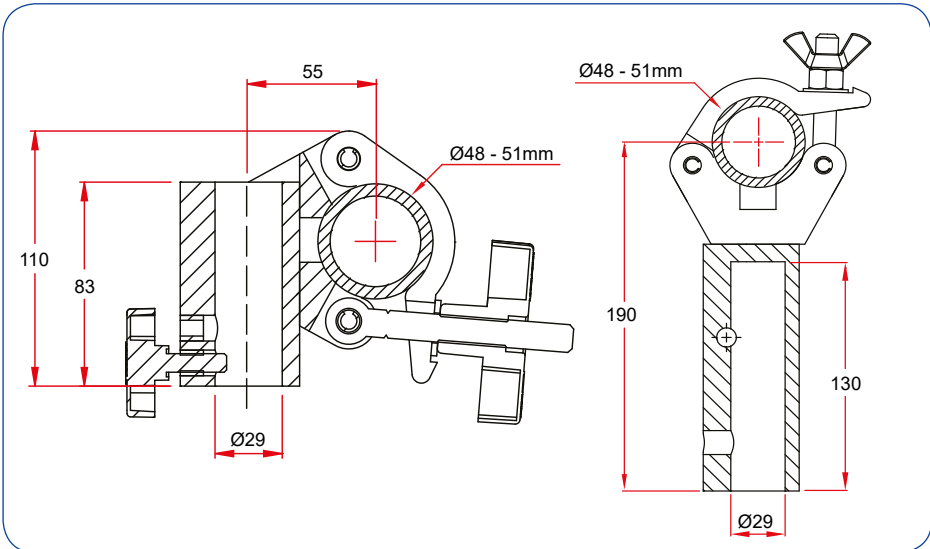
T57235 - Silver

T57224 - Black

T57236 - Black

WLL	250kg
Weight	0.93kg
Max Torque	Hand Tight Only

WLL	200kg
Weight	1.22kg
Max Torque	30Nm



Hanging Clamp
Standard Eye



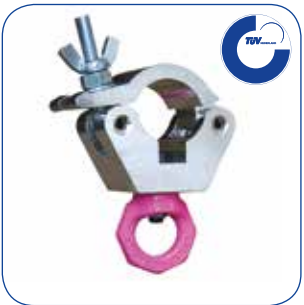
T57205 - Silver

Hanging Clamp
Red Eye



T57207 - Silver

Hanging Clamp
Pink Eye



T57203 - Silver



T57206 - Black



T57208 - Black

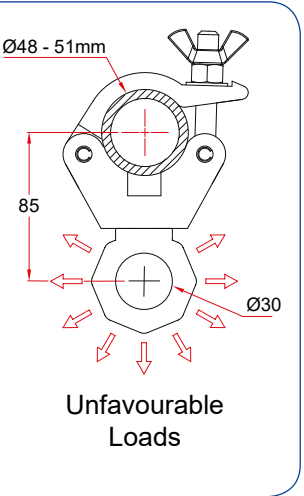
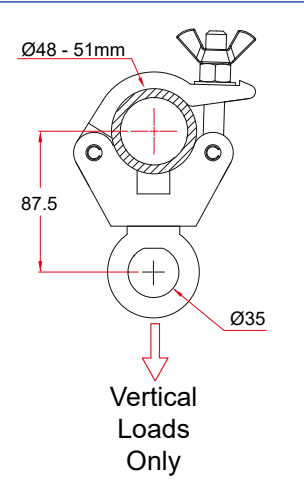
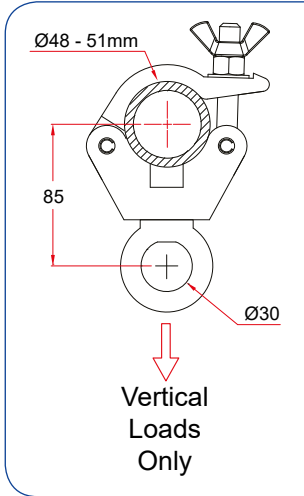


T57204 - Black

WLL	340kg
Weight	0.84kg
Max Torque	30Nm

WLL	500kg
Weight	0.90kg
Max Torque	30Nm

WLL	750kg
Weight	0.90kg
Max Torque	30Nm



Doughty®

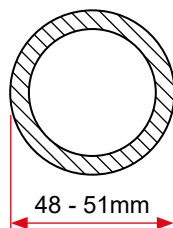
Low Profile Clamps

The Low Profile Doughty Clamp combines strength and durability with a high degree of safety. Constructed from high tensile aluminium & finished in either polished aluminium or black powder coated, this unit provides a secure fixing for tubes with external diameters from 48 - 51mm.

This clamp has been TÜV tested and approved with a WLL of 500kg.

Main features:

- WLL 500kg
- TÜV approval
- Fits 48 - 51mm diameter tubes
- High tensile aluminium



Low Profile
Weld Coupler



T57230 - Silver

WLL	500kg
Weight	0.49kg
Max Torque	30Nm

Low Profile
Hook Clamp



T58600 - Silver
T58601 - Black

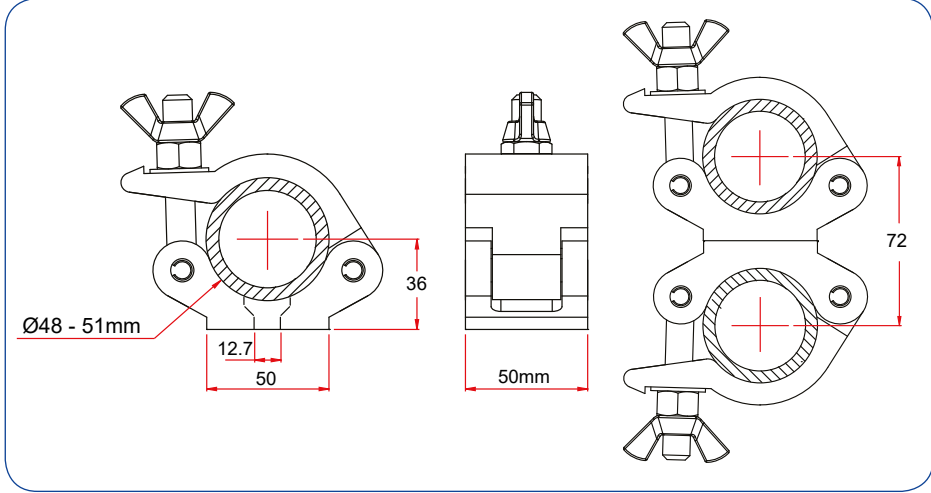
WLL	500kg
Weight	0.57kg
Max Torque	30Nm

Low Profile
Swivel Coupler



T58605 - Silver
T58606 - Black

WLL	500kg
Weight	1.06kg
Max Torque	30Nm

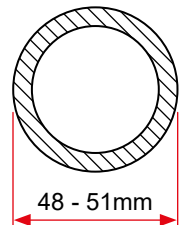


Stainless Fixings

Due to the increasing number of outdoor events using truss roof systems etc, Doughty Engineering has developed a range of Doughty Clamps with stainless steel fasteners to allow them to be used outside for prolonged periods while minimising any galvanic corrosion. These clamps have a WLL of 750kg.

Main features:

- WLL 750kg
- Captive M12 bolt
- Stainless steel fasteners
- Fits 48 - 51mm diameter tubes
- High tensile aluminium



Doughty Clamp

with Stainless Fasteners



includes Stainless Eyebolt Assy

Slimline Doughty Clamp

with Stainless Fasteners



includes Stainless Eyebolt Assy

Swivel Coupler

with Stainless Fasteners



includes Stainless Eyebolt Assy

ST57000

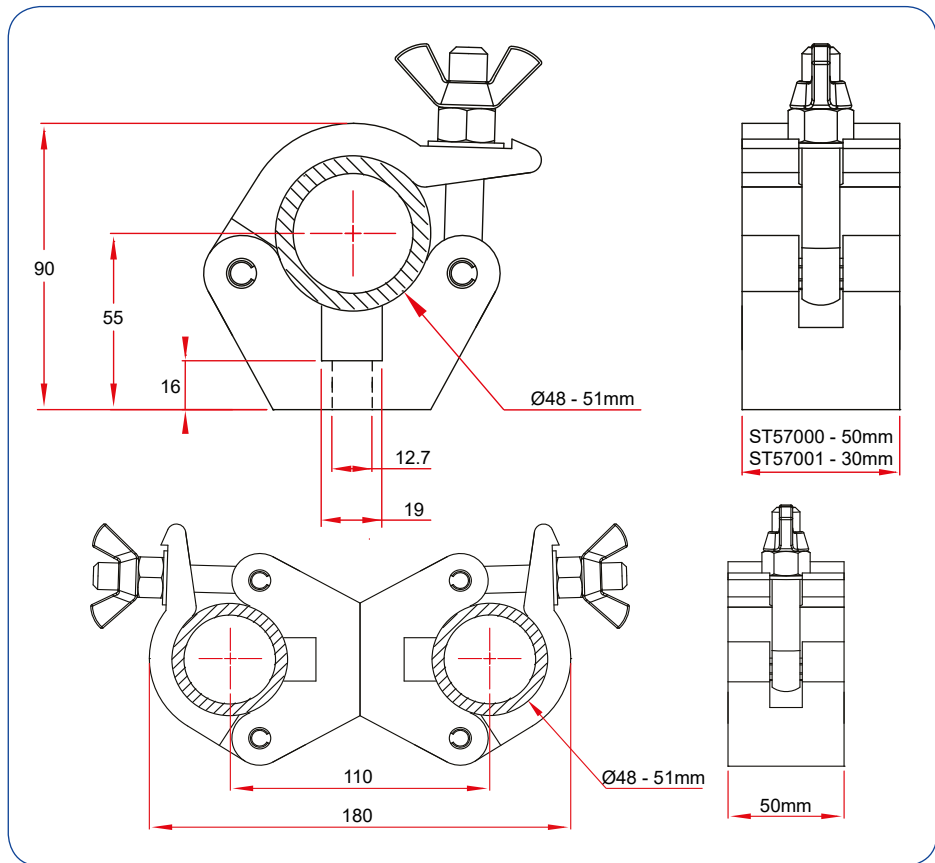
WLL	750kg
Weight	0.63kg
Max Torque	30Nm

ST57001

WLL	750kg
Weight	0.41kg
Max Torque	30Nm

ST57100

WLL	750kg
Weight	1.33kg
Max Torque	30Nm



Slimline Doughty® Clamps

The Slimline range of Doughty Clamps carries the same features as the standard Doughty clamp range, but is just 30mm wide to allow the clamps to be used between truss webs etc. Slotted to captivate an M12 nut or bolt head, these clamps have been TÜV tested and approved with a WLL of up to 750kg.

Main features:

- WLL 750kg
- TÜV approval
- Captive M12 bolt
- Fits 48 - 51mm diameter tubes
- High tensile aluminium



Slimline Doughty Clamp



T57001 - Silver

Slimline Hook Clamp



M12 x 50

T58010 - Silver

Slimline Hanging Clamp



T58014 - Silver



T57011 - Black



M12 x 50

T58011 - Black

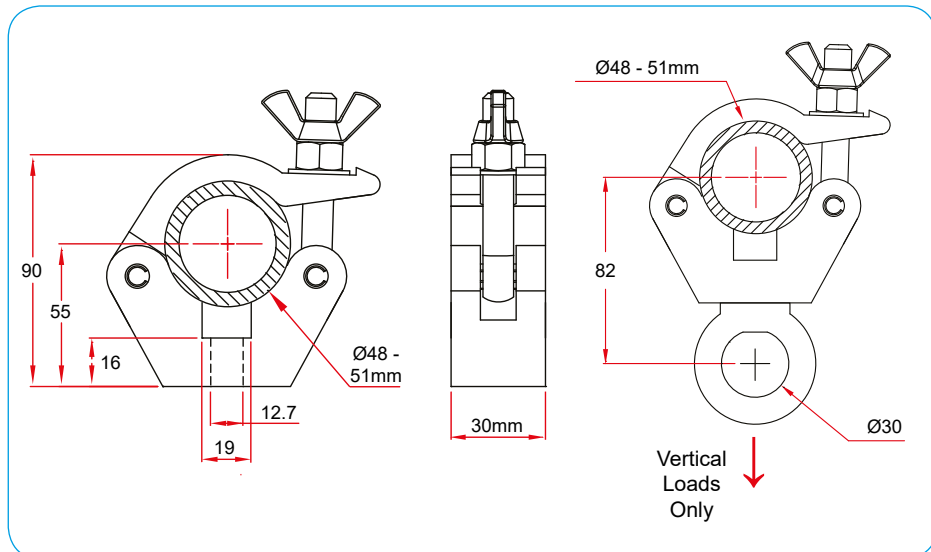


T58015 - Black

WLL	750kg
Weight	0.41kg
Max Torque	30Nm

WLL	750kg
Weight	0.50kg
Max Torque	30Nm

WLL	340kg
Weight	0.61kg
Max Torque	30Nm



Slimline Swivel Coupler



T58030 - Silver

T58031 - Black

WLL	750kg
Weight	0.89kg
Max Torque	30Nm

Slimline Little Tom Clamp



T58026 - Silver

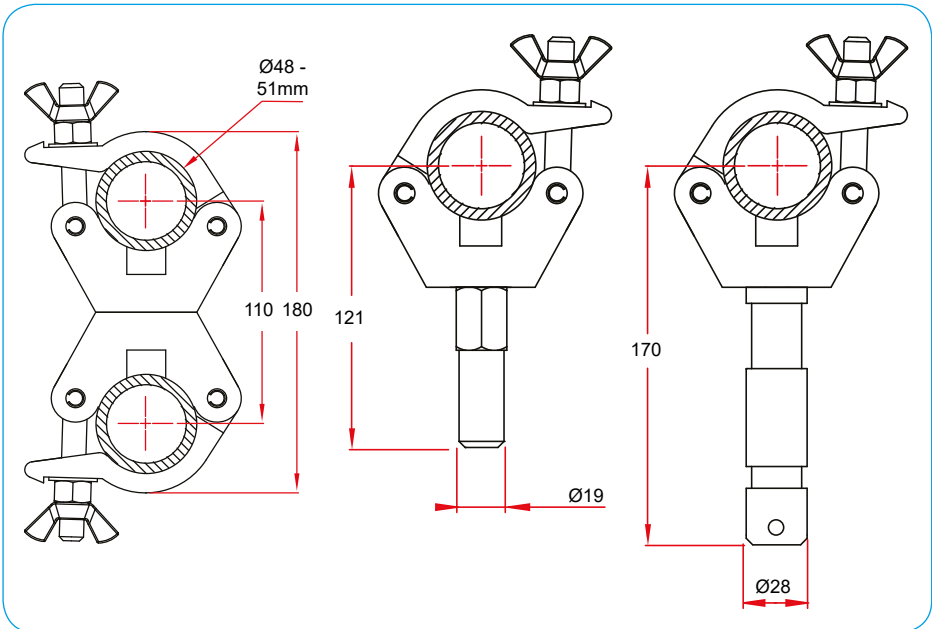
WLL	N/A
Weight	0.44kg
Max Torque	30Nm

Slimline Big Ben Clamp



T58018 - Silver

WLL	200kg
Weight	0.48kg
Max Torque	30Nm



Lightweight Clamps

Lightweight Doughty Clamps are constructed from high tensile aluminium extrusion and have been developed for installations where load capacities of up to 500kg are required. Designed to fit tubes with diameters of 48 - 51mm, these clamps are slotted to hold captive an M10 or M12 hexagon nut or bolt head. The lightweight half coupler has been TÜV tested and certified to a WLL and TÜV approval of 500kg. Slimline versions of this range are also available.

Main features:

- WLL 500kg
- TÜV approval
- Captive M10 or M12 bolt
- Fits 48 - 51mm diameter tubes
- High tensile aluminium
- Available in polished aluminium or black powder paint



Lightweight Clamp



T58100 - Silver

Lightweight Hook Clamp



M12 x 50

T58105 - Silver

L/Weight Big Ben Clamp



T58107 - Silver



T58101 - Black



M12 x 50

T58106 - Black

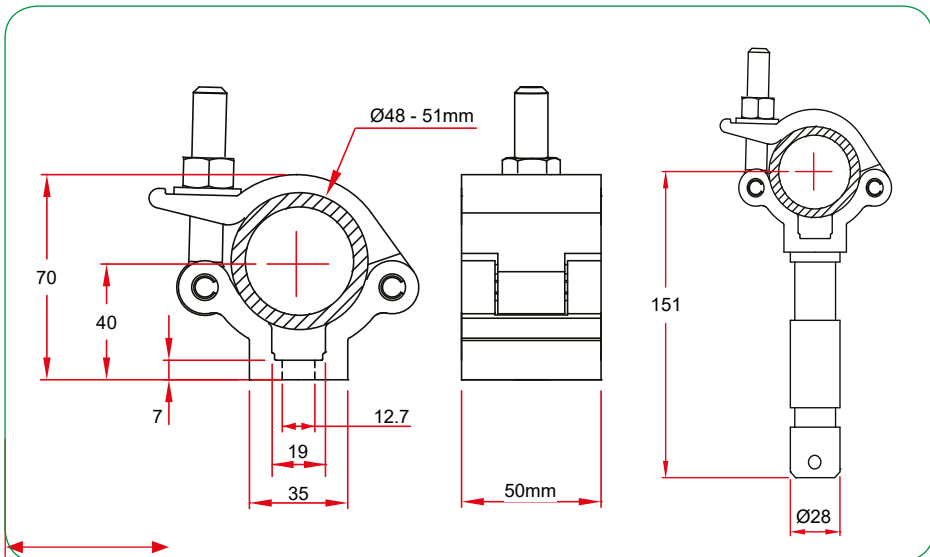


T58108 - Black

WLL	500kg
Weight	0.34kg
Max Torque	30Nm

WLL	500kg
Weight	0.34kg
Max Torque	30Nm

WLL	200kg
Weight	0.63kg
Max Torque	30Nm



LW 90° Fixed Coupler



T58110 - Silver

T58111 - Black

WLL	500kg
Weight	0.76kg
Max Torque	30Nm

LW Parallel Coupler

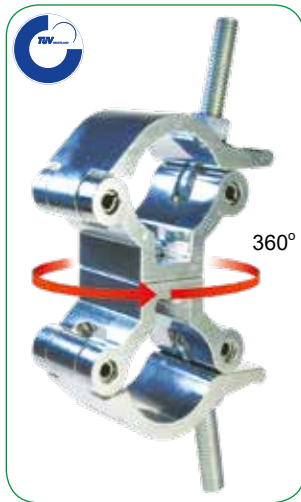


T58115 - Silver

T58116 - Black

WLL	500kg
Weight	0.76kg
Max Torque	30Nm

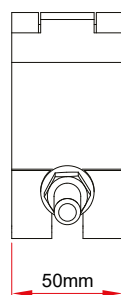
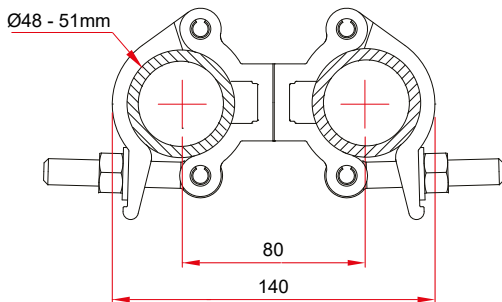
LW Swivel Coupler



T58120 - Silver

T58121 - Black

WLL	500kg
Weight	0.76kg
Max Torque	30Nm



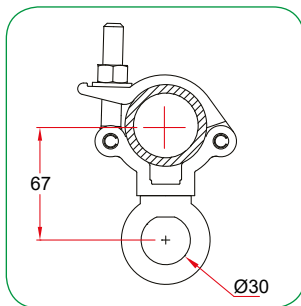
L/W Hanging Clamp

T58109 - Silver

T58119 - Black

WLL	340kg
Weight	0.44kg
Max Torque	30Nm

Vertical Loads Only

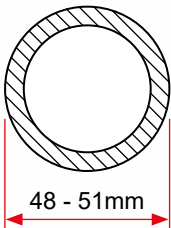


Slimline Lightweight Clamps

Slimline Lightweight Doughty Clamps carry the same quality features of the standard lightweight range. The 30mm width allows these clamps to be used between truss webs etc.

Main features:

- WLL 300kg
- TÜV approval
- Captive M10 or M12 bolt
- Fits 48 - 51mm diameter tubes
- High tensile aluminium
- Available in polished aluminium or black powder coated



Slimline L/W Clamp



T58080 - Silver

Slimline L/W Hook Clamp



M12 x 50

T58085 - Silver



T58081 - Black



M12 x 50

T58086 - Black

S/L L/W Swivel Coupler



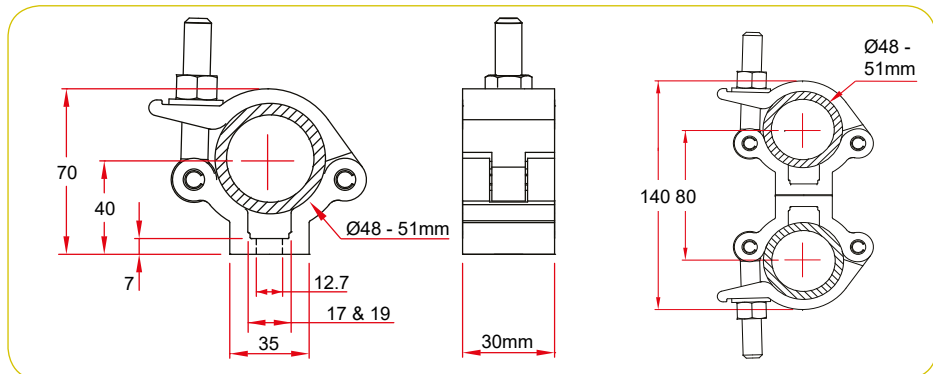
T58098 - Silver

T58099 - Black

WLL	300kg
Weight	0.24kg
Max Torque	30Nm

WLL	300kg
Weight	0.32kg
Max Torque	30Nm

WLL	300kg
Weight	0.55kg
Max Torque	30Nm

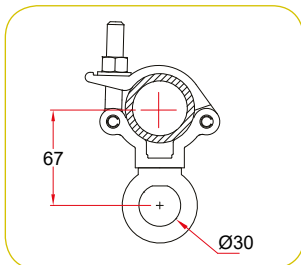


S/L L/W Hanging Clamp

T58089 - Silver

T58090 - Black

WLL	300kg
Weight	0.34kg
Max Torque	30Nm



Vertical Loads Only

Super Lightweight Clamps

Super Lightweight Doughty Clamps are constructed from high tensile aluminium extrusions designed to fit bars with diameters between 48 - 51mm. They are slotted to hold captive an M10 nut or bolt head.

The clamps have a slimline profile of 30mm and a TÜV approval of 100kg WLL.

Main features:

- WLL 100kg
- TÜV approval
- Captive M10 bolt
- Fits 48 - 51mm diameter tubes
- High tensile aluminium
- Available in polished aluminium or black powder coated



SLW Clamp

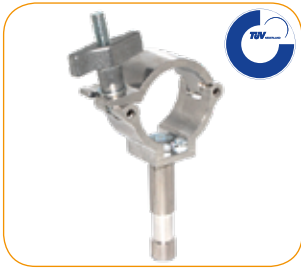


M10 x 30

SLW Swivel Coupler



SLW Beamer Clamp



T58122 - Silver



M10 x 30

T58123 - Silver



T58125 - Silver



T5812201 - Black

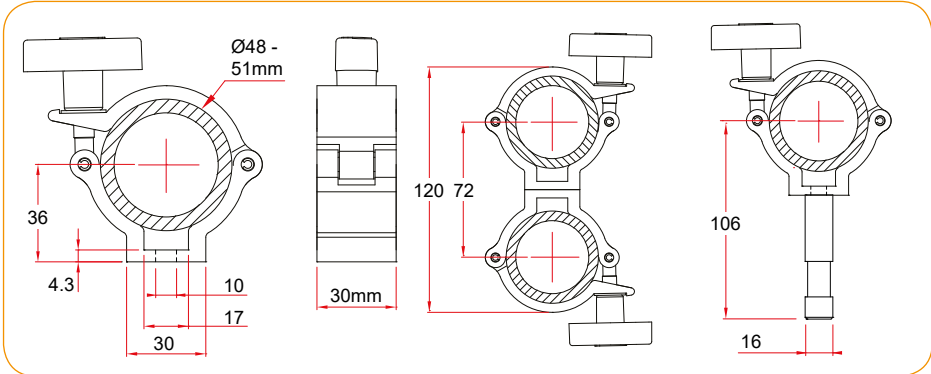
WLL	100kg
Weight	0.18kg
Max Torque	Hand Tight Only

T5812301 - Black

WLL	100kg
Weight	0.40kg
Max Torque	Hand Tight Only

T5812501 - Black

WLL	100kg
Weight	0.28kg
Max Torque	Hand Tight Only



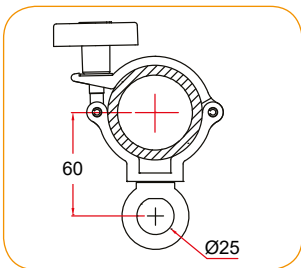
SLW Hanging Clamp

T58124 - Silver

T5812401 - Black

WLL	100kg
Weight	0.34kg
Max Torque	Hand Tight Only

Vertical Loads Only

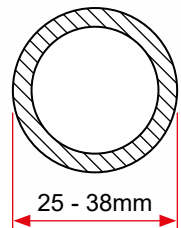


Atom Clamps

Atom Clamps are the smallest of the Doughty range of extruded aluminium couplers and are slotted to hold captive a nut or bolt head. These small clamps have a WLL of 100kg and are ideal for shop displays, film lighting etc. Atom clamps will fit tubes with exterior diameters of 25 - 38mm and are suitable for use not only for lightweight trusses, but also the centre tube on most varieties of stands.

Main features:

- WLL 100kg
- TÜV approval
- Captive bolt
- Fits 25, 32, 35 & 38mm diameter tubes
- High tensile aluminium
- Available in polished aluminium or black powder coated



Atom Clamp

Atom Hook Clamp

Atom Hanging Clamp



- T58870 - 25mm Silver
- T58800 - 32mm Silver
- T58900 - 35mm Silver
- T58970 - 38mm Silver
- T5887001 - 25mm Black
- T5880001 - 32mm Black
- T5890001 - 35mm Black
- T5897001 - 38mm Black

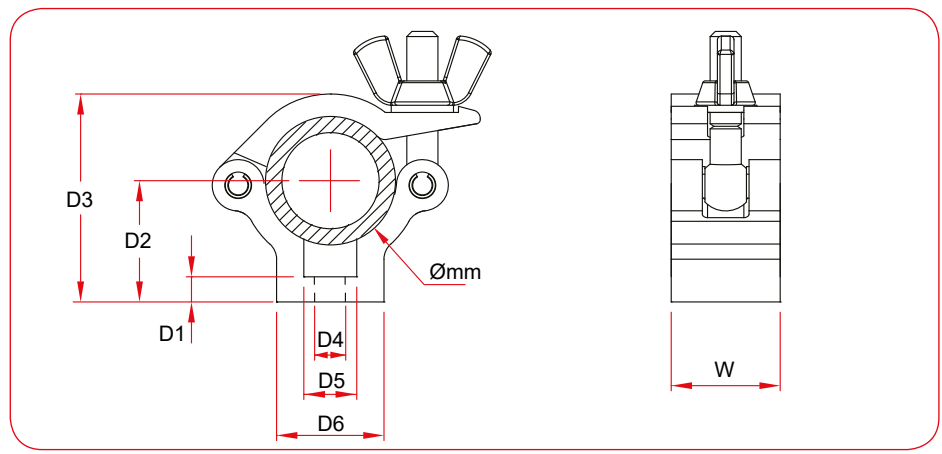


- T58887 - 25mm Silver
- T58830 - 32mm Silver
- T58927 - 35mm Silver
- T58997 - 38mm Silver
- T5888701 - 25mm Black
- T5883001 - 32mm Black
- T5892701 - 35mm Black
- T5899701 - 38mm Black



- T58890 - 25mm Silver
- T58840 - 32mm Silver
- T58920 - 35mm Silver
- T58990 - 38mm Silver
- T5889001 - 25mm Black
- T5884001 - 32mm Black
- T5892001 - 35mm Black
- T5899001 - 38mm Black

	Ø25mm	Ø32mm	Ø35mm	Ø38mm
WLL	100kg	100kg	100kg	100kg
D1	5mm	5mm	5mm	5mm
D2	21mm	28mm	32mm	36mm
D3	41mm	48mm	55mm	55mm
D4	Ø6mm	Ø6mm	Ø10mm	Ø10mm
D5	10mm	10mm	14 & 17mm	17mm
D6	20mm	30mm	30mm	30mm
W	21mm	30mm	30mm	30mm
kg	0.04kg	0.08kg	0.09kg	0.09kg
F	M6 x 30	M6 x 30	M8 & M10	M10 x 30



Atom 90° Fixed Coupler



T58885 - 25mm Silver
 T58820 - 32mm Silver
 T58915 - 35mm Silver
 T58985 - 38mm Silver
 T5888501 - 25mm Black
 T5882001 - 32mm Black
 T5891501 - 35mm Black
 T5898501 - 38mm Black

Atom Parallel Coupler



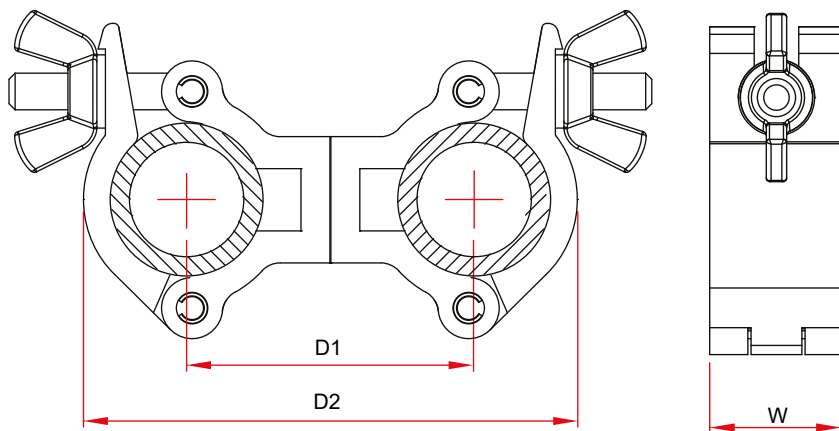
T58880 - 25mm Silver
 T58815 - 32mm Silver
 T58910 - 35mm Silver
 T58980 - 38mm Silver
 T5888001 - 25mm Black
 T5881501 - 32mm Black
 T5891001 - 35mm Black
 T5898001 - 38mm Black

Atom Swivel Coupler



T58875 - 25mm Silver
 T58810 - 32mm Silver
 T58905 - 35mm Silver
 T58975 - 38mm Silver
 T5887501 - 25mm Black
 T5881001 - 32mm Black
 T5890501 - 35mm Black
 T5897501 - 38mm Black

	Ø25mm	Ø32mm	Ø35mm	Ø38mm
WLL	100kg	100kg	100kg	100kg
D1	42mm	56mm	64mm	72mm
D2	82mm	96mm	110mm	110mm
W	21mm	30mm	30mm	30mm



Super Lightweight to Atom Swivel Couplers



Ø25mm to Ø48/51mm

T58132 - Silver

T5813201 - Black

WLL	100kg
Diameters	Ø25 & Ø48/51mm
Tube Centres	61mm
Weight	0.34kg



Ø32mm to Ø48/51mm

T58133 - Silver

T5813301 - Black

WLL	100kg
Diameters	Ø32 & Ø48/51mm
Tube Centres	64.5mm
Weight	0.34kg



Ø35mm to Ø48/51mm

T58134 - Silver

T5813401 - Black

WLL	100kg
Diameters	Ø35 & Ø48/51mm
Tube Centres	69mm
Weight	0.34kg



Ø38mm to Ø48/51mm

T58135 - Silver

T5813501 - Black

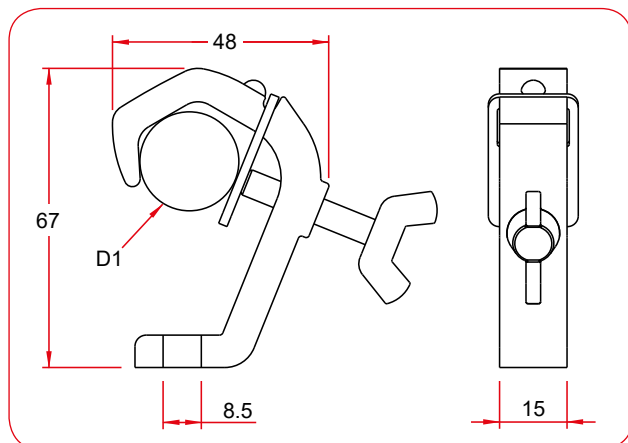
WLL	100kg
Diameters	Ø38 & Ø48/51mm
Tube Centres	67.5mm
Weight	0.34kg

Atom G Clamp

The Atom G Clamp is designed specifically for small architectural luminaires.

Main features:

- WLL 20kg
- Fits 25, 32, 35 & 38mm diameter tubes
- High tensile aluminium
- Available in polished aluminium or black powder coated



Atom G Clamp

T58450 - Silver

T58451 - Black

WLL 20Kg

Weight 0.05kg

Handtight Only

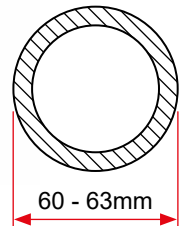
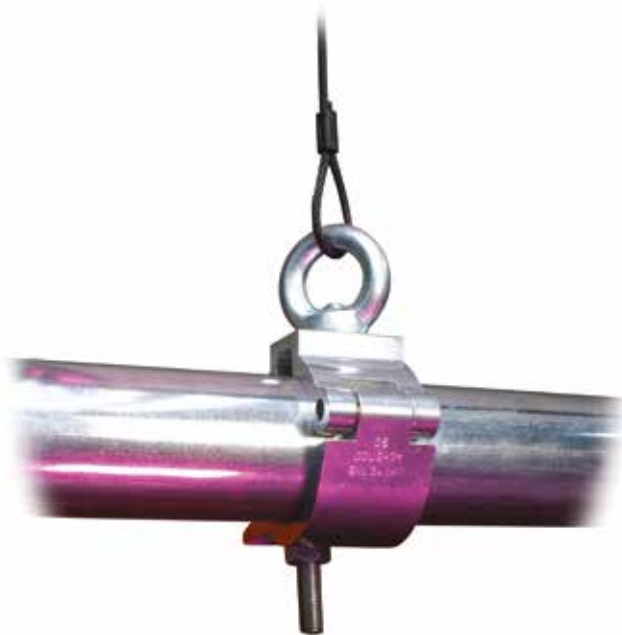
Mammoth Clamps

The Mammoth Clamp range has been designed to fit tubes with a diameter of 60 - 63mm. The Mammoth half coupler is TÜV tested and certified for a WLL of 500kg.

As with most other Doughty couplers, the high tensile aluminium base is slotted to hold captive a nut or bolt head.

Main features:

- WLL 500kg
- TÜV approval
- Captive M10 & M12 bolt
- Fits 60 - 63mm diameter tubes
- High tensile aluminium
- Available in polished aluminium or black powder paint



Mammoth Clamp



T57400 - Silver

Mammoth Hook Clamp



M12 x 50

T57410 - Silver

Mammoth Hanging Clamp



T57450 - Silver



T57401 - Black



M12 x 50

T57411 - Black

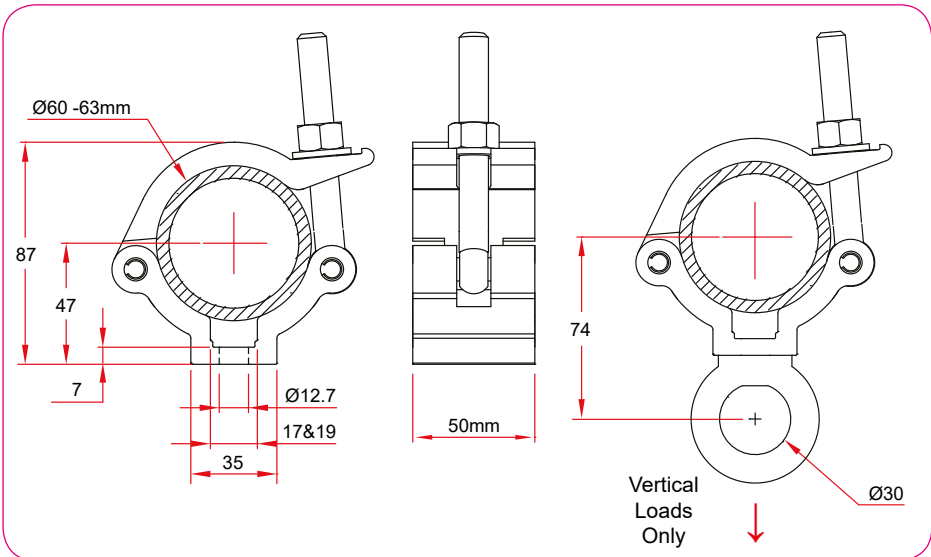


T57451 - Black

WLL	500kg
Weight	0.41kg
Max Torque	30Nm

WLL	500kg
Weight	0.49kg
Max Torque	30Nm

WLL	340kg
Weight	0.51kg
Max Torque	30Nm



Mammoth 90° Fixed



Mammoth Swivel Coupler



Mammoth Parallel Coupler



T57430 - Silver

T57420 - Silver

T57440 - Silver

T57431 - Black

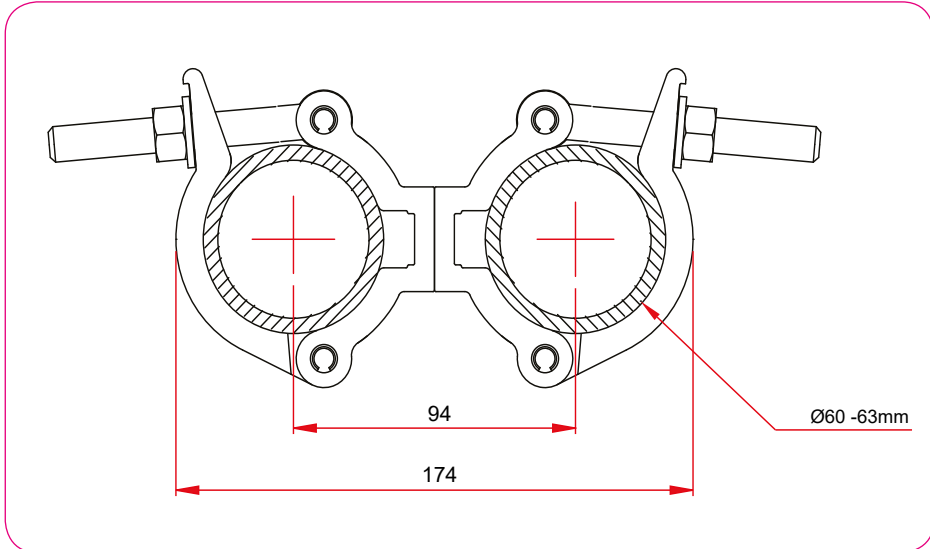
T57421 - Black

T57441 - Black

WLL	500kg
Weight	0.90kg
Max Torque	30Nm

WLL	500kg
Weight	0.90kg
Max Torque	30Nm

WLL	500kg
Weight	0.90kg
Max Torque	30Nm



Slimline Mammoth Clamp



T57405 - Silver

Slimline Hook Clamp



M12 x 50

T57415 - Silver

Slimline Hanging Clamp



T57455 - Silver



T57406 - Black



M12 x 50

T57416 - Black

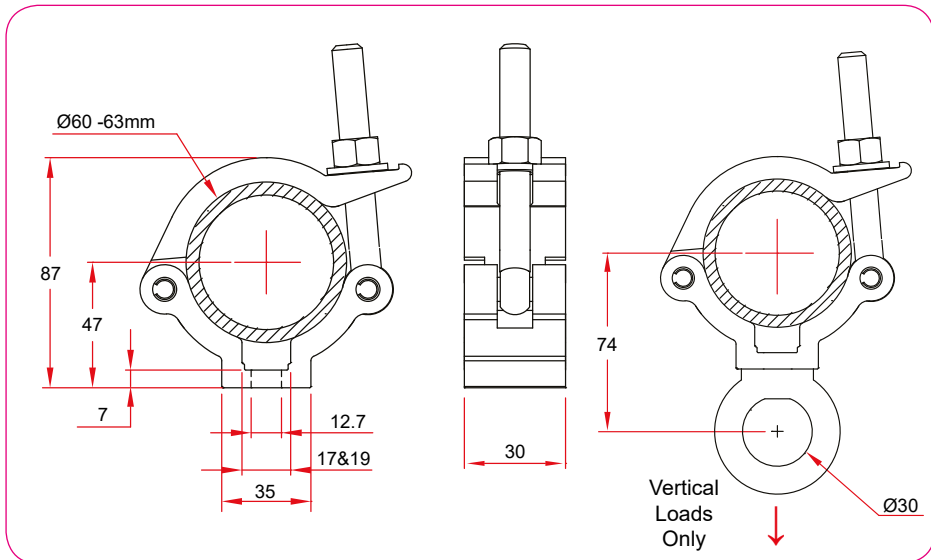


T57456 - Black

WLL	300kg
Weight	0.41kg
Max Torque	30Nm

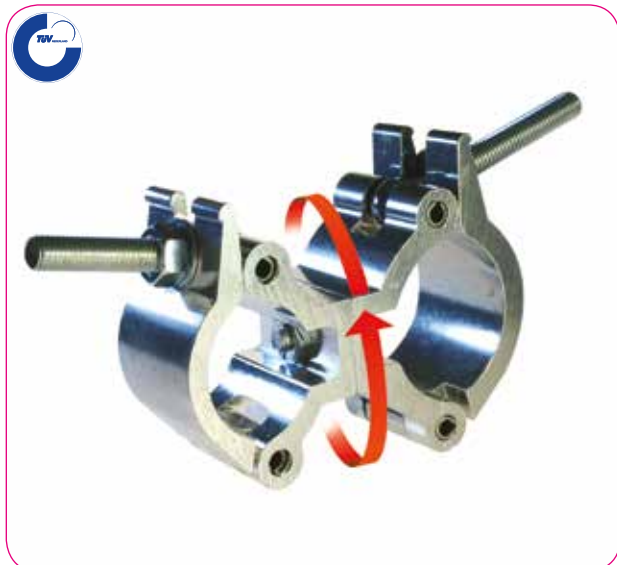
WLL	300kg
Weight	0.49kg
Max Torque	30Nm

WLL	300kg
Weight	0.51kg
Max Torque	30Nm



Slimline Swivel Coupler

Mammoth 60 to 50mm



T57422 - Silver
T57423 - Black

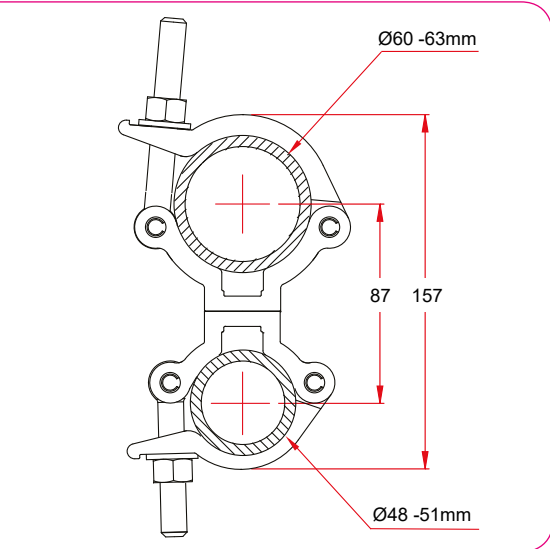
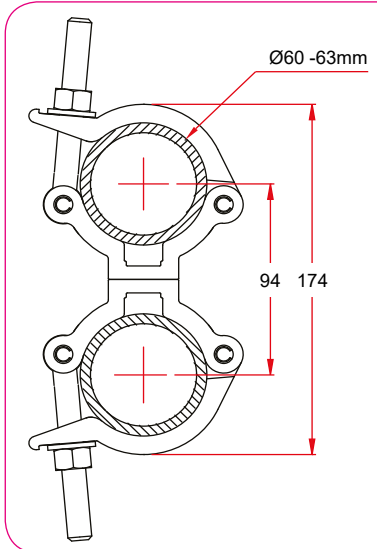
Swivel
T57425 - Silver
T57426 - Black

Fixed 90 Degree
T57435 - Silver
T57436 - Black

WLL	300kg
Weight	0.90kg
Max Torque	30Nm

WLL	500kg
Weight	0.90kg
Max Torque	30Nm

D4	87mm
Weight	0.90kg
Max Torque	30Nm



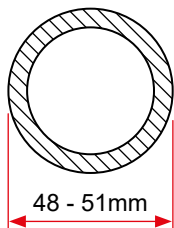
Trigger® Clamps

The Doughty Trigger Clamp is constructed from high tensile aluminium extrusion making it not only lightweight, but extremely strong, with a WLL and TÜV approval of 200kg.

Designed to allow one person to hang heavy luminaires and scanners, the weight of the object being hung becomes its own safety factor by automatically closing the trigger and the bottom half of the clamp. This unique feature allows the luminaires to be easily positioned and securely 'locked off' using the large tee 'easygrip' handle.

Main features:

- WLL 200kg
- TÜV approval
- Captive M12 bolt
- Fits 48 - 51mm diameter tubes
- High tensile aluminium
- Available in polished aluminium or black powder coated



Trigger Clamp



T58860 - Silver



T588601 - Black

Hook Clamp



T58861 - Silver



T5886101 - Black

Hanging Clamp



T58862 - Silver



T5886201 - Black

TV Clamp



T58869 - Silver

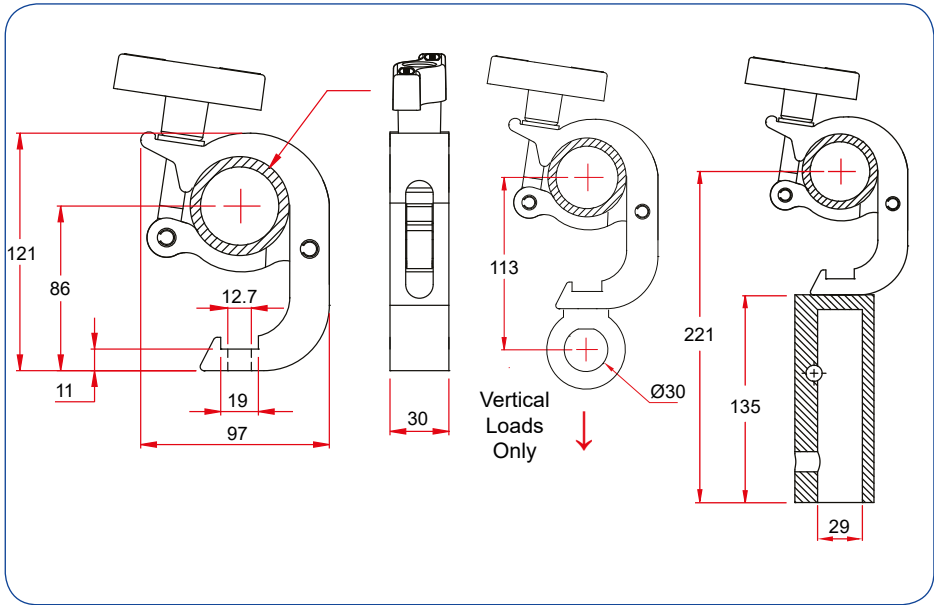
T5886901 - Black

WLL	200kg
Weight	0.50kg
Hand Tight Only	

WLL	200kg
Weight	0.58kg
Hand Tight Only	

WLL	200kg
Weight	0.71kg
Hand Tight Only	

WLL	200kg
Weight	1.09kg
Hand Tight Only	

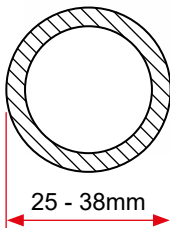


Baby Quick Trigger[®] Clamps

The Baby Quick Trigger Clamp is the latest addition to our range of Quick Trigger Clamps. Manufactured from high tensile aluminium this clamp is ideally suited to decorative truss etc.

Main features:

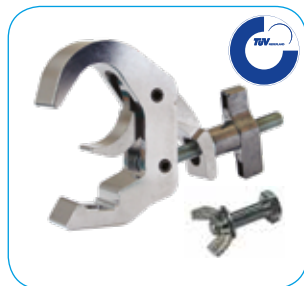
- WLL 40kg
- Captive M8 or M10 bolt
- Fits 25 - 38mm diameter tubes
- High tensile aluminium
- Available in polished aluminium or black powder coated



Baby Quick Trigger

Baby Quick Trigger

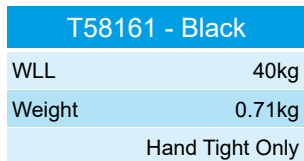
Baby Quick Trigger



T58150 - Silver

T58155 - Silver

T58160 - Silver



T58151 - Black

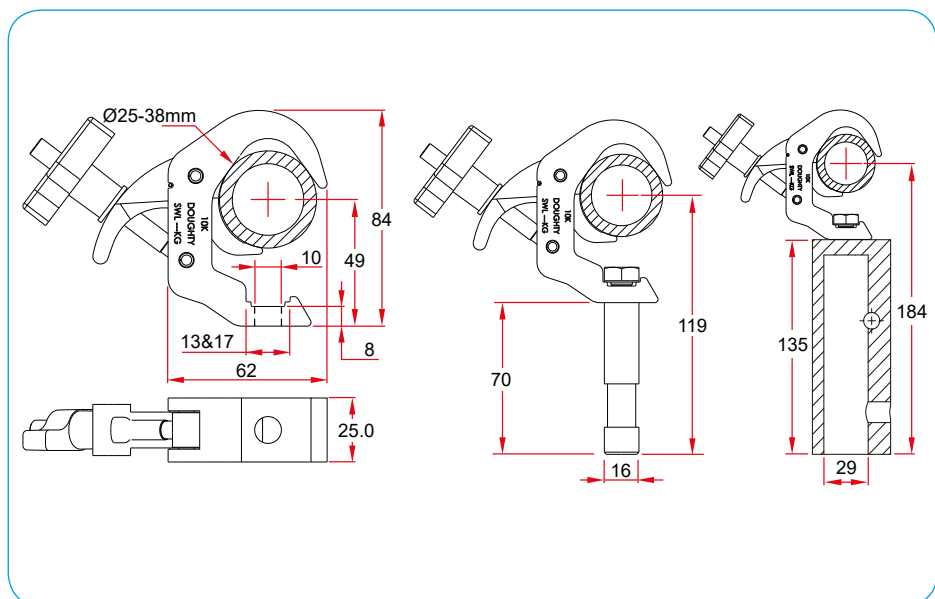
T58156 - Black

T58161 - Black

WLL	40kg
Weight	0.20kg
Hand Tight Only	

WLL	40kg
Weight	0.25kg
Hand Tight Only	

WLL	40kg
Weight	0.71kg
Hand Tight Only	



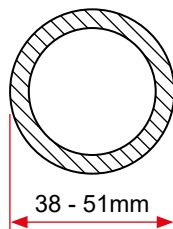
Quick Trigger® Clamps

The design of the Doughty Quick Trigger Clamp gives a high degree of safety by allowing one person to hang heavy luminaires and fixtures. The spring loaded jaws stay open and automatically close with the weight of the object being hung, leaving both hands free to lift and position the load.

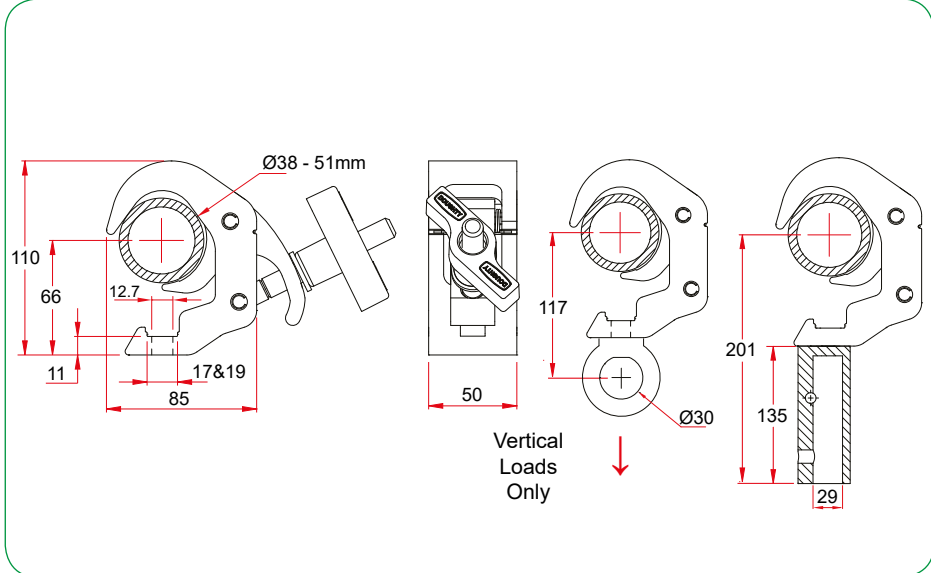
The base of the clamp is slotted to hold either an M10 or M12 bolt head or nut captive without turning.

Main features:

- WLL 250kg
- TÜV approval
- Captive M10 or M12 bolt
- Fits 38 - 51mm diameter tubes
- High tensile aluminium
- Available in polished aluminium or black powder coated



Standard Clamp		Hook Clamp		Hanging Clamp		TV Clamp	
T58200 - Silver		T58205 - Silver		T58215 - Silver			
T58201 - Black		T58206 - Black		T58216 - Black			
WLL 250kg		WLL 250kg		WLL 250kg		WLL 200kg	
Weight 0.76kg		Weight 0.84kg		Weight 0.97kg		Weight 1.16kg	
Hand Tight Only		Hand Tight Only		Hand Tight Only		Hand Tight Only	

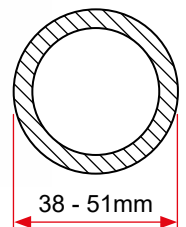


Slimline Quick Trigger[®] Clamps

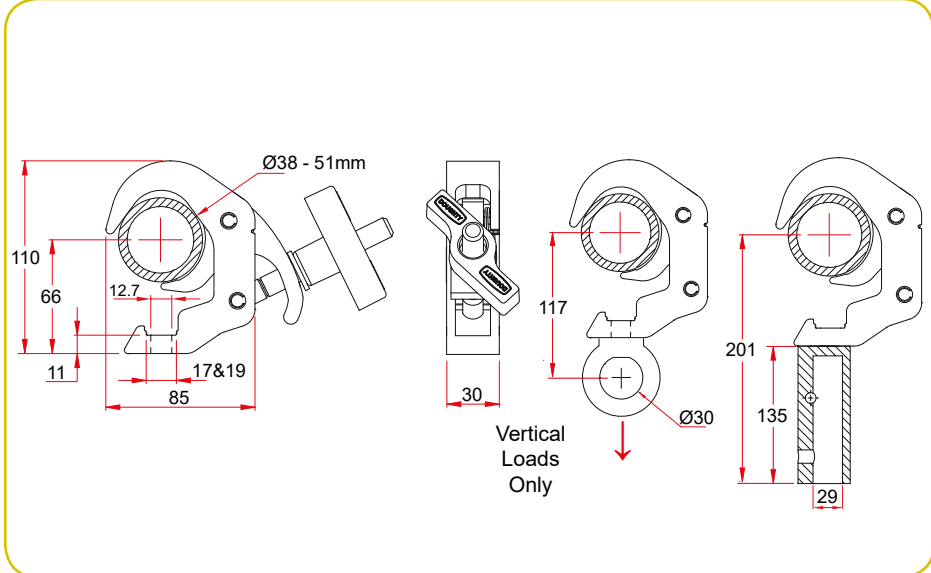
With all the great features of the Standard Quick Trigger Clamps, the Slimline Quick Trigger range is 30mm wide, allowing these clamps to be used between truss webs. A key feature of this clamp is the ability to fit tube diameters between 38 & 51mm.

Main features:

- WLL 100kg
- TÜV approval
- Captive M10 or M12 bolt
- Fits 38 - 51mm diameter tubes
- High tensile aluminium
- Available in polished aluminium or black powder coated



Standard Clamp		Hook Clamp		Hanging Clamp		TV Clamp	
							
T58300 - Silver		T58305 - Silver		T58315 - Silver			
							
T58301 - Black		T58306 - Black		T58316 - Black		T58340 - Silver	
							
WLL	100kg	WLL	100kg	WLL	100kg	WLL	100kg
Weight	0.49kg	Weight	0.57kg	Weight	0.62kg	Weight	0.70kg
Hand Tight Only		Hand Tight Only		Hand Tight Only		Hand Tight Only	



Titan Quick Trigger[®] Clamps

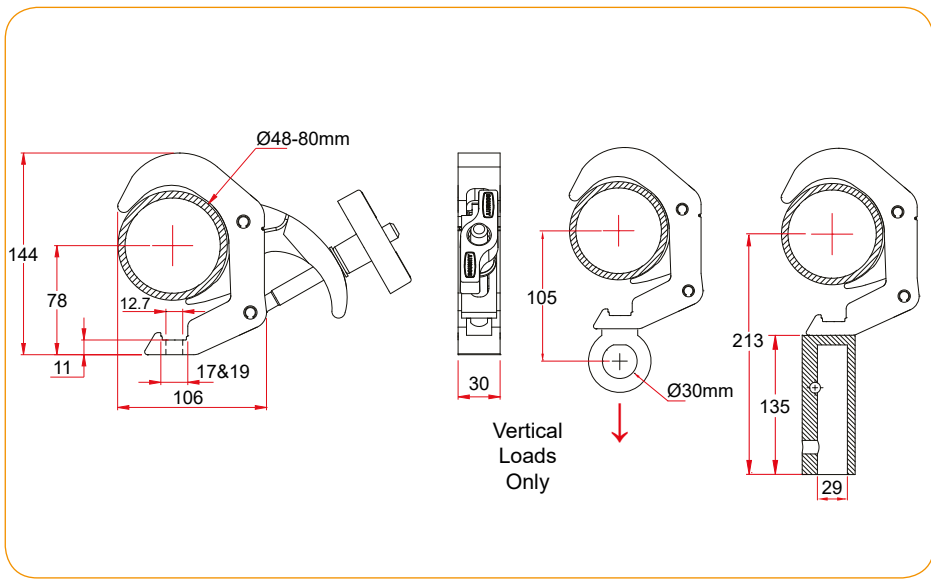
The Titan Quick Trigger range of clamps has been designed to fit tubes with larger diameters between 48 & 80mm. This is the largest high tensile aluminium clamp in our range.

Main features:

- WLL 100kg
- TÜV approval
- Captive M10 or M12 bolt
- Fits 48 - 80mm diameter tubes
- High tensile aluminium
- Available in polished aluminium or black powder coated



Standard Clamp	Hook Clamp	Hanging Clamp	TV Clamp
	 M12 x 50		
T58500 - Silver	T58505 - Silver	T58515 - Silver	
	 M12 x 50		T58540 - Silver
T58501 - Black	T58506 - Black	T58516 - Black	T58541 - Black
WLL 100kg	WLL 100kg	WLL 100kg	WLL 100kg
Weight 0.69kg	Weight 0.77kg	Weight 0.88kg	Weight 1.24kg
Hand Tight Only	Hand Tight Only	Hand Tight Only	Hand Tight Only



Space Savers

The Space Saver enables a clamp or Spigot to be permanently fitted to a luminaire or projector etc and folded into a storage position to save space and time.

The clamps etc are not lost because they stay on the luminaire.

The Space Saver Omega is available in different sizes to fit most major manufacturers equipment.

Manufactured from high tensile aluminium.

Powder Coated Black.



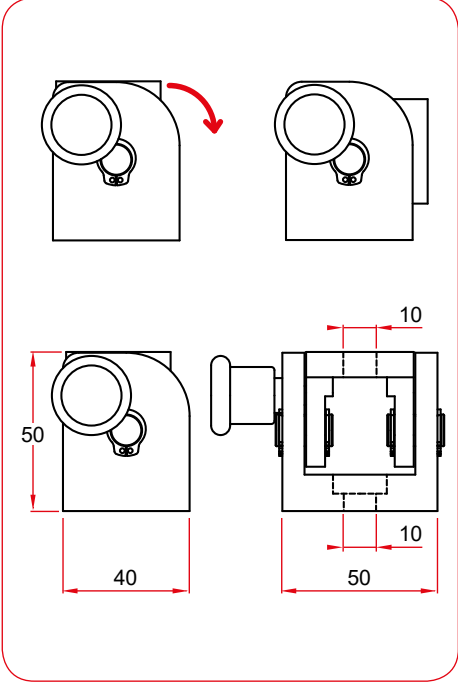
Space Saver



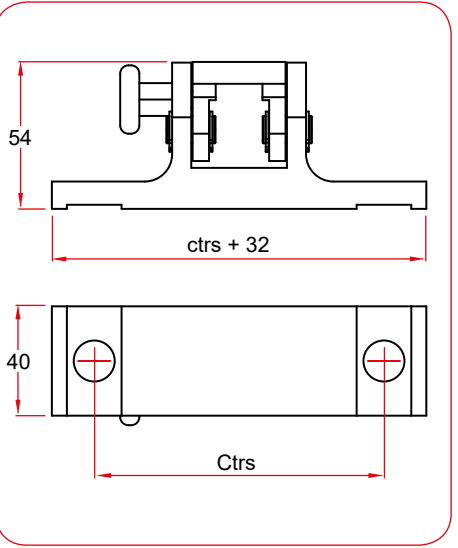
Space Saver Omega



T85850



T85865	Chauvet	142 Ctrs
T85870	Clay Paky	125 Ctrs
T85880	Martin	106 Ctrs
T85890	Robe	140 Ctrs



Speciality Couplers

Side Entry Doughty Clamp



Slimline Side Entry Doughty Clamp



T58780 - Silver

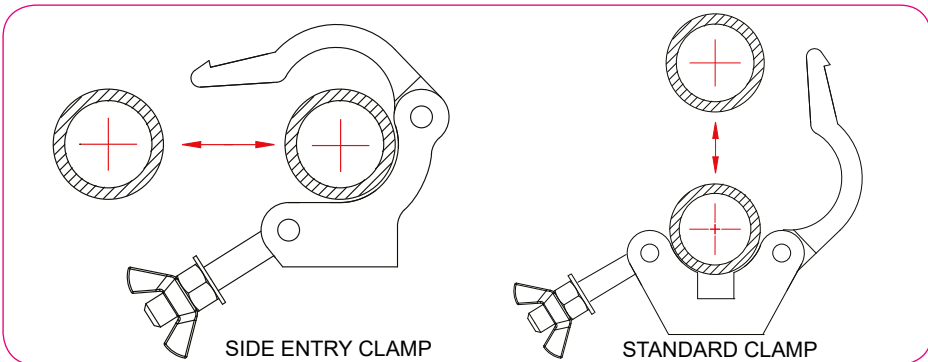
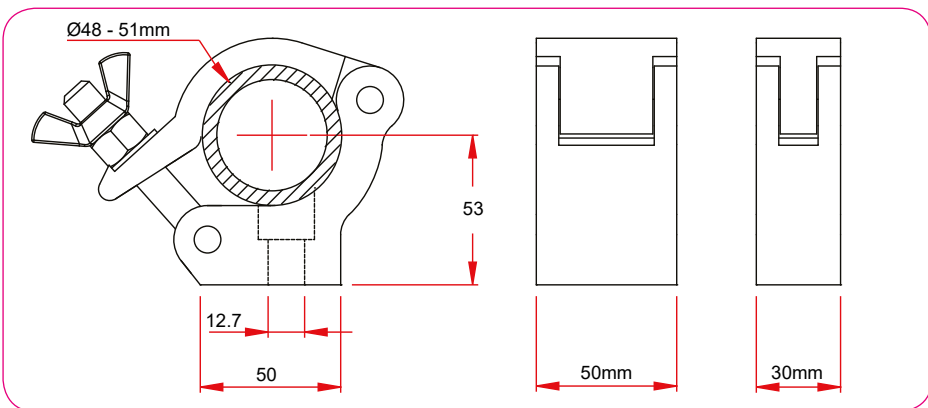
T58782 - Black

WLL	750kg
Weight	0.56kg
Max Torque	30Nm

T58781 - Silver

T58783 - Black

WLL	500kg
Weight	0.36Kg
Max Torque	30Nm



Barrel Socket Clamp



G1115 - Silver

G111501 - Black

WLL	250kg
Weight	0.93kg
Hand Tight Only	

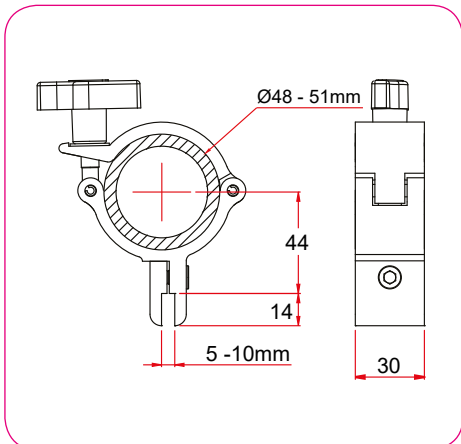
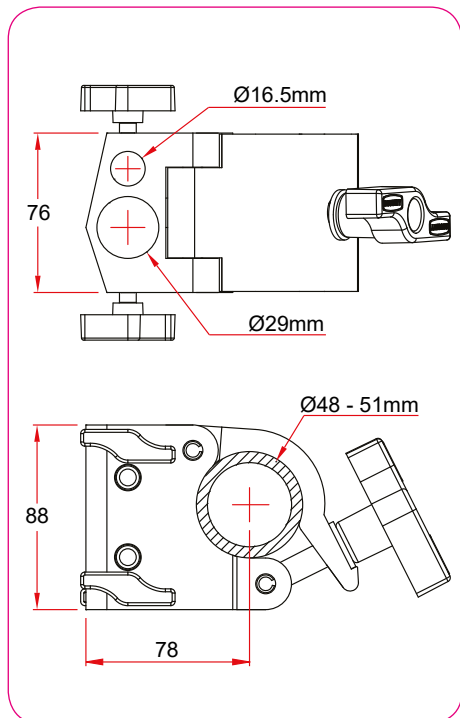
Super Lightweight Panel Clamp



T58130 - Silver

T5813001 - Black

WLL	N/A
Weight	0.16kg
Hand Tight Only	



Locking Elbows

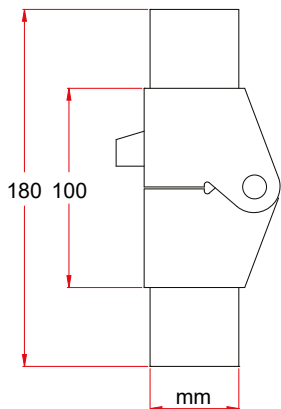


T58790 - 47mm

T58791 - 44mm

T58792 - 41.5mm

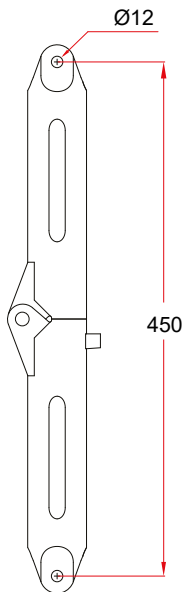
T58793 - 39.5mm



Long Locking Elbow Assy



T58795



Claw Clamps



T58756 - Ø48 x 47mm

T58757 - Ø48 x 44mm

T58758 - Ø48 x 41.5mm

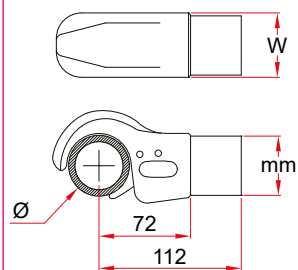
T58759 - Ø48 x 39.5mm

T58760 - Ø51 x 47mm

T58761 - Ø51 x 44mm

T58762 - Ø51 x 41.5mm

T58763 - Ø51 x 39.5mm



Finial Coupler



T58735 - 47mm Swivel

T58736 - 44mm Swivel

T58738 - 41.5mm Swivel

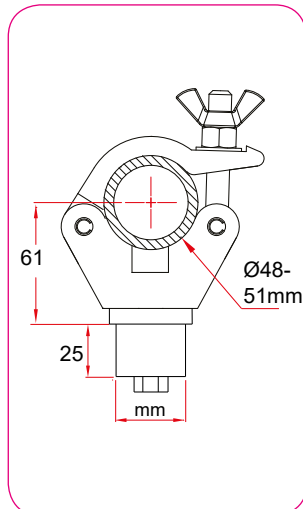
T58739 - 39.5mm Swivel

T58740 - Ø47mm Fixed

T58741 - Ø44mm Fixed

T58743 - 41.5mm Fixed

T58744 - 39.5mm Fixed



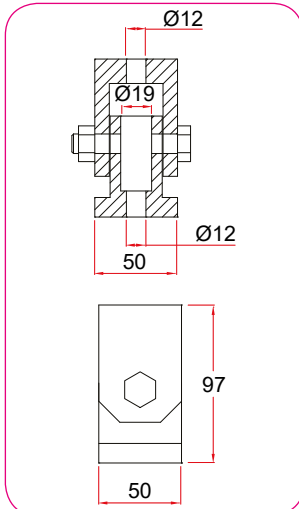
Pivot Hinge Assembly



T57249



T57250 c/w with Clamps



Round Shank Pivot Plug

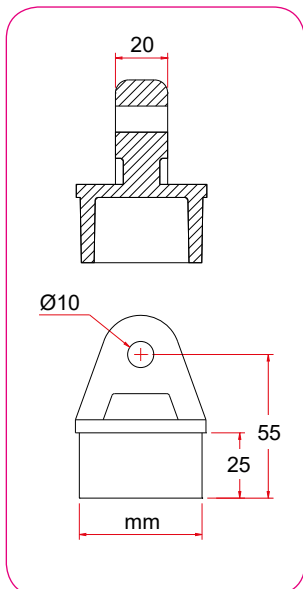


T58750 - 47mm

T58751 - 44mm

T58753 - 41.5mm

T58754 - 39.5mm



Round Shank Foot Casting



- T58745 - 47mm
- T58746 - 44mm
- T58748 - 41.5mm
- T58749 - 39.5mm

Round Shank Knuckle Joint

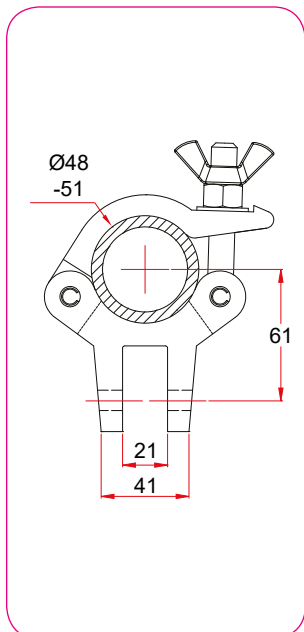
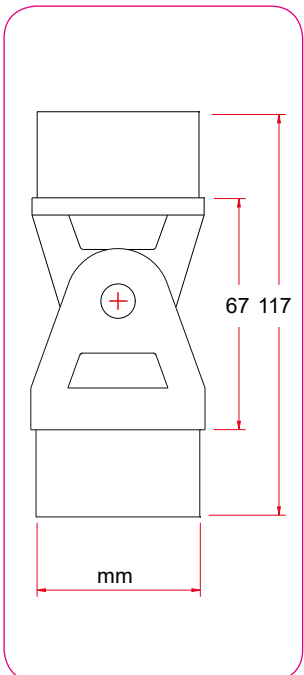
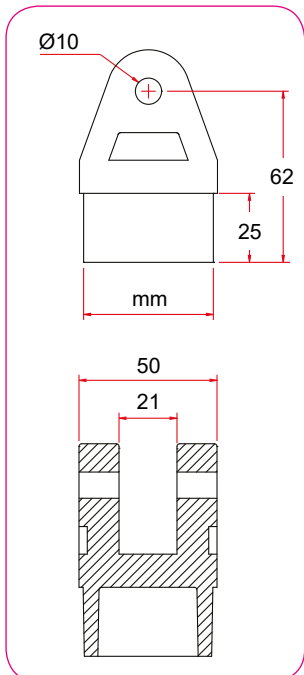


- T58730 - 47mm
- T58731 - 44mm
- T58733 - 41.5mm
- T58734 - 39.5mm

Stabiliser Coupler



- T58720 Clamp Only
- T58725 - 47mm
- T58726 - 44mm
- T58728 - 41.5mm
- T58729 - 39.5mm

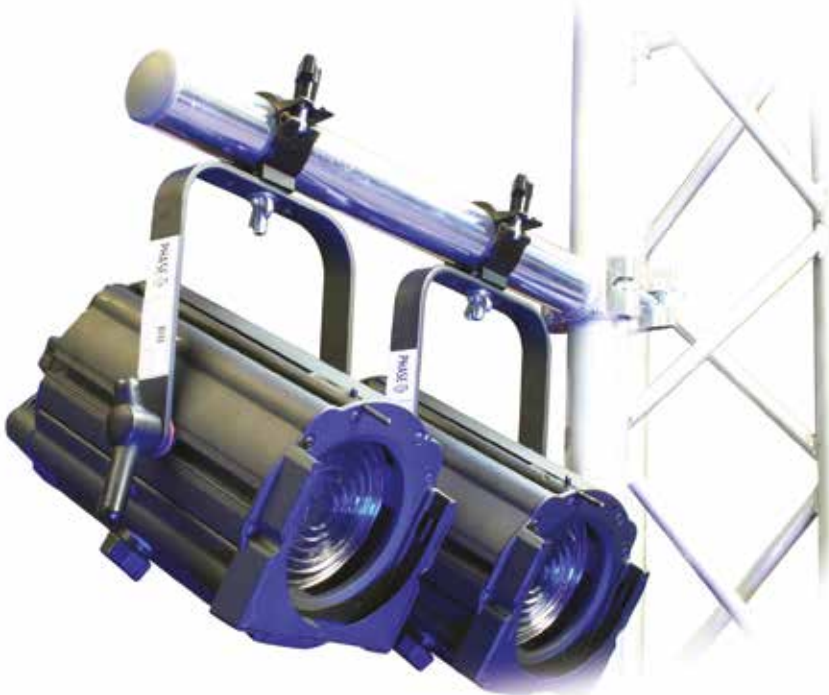
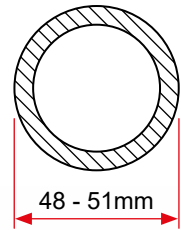


Pipe to Pipe Couplers & Boom Arms

Doughty Engineering manufactures a large range of aluminium Boom Arms and Pipe to Pipe Couplers. Designed to fit 48 - 51mm tubes, these products are ideally suited to work with aluminium trusses and standard scaffold type bars.

Main features:

- Fits 48 - 51mm diameter tubes
- High tensile aluminium
- Special lengths available on request



Parallel Pipe to Pipe Coupler

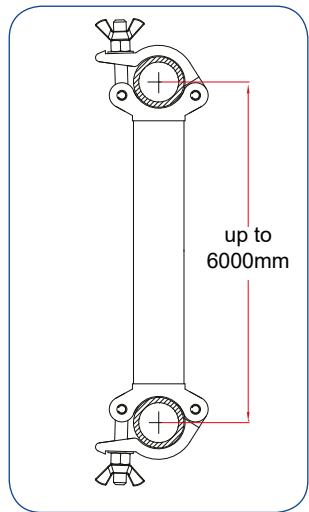
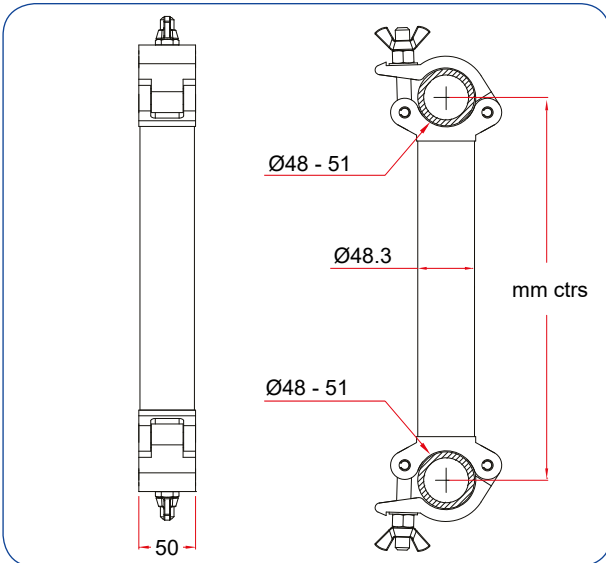
90° Pipe to Pipe Coupler



T57340	250mm	1.25kg
T57345	500mm	1.70kg
T57350	750mm	2.06kg
T57355	1000mm	2.50kg

T57360	250mm	1.25kg
T57365	500mm	1.70kg
T57370	750mm	2.06kg
T57375	1000mm	2.50kg

WLL 200Kg Max Torque 30Nm
Vertical Loads Only



Special Lengths Made to Order

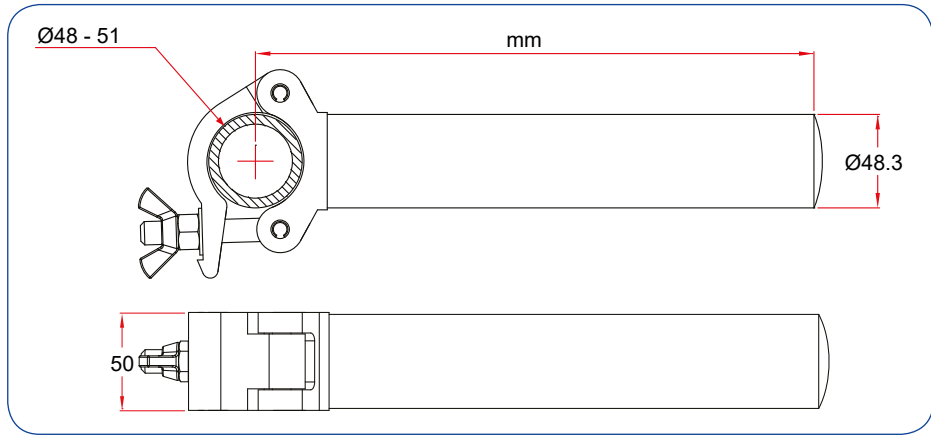
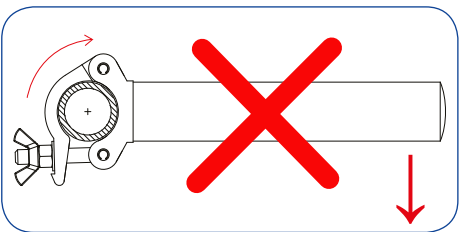
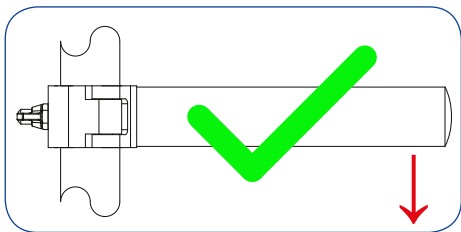
Boom Arms



T57310	250mm	Silver	WLL 100Kg	0.84Kg
T57311	250mm	Black	WLL 100Kg	0.84Kg
T57315	500mm	Silver	WLL 50Kg	1.24Kg
T57316	500mm	Black	WLL 50Kg	1.24Kg
T57317	750mm	Silver	WLL 37Kg	1.65Kg
T57318	750mm	Black	WLL 37Kg	1.65Kg
T57320	1000mm	Silver	WLL 25Kg	2.50Kg
T57321	1000mm	Black	WLL 25Kg	2.50Kg

Max Torque 30Nm

See Diagrams for Load Direction



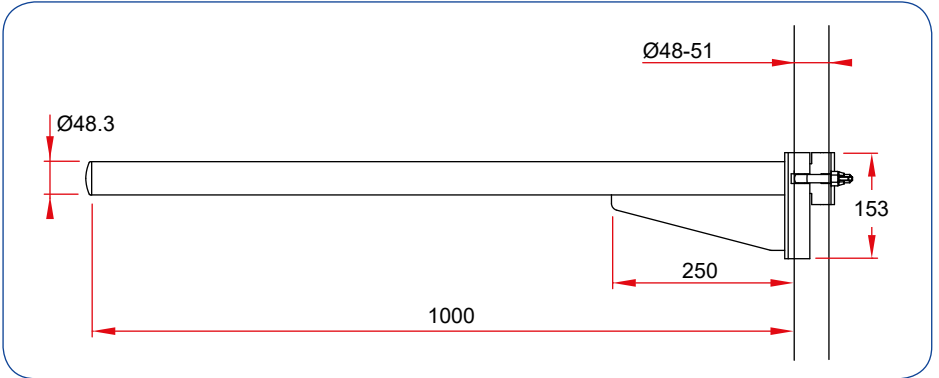
Heavy Duty Boom Arm



T57335 - Silver

T57336 - Black

WLL	50Kg	Max Torque	30Nm
-----	------	------------	------



Braced Boom Arm - 1000mm



T57325 - Silver

T5732501 - Black

WLL	100kg
Weght	5.0kg
Max Torque	30Nm

The Braced Boom Arm is ideal for flying heavy luminaires such as moving heads from vertical bars or trusses. The diagonal brace eliminates movement or flexing in the boom arm.

Manufactured with two articulating joints, most mounting situations can be accommodated.

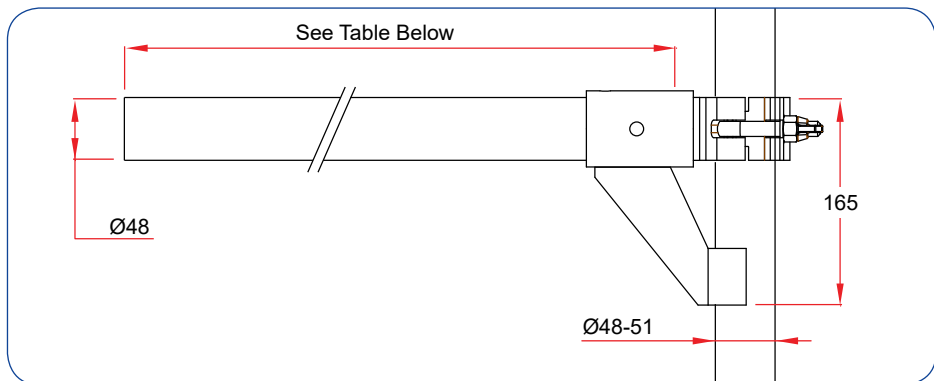
Special sizes can be made to suit most applications.

Scaff Boom Arm



T57326 - Black

WLL	See Table	Max Torque	30Nm
-----	-----------	------------	------



Aluminium Barrel Ø48.3 x 7 SWG (6082 T6) (as supplied by Doughty Engineering Ltd)

Length	WLL	Deflection	Max Torque
250mm	200kg	4.0mm	30Nm
500mm	100kg	8.0mm	30Nm
750mm	75kg	14.0mm	30Nm
1000mm	50kg	21.0mm	30Nm

Galvanised Steel Tube Ø48.3 x 3.2 (EN 10255) (as supplied by Doughty Engineering Ltd)

Length	WLL	Deflection	Max Torque
250mm	200kg	3.0mm	30Nm
500mm	100kg	6.0mm	30Nm
750mm	75kg	8.0mm	30Nm
1000mm	50kg	11.0mm	30Nm

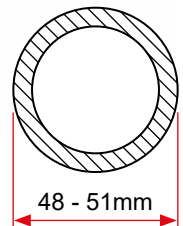
Any tubes/barrels used other than listed above must be subjected to its own load test by a competent user.

Truss Adaptors

Truss Adaptors enable triangular and square truss sections to be mounted to any of the Doughty winch stand range. This system provides the means to lift truss sections into place safely. The range of Hanging Truss Adaptors have been designed to suspend truss sections with a chain hoist.

Main features:

- Provides a safe and secure means of lifting truss
- Adjustable to suit most truss sizes
- High tensile 6082-T6 aluminium couplers
- High quality silver powder coated



Swivel Truss Plate



T55704 - 150-250mm Ctrs

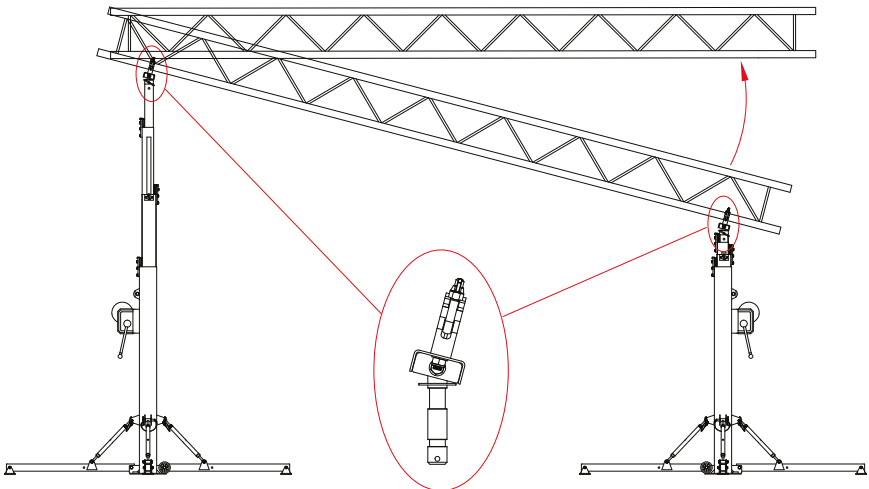
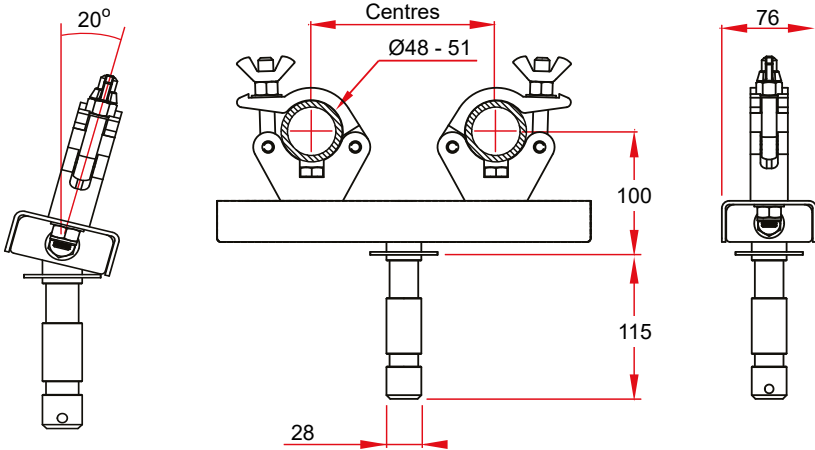
T55705 - 200-400mm Ctrs

WLL 200kg

Max Torque 30Nm

Suitable for all triangular and square truss sections.

The Swivel Truss Plate allows one person to rig a truss between two winch stands. Each stand can be raised individually until the required height is achieved.



Fixed Truss Adaptor



T57210 - 150-250mm Ctrs

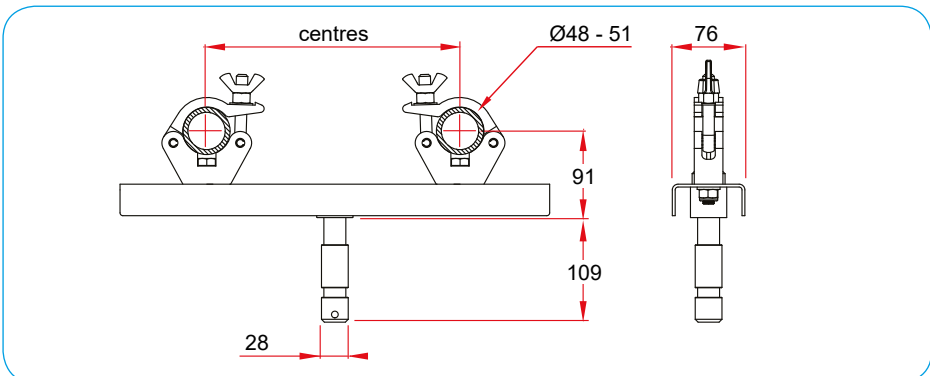
T57211 - 200-400mm Ctrs

WLL 200kg

Max Torque 30Nm

Suitable for all triangular and square truss sections.

The Fixed Truss Adaptor provides a firm fixing for more elaborate truss constructions. They are supplied with two slimline couplers.



Ladder Truss Adaptor



T58700 - 150-250 Ctrs

T58701 - 200-400 Ctrs

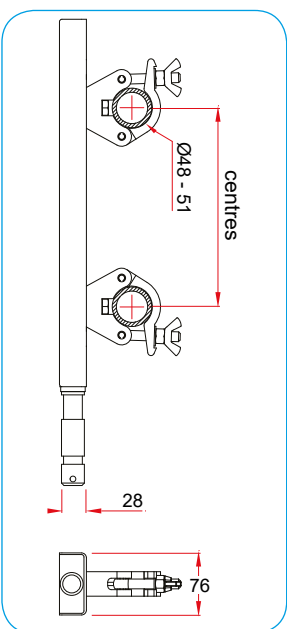
WLL 200kg

Max Torque 30Nm

Suitable for all ladder truss sections.

The Ladder Truss Adaptor ensures the truss is in the optimum position for maximum loading.

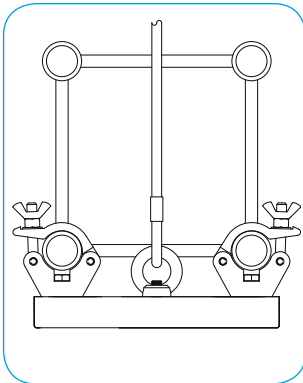
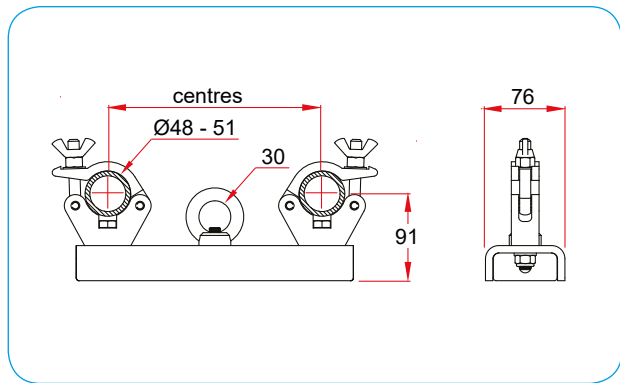
Supplied with two slimline couplers.



Hanging Truss Adaptor



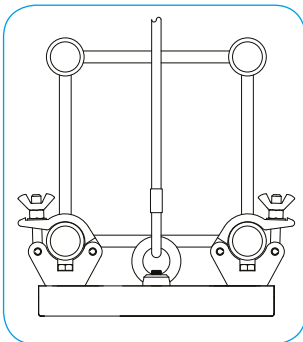
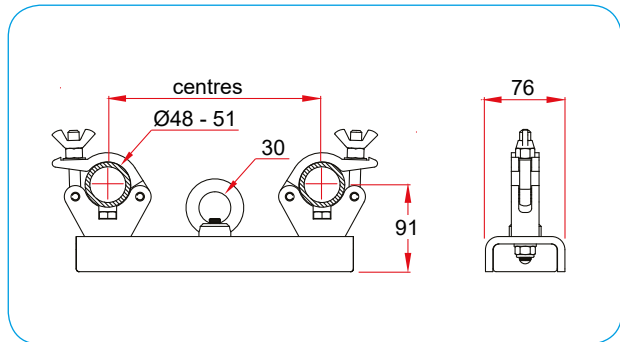
T57214 - 150-250mm Ctrs	
T57219 - 200-400mm Ctrs	
WLL	200kg
Max Torque	30Nm



Heavy Duty Hanging Truss Adaptor



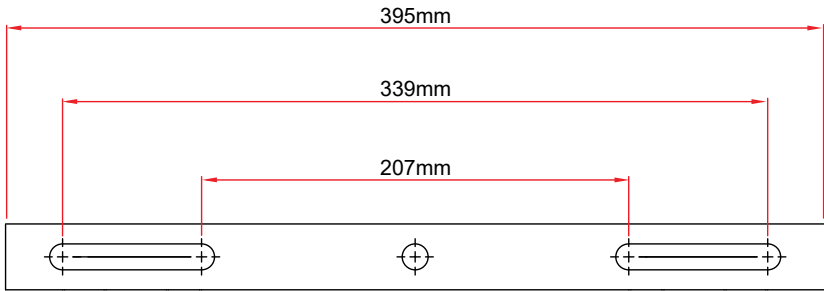
T55710 - 150-250mm Ctrs	
T55715 - 200-400mm Ctrs	
WLL	500kg
Max Torque	30Nm



Solid Truss Adaptors

Main features:

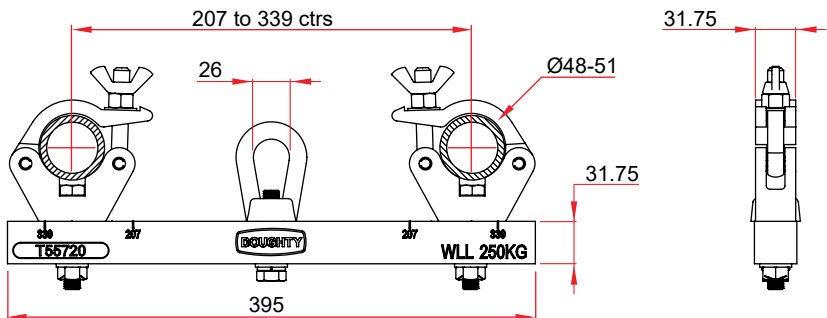
- Provides a safe and secure means of lifting truss
- Slotted to allow minor adjustments
- High tensile solid 6082-T6 aluminium
- High quality powder coated



Solid Hanging Truss Adaptor

T55720	Silver
T55725	Black
WLL	250kg
Weight	2.30kg

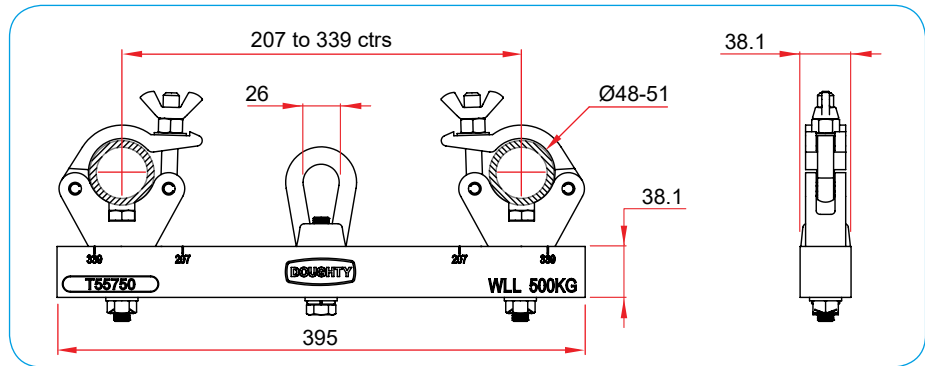
250kg





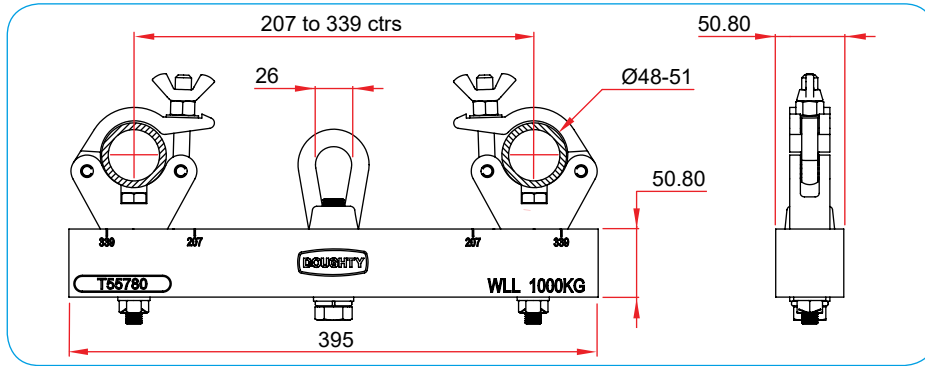
Solid Hanging Truss Adaptor	
T55750	Silver
T55755	Black
WLL	500kg
Weight	2.80kg

500kg



Solid Hanging Truss Adaptor	
T55780	Silver
T55785	Black
WLL	1000kg
Weight	4.00kg

1000kg

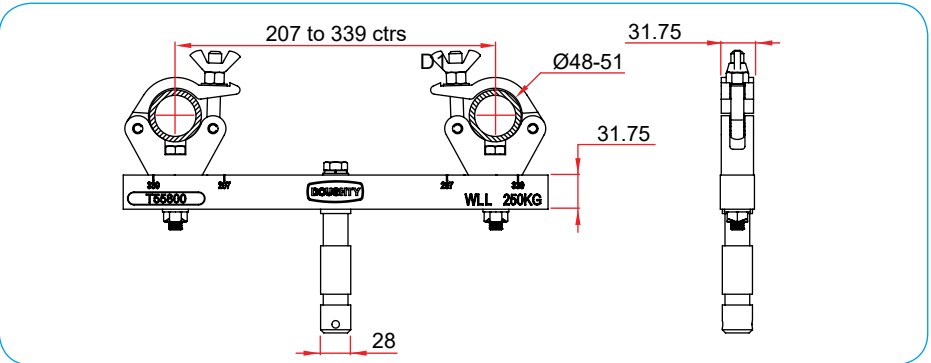




T55800 - Silver
T55805 - Black

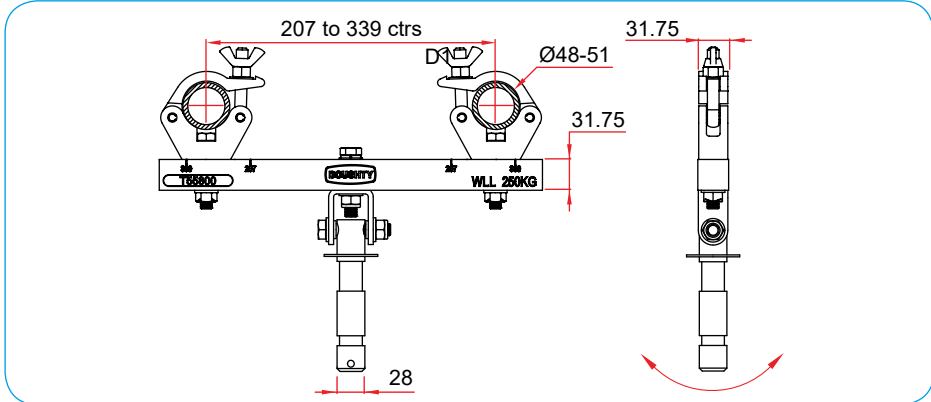
Solid Fixed Truss Adaptor	
T55800	Silver
T55805	Black
WLL	250kg
Weight	2.20kg

250kg



Solid Swivel Truss Adaptor	
T55810	Silver
T55815	Black
WLL	250kg
Weight	3.00kg

250kg



Modular Rigging System

The modular rigging system uses 48mm diameter aluminium barrel in conjunction with a truss style conical coupling.

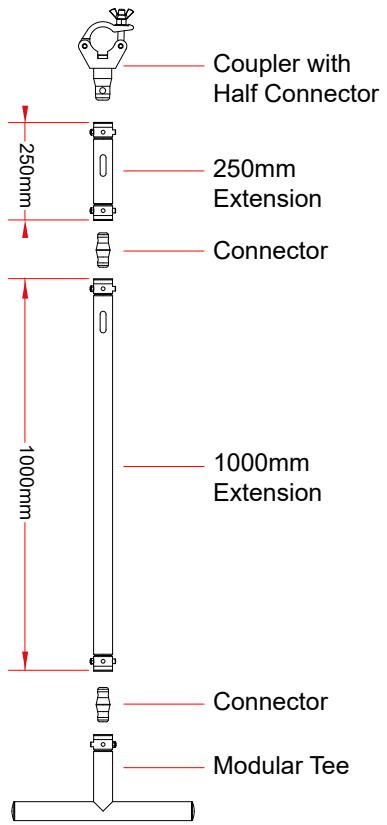
The system is designed as two parts - Modular Drop Arms which are single arms designed to be suspended with a coupler and 'H' Frames, which can be suspended or floor-standing with tank traps.



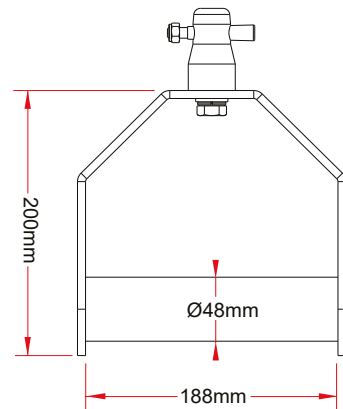


Supplied with Tapered Pins

Modular Rigging Extensions			WLL
T45775	250mm	Silver	100kg
T45776	250mm	Black	100kg
T45780	500mm	Silver	100kg
T45781	500mm	Black	100kg
T45785	1000mm	Silver	100kg
T45786	1000mm	Black	100kg
T45790	2000mm	Silver	100kg
T45791	2000mm	Black	100kg



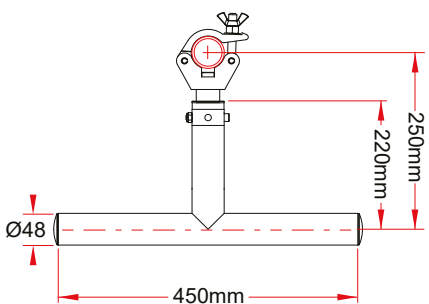
Supplied with Tapered Pin



Modular Stirrup			WLL
T45770	Modular Stirrup	Silver	100kg
T45771	Modular Stirrup	Black	100kg



Supplied with Tapered Pin



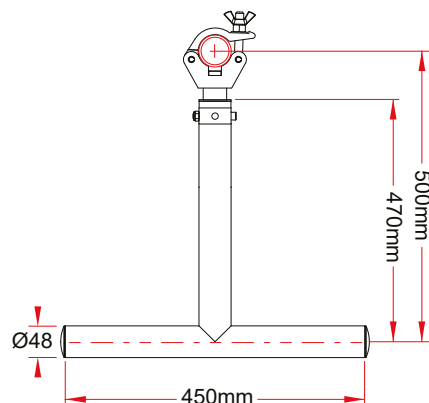
Small Modular Tee

WLL

T45760	Small Modular Tee	Silver	100kg
T45761	Small Modular Tee	Black	100kg



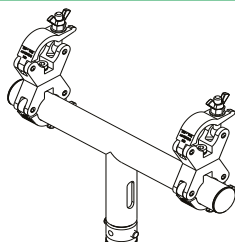
Supplied with Tapered Pin



Large Modular Tee

WLL

T45765	Large Modular Tee	Silver	100kg
T45766	Large Modular Tee	Black	100kg

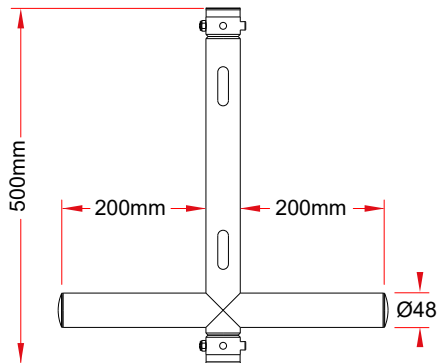


All Modular Rigging products are supplied with a slot for a secondary safety where applicable.

Modular Tee's can be used at the top of an assembly to create a more rigid suspension point.



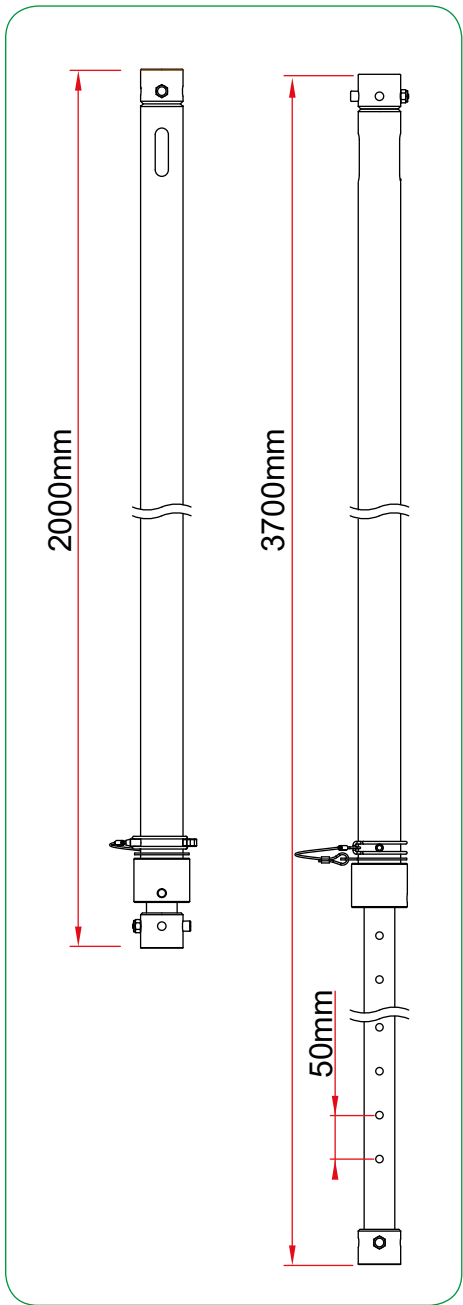
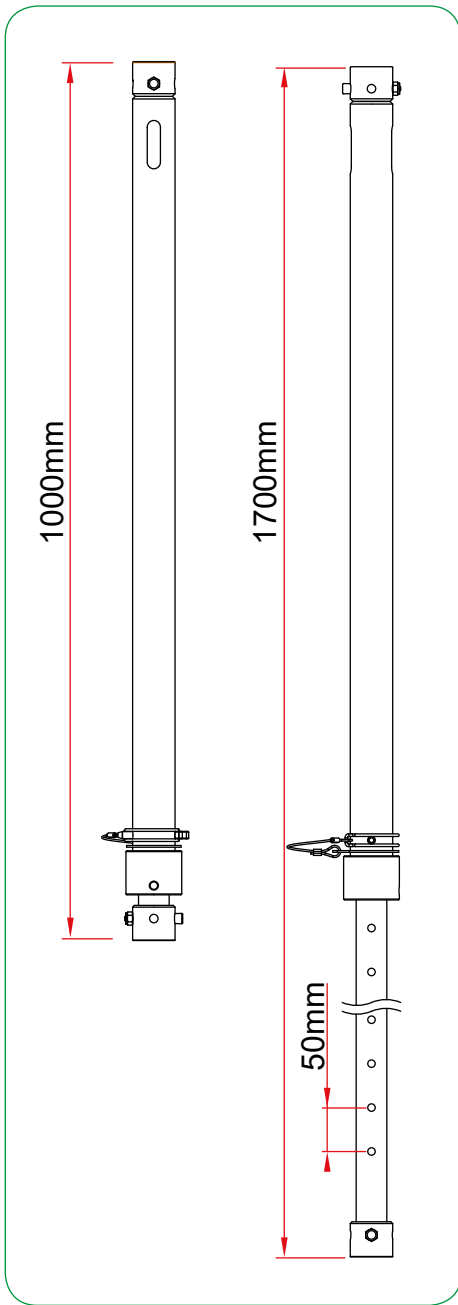
Supplied with Tapered Pins



Modular Tee with Thru Connector

WLL

T45767	Modular Tee with Thru Connector	Silver	100kg
T45768	Modular Tee with Thru Connector	Black	100kg



Adjustable Extension 1.0 - 1.7m

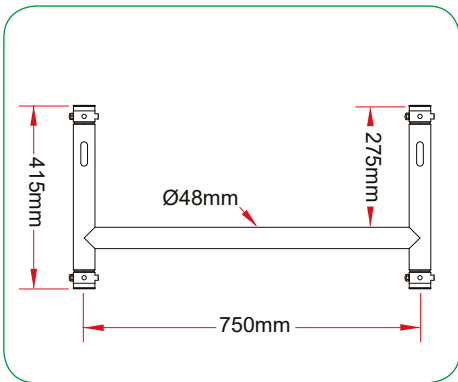
T45795	Silver	100kg
T45796	Black	100kg

Adjustable Extension 2.0 - 3.7m

T45797	Silver	100kg
T45798	Black	100kg



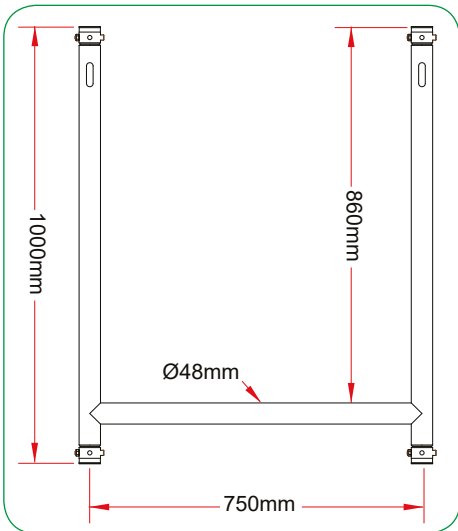
Supplied with Tapered Pins



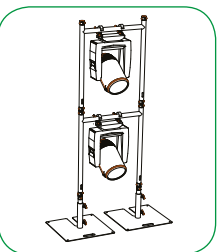
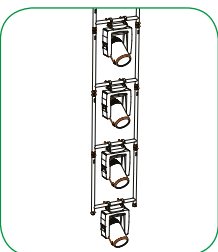
Small 'H' Frame			WLL
T45900	Small 'H' Frame	Silver	200kg
T45901	Small 'H' Frame	Black	200kg



Supplied with Tapered Pins

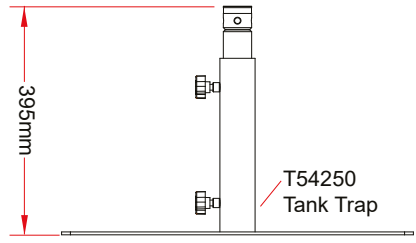


Large 'H' Frame			WLL
T45910	Large 'H' Frame	Silver	200kg
T45911	Large 'H' Frame	Black	200kg



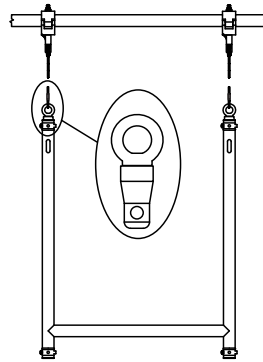


Supplied with Tapered Pin



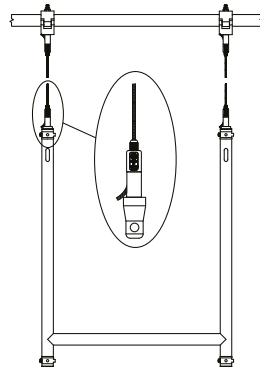
Tank Trap Adaptor

T45757	Tank Trap Adaptor	Silver
T45758	Tank Trap Adaptor	Black



Half Connector with Eye - WLL 100kg

T45745	Half Connector with Eye	Silver
--------	-------------------------	--------



Half Connector with Cable Holder - WLL 80/130kg

T45747	Half Connector fitted with T37653 Cable Holder to suit 4 & 5mm Wire	Silver
--------	---	--------



Sipgot & Half Connector

T45752

fitted with a 28mm Spigot



3 Point Receiver & Half Connector

T45751

accepts 28mm Spigots



35mm Speaker Sipgot & Half Connector

T45837



Connector

T45755



Safety Bond with Quick Link

T45850	650mm - WLL 100kg	Silver
T45851	650mm - WLL 100kg	Black

Safety Bond with Quick Link

T45852	650mm - WLL 200kg	Silver
T45853	650mm - WLL 200kg	Black

These bonds are the optimum length to pass through the safety slot and around a barrel or truss chord when suspended with a clamp/coupler.



Safety Bond with Moving Light Hook

T45855	650mm - WLL 36kg	Silver
T45856	650mm - WLL 36kg	Black

Tapered Pin and Nut

T45756

These bonds have been designed to work with most moving lights. Their length has been calculated to leave minimum slack wire rope.



Doughty Clamp & Half Connector

T45800 Silver

T45801 Black

fits Ø48-51mm WLL 100kg



Low Profile Clamp & Half Connector

T45810 Silver

T45811 Black

fits Ø48-51mm WLL 100kg



Lightweight Clamp & Half Connector

T45815 Silver

T45816 Black

fits Ø48-51mm WLL 100kg



Mammoth Clamp & Half Connector

T45820 Silver

T45821 Black

fits Ø60-63mm WLL 100kg



Trigger Clamp & Half Connector

T45825 Silver

T45826 Black

fits Ø48-51mm WLL 100kg



Quick Trigger Clamp & Half Connector

T45830 Silver

T45831 Black

fits Ø38-51mm WLL 100kg



Titan Clamp & Half Connector

T45835 Silver

T45836 Black

fits Ø48-80mm WLL 100kg

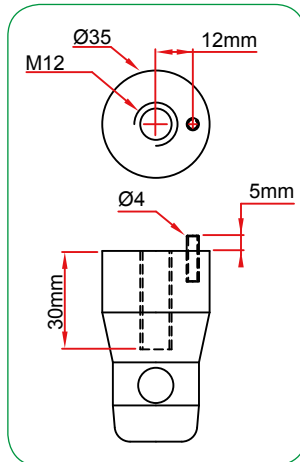


M12 Half Connector

T45750 M12 Half connector

MUST BE USED

WITH ROLL PIN



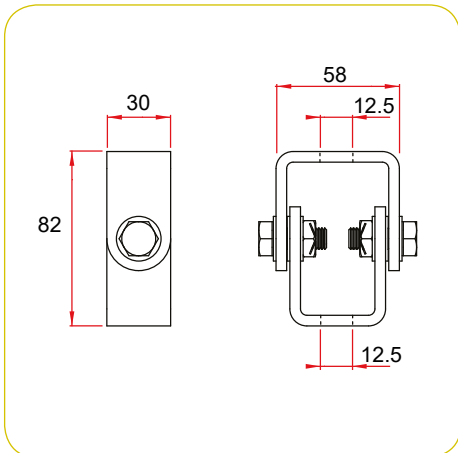
Suspension Clamps

The Doughty range of Suspension Clamps is a range of steel bracketry manufactured predominantly from flat steel bar. This range can be used to suspend truss and tubes as well as flying luminaires from the steel boom arms.

Manufactured and tested in our UK factory, quality is assured.



Universal Joint

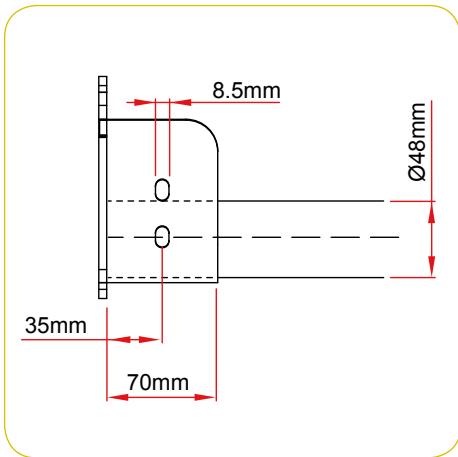


T30410

WLL 100kg

0.38kg

Wall Hanger



T30408

Silver

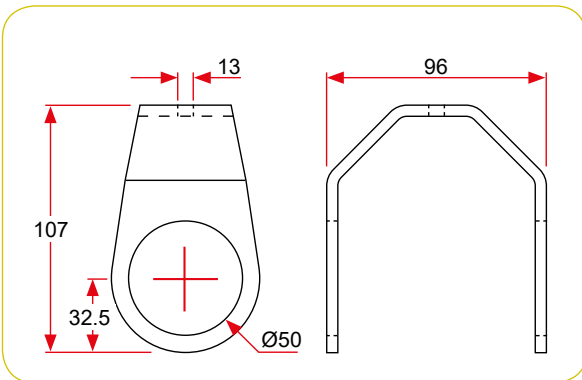
WLL 100kg

T30409

Black

WLL 100kg

Grid Hanger



T30405	Silver	WLL 200kg	0.35kg
T30406	Black	WLL 200kg	0.35kg

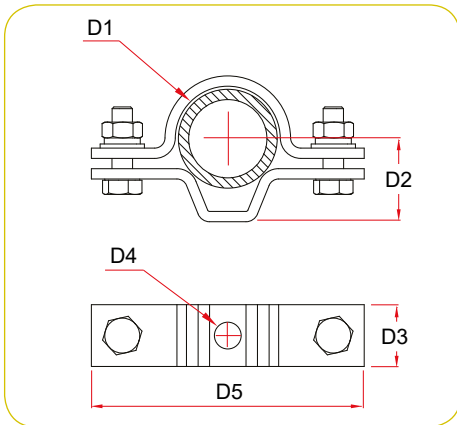
Corner Grid Hanger



T30407	Black	WLL 200kg
--------	-------	-----------

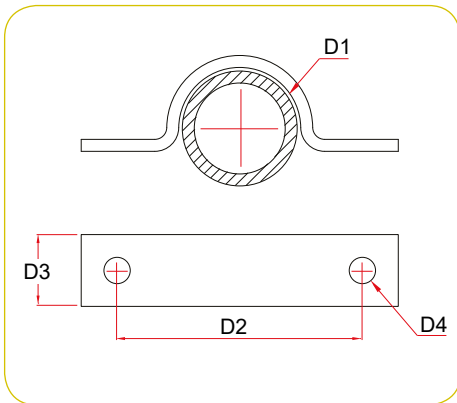
Can be used with T12500 Pipeclamp Elbow and Ø48mm barrel/scaffold tube.

Universal Clamps



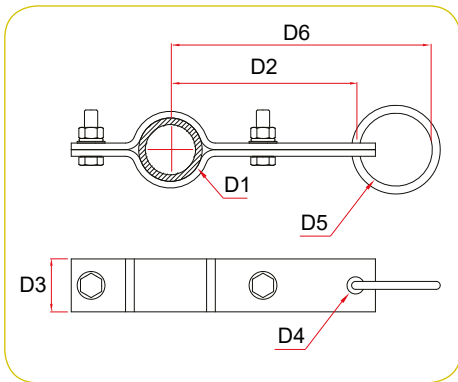
	WLL	D1	D2	D3	D4	D5	kg
T30400	200kg	Ø48mm	40mm	30mm	Ø13mm	135mm	0.43kg
T30404 - Black	200kg	Ø48mm	40mm	30mm	Ø13mm	135mm	0.43kg
T30401	150kg	Ø38mm	30mm	25mm	Ø9mm	115mm	0.30kg

Saddle Clamps



	WLL	D1	D2	D3	D4	kg
T30800	200kg	Ø48mm	102mm	30mm	11mm	0.21kg
T30801 - Black	200kg	Ø48mm	102mm	30mm	11mm	0.21kg
T30804	150kg	Ø38mm	84mm	25mm	8.5mm	0.13kg

Hanging Clamps



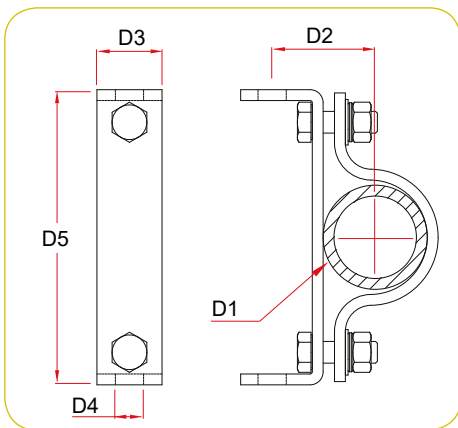
Hanging Clamps (to suit Shackles)

	WLL	D1	D2	D3	D4	kg
T32100	100kg	Ø48mm	140mm	40mm	13mm	0.84kg
T32101	100kg	Ø48mm	140mm	40mm	13mm	0.84kg
T32102	100kg	Ø38mm	85mm	25mm	9mm	0.33kg

Hanging Clamp (with ring)

	WLL	D1	D3	D5	D6	kg
T32000	100kg	48mm	40mm	50mm	200mm	0.86kg
T32001 - Black	100kg	48mm	40mm	50mm	200mm	0.86kg
T32002	100kg	38mm	25mm	40mm	130mm	0.34kg

Stud Hanger



	WLL	D1	D2	D3	D4	D5	kg
T30300	100kg	Ø48mm	48mm	30mm	13mm	160mm	0.50kg

Steel Boom Arms



Boom Arm

T30500 - Silver

T30501 - Black



T30600 - Boom Arm Straight

T30600 - Silver

T30601 - Black



Boom Arm (with safety point)

T31500 - Silver

T31501 - Black



Boom Arm Straight (with safety point)

T31600 - Silver

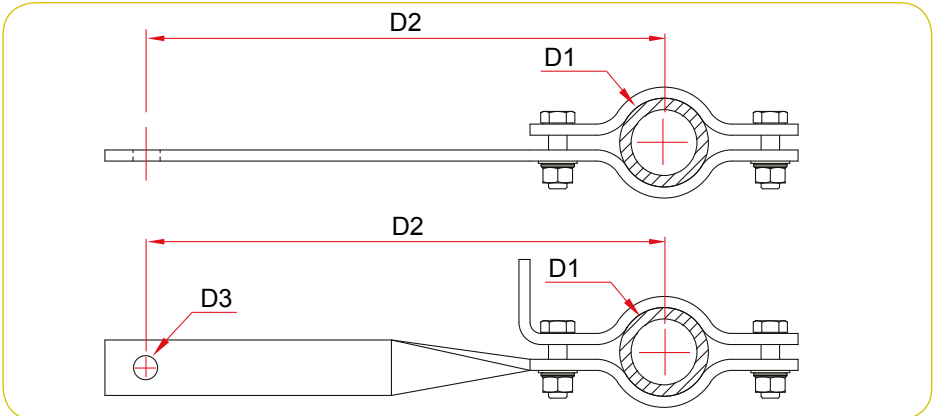
T31601 - Black



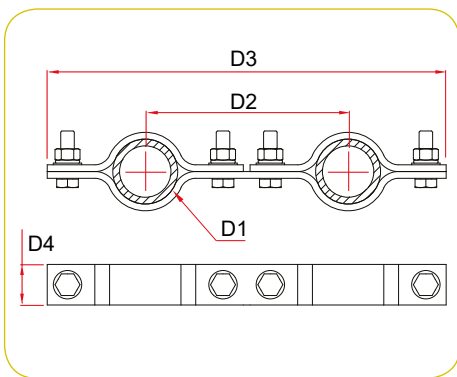
Double Boom Arm Standard

T31700 - Silver

T31701 - Black

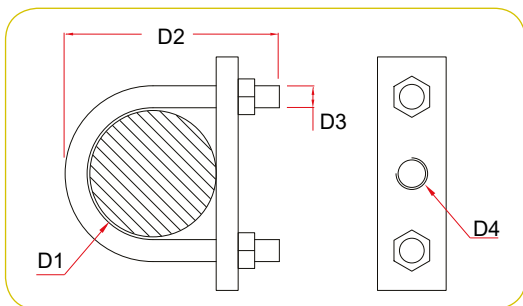


	WLL	D1	D2	D3	kg
T30500/1	12kg	Ø48mm	280mm	13mm	0.83kg
T30600/1	12kg	Ø48mm	280mm	13mm	0.88kg
T31500/1	12kg	Ø48mm	280mm	13mm	0.83kg
T31600/1	12kg	Ø48mm	280mm	13mm	0.88kg
T31700/1	12kg	Ø48mm	280mm x 2	13mm	1.11kg



Pipe to Pipe Clamps

	WLL	D1	D2	D3	D4	kg
T30700	220kg	Ø48mm	150mm	300mm	30mm	0.83kg
T30900	220kg	Ø48mm	225mm	375mm	30mm	0.97kg
T31000	220kg	Ø48mm	300mm	450mm	30mm	1.10kg



"U" Bolts with Threaded Plate

	WLL	D1	D2	D3	D4	kg
T32400	140kg	Ø32mm	62mm	M8	M10	0.15kg
T32500	140kg	Ø32mm	62mm	M8	M12	0.15kg
T33400	140kg	Ø48mm	83mm	M8	M10	0.19kg
T33500	140kg	Ø48mm	83mm	M8	M12	0.19kg



'U' Bolts	
T56500	32mm
T56600	48mm

Arches for "U" Bolt	
T56800	To suit 48mm "U" Bolts
T56900	"U" Bolt Assembly (T56600 + T56800)

Extension Plate	
T33600	30 x 5 x 265mm

Girder Clamps

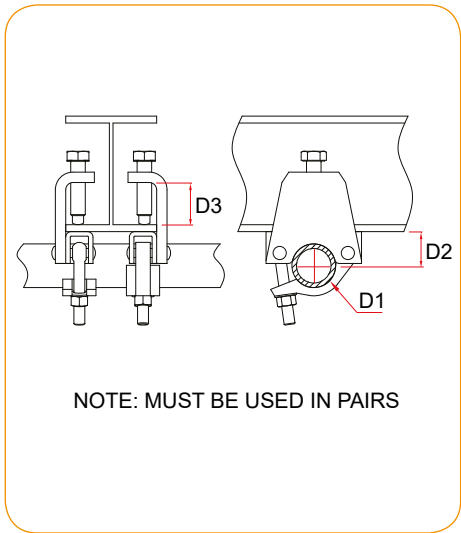
The Doughty Girder Clamp range is a comprehensive range of steel bracketry designed specifically to mount on to structural girders/beams often used to suspend loads.



Please note: All parts shown with a WLL are tested under factory conditions in a horizontal plane with the load straight down unless specified otherwise. For parts used in a different orientation we would strongly advise that they are tested after installation by a competent person & a WLL issued by them.

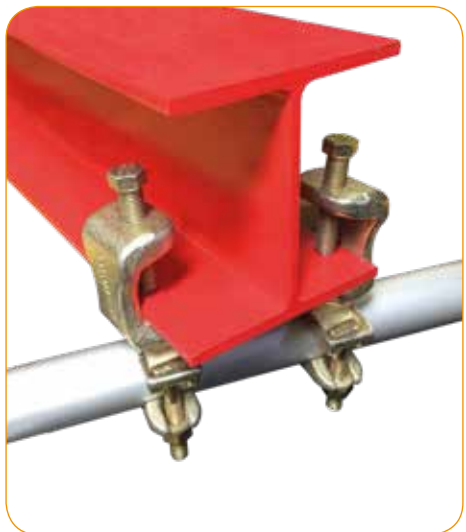
Always remember - Any rigging product or combination of rigging products is only as strong as its weakest, or lowest WLL rated, parts.

Gravlock Couplers



Gravlock Coupler - Pair

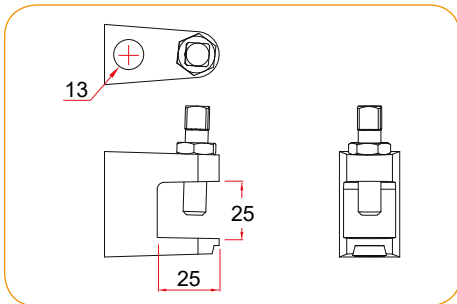
	WLL	D1	D2	D3	kg
T29497	600kg	Ø48mm	38mm	0 - 45mm	3.00kg



Gravlock Swivel Coupler - Pair

	WLL	D1	D2	D3	kg
T29498	600kg	Ø48mm	58mm	0 - 45mm	3.00kg

Lindapter Flange Clamp

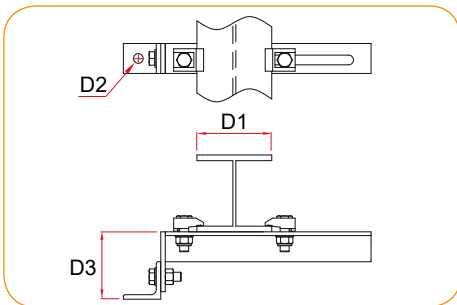


T29700

WLL 300kg

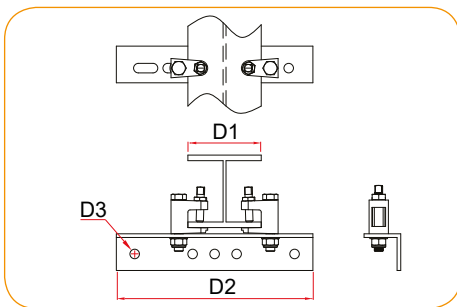
0.20kg

Girder Clamp with End Bracket



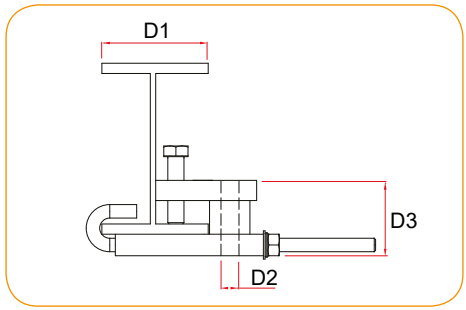
	WLL	D1	D2	D3	kg
T29804	60kg	100 - 180mm	13mm	90mm	1.36kg
T29805	60kg	180 - 280mm	13mm	90mm	1.64kg
T29806	60kg	240 - 330mm	13mm	90mm	1.66kg

Adjustable Girder Clamp



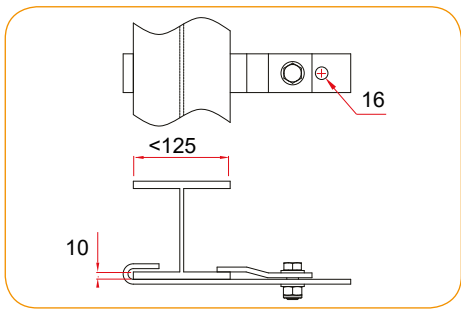
	WLL	D1	D2	D3	kg
T29500	500kg	75 - 150mm	268mm	13mm	1.19kg
T29600	500kg	150 - 300mm	445mm	13mm	2.0kg

Adjustable Girder Clamp Light Duty



	WLL	D1	D2	D3	kg
T29800	250kg	100 - 140mm	13mm	56mm	1.19kg
T29801	250kg	150 - 190mm	13mm	56mm	1.30kg

Pressed Girder Bracket

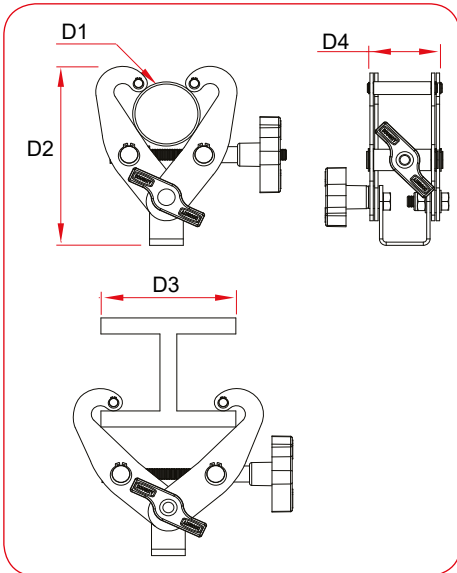


T29810			WLL 3kg		0.64kg
--------	--	--	---------	--	--------

Scissor Clamps

The Scissor Clamp is available in two sizes, Light Duty with a WLL of 100kg & Heavy Duty with a WLL of 250kg. This clamp has been designed to clamp to beams and tubes and has a black powder paint finish.

Scissor Clamps

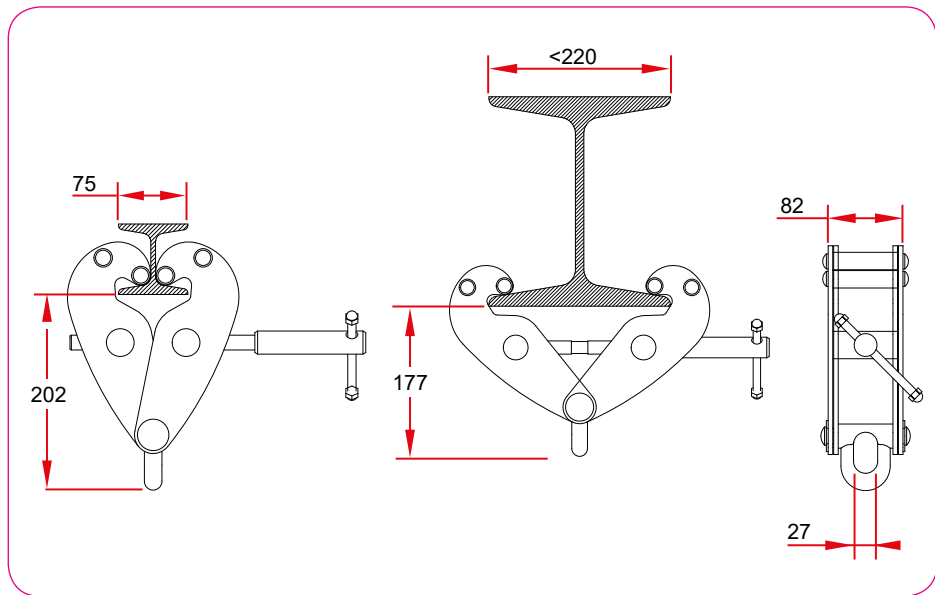


	WLL	D1	D2	D3	D4	kg
T29850	100kg	48 - 60mm	170mm	<120mm	62mm	1.40kg
T29860	250kg	48 - 60mm	170mm	<120mm	74mm	1.90kg

Beam Clamp

An all steel clamp for attaching to steel beams providing a quick versatile rigging point. This beam clamp is manufactured with a forged steel attachment eye.

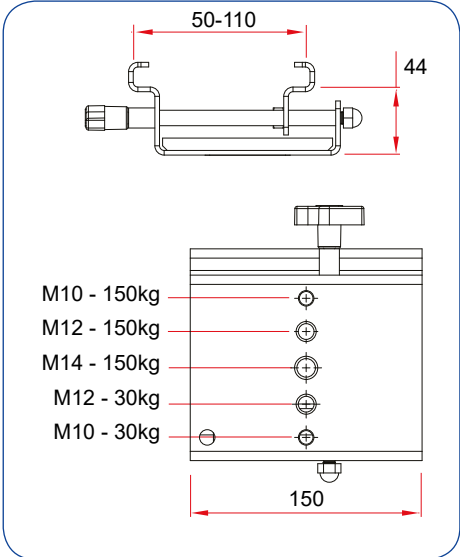
Beam Clamp



T29870

WLL 1000kg

5.0kg

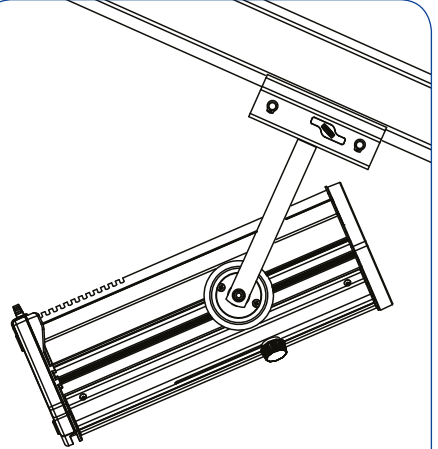
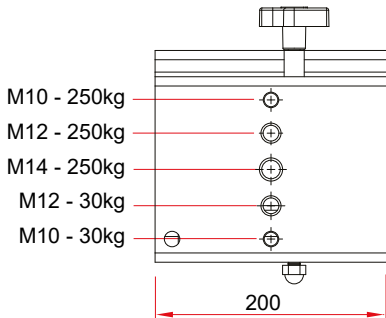
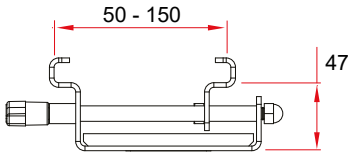


T28870

WLL <150kg

1.30kg

Heavy Duty Marquee Clamp



T28875

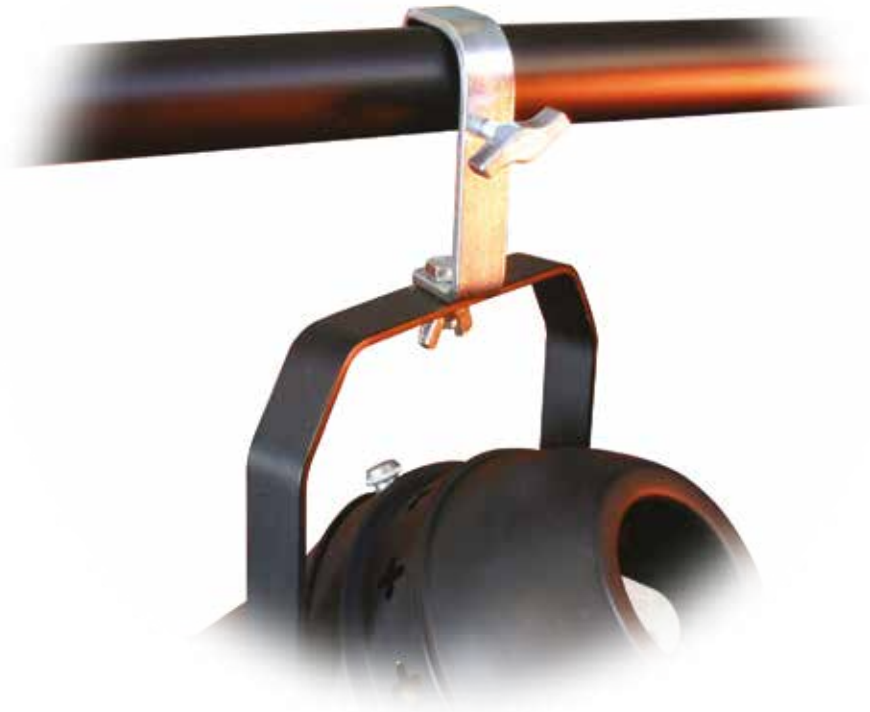
WLL <250kg

3.60kg

Hook Clamps

The standard range of Hook Clamps includes clamps to suit tube diameters from 20mm to 75mm. Manufactured from high quality steel, these clamps are simple to use and extremely strong.

They are available in a bright zinc plate finish or black powder paint and virtually any size hook clamp can be made to your specification upon request.



Hook Clamp 50mm



Hook Clamp c/w Fixings



Hook Clamp Straight Back



T20100 - Silver

T20101 - Black

WLL	40kg
Material	25 x 6
Weight	0.32kg

T20104 - Silver

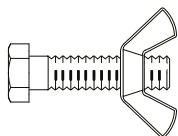
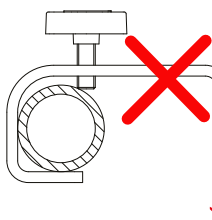
T2010401 - Black

WLL	40kg
Material	25 x 6
Weight	0.32kg

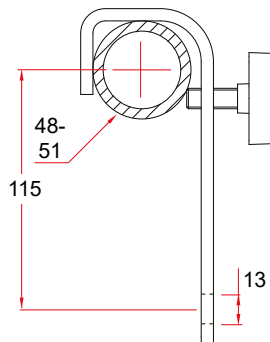
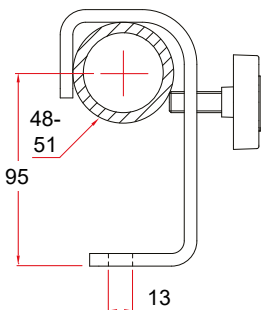
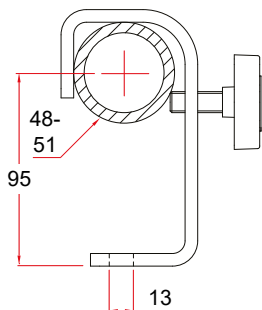
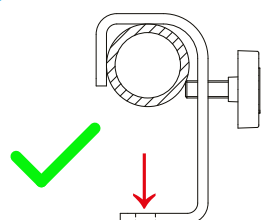
T20107 - Silver

T2010701 - Black

WLL	40kg
Material	25 x 6
Weight	0.33kg



M10 x 25



Hook Clamp Single-Ended

50mm Medium Duty

50mm Heavy Duty



T20105 - Silver

T20102 - Silver

T20400 - Silver

T2010501 - Black

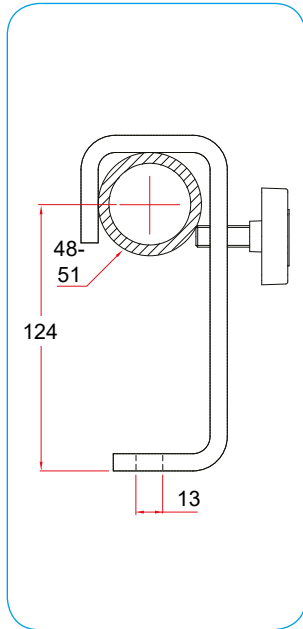
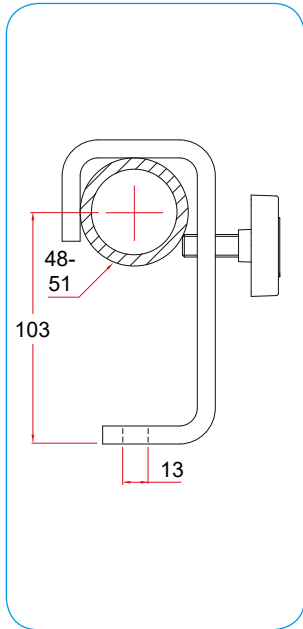
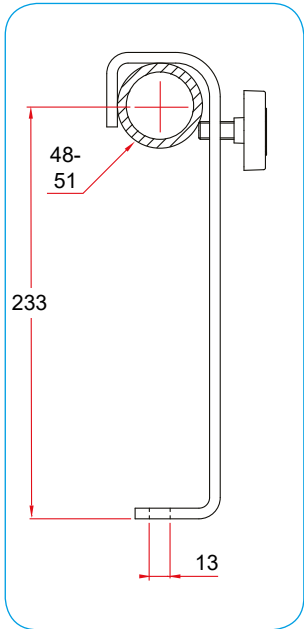
T2010201 - Black

T20401 - Black

WLL	40kg
Material	25 x 6
Weight	0.48kg

WLL	100kg
Material	25 x 8
Weight	0.43kg

WLL	150kg
Material	50 x 8
Weight	0.88kg



Hook Clamp TV Spec



T20900 - Silver

T20901 - Black

WLL	150kg
Material	50 x 8
Weight	1.42kg

Hook Clamp Universal



T21100 - Silver

T21101 - Black

WLL	40kg
Material	25 x 6
Weight	0.29kg

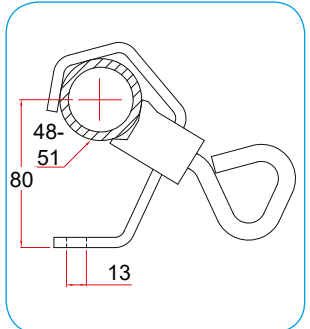
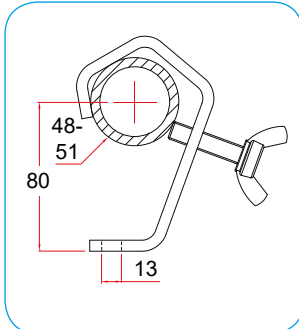
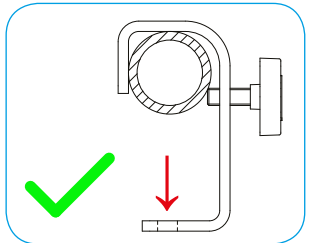
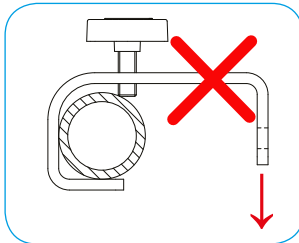
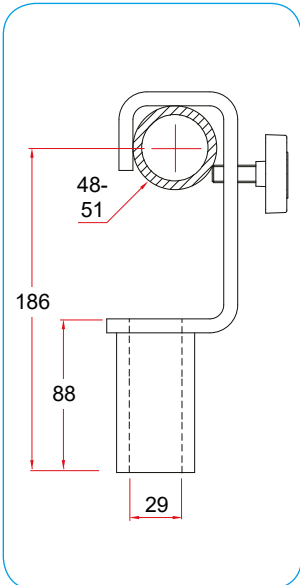
Truss Type Universal



T21800 - Silver

T21801 - Black

WLL	40kg
Material	25 x 6
Weight	0.38kg



Universal Heavy Duty



T20405 - Black

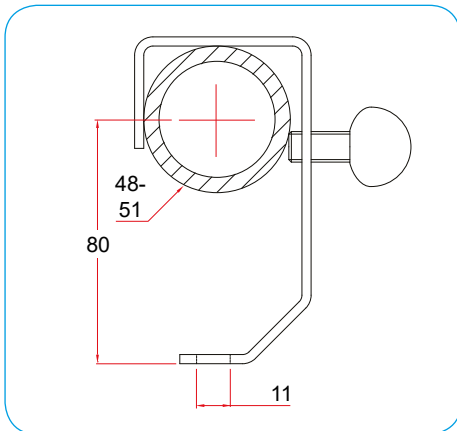
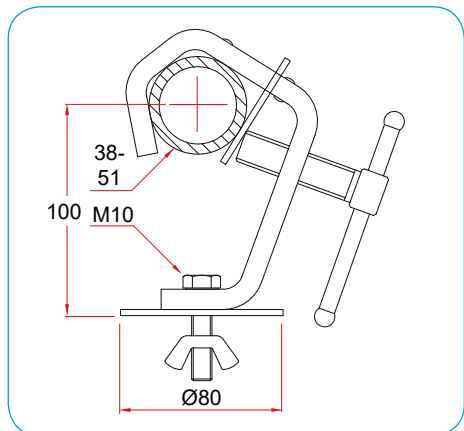
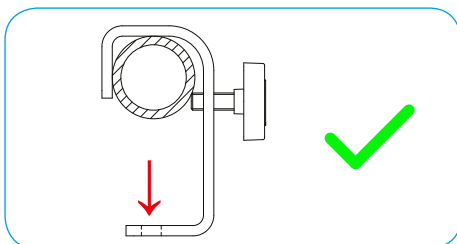
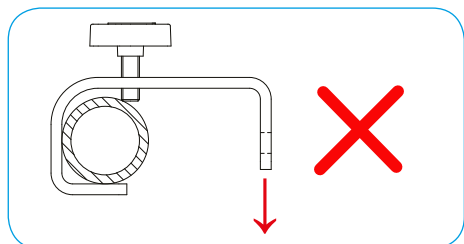
WLL	150kg
Material	40 x 10
Weight	1.16kg

Hook Clamp 50mm Light Duty



T20103 - Silver

T2010301 - Black	
WLL	2kg
Material	20 x 3
Weight	0.11kg



Hook Clamp 18mm Light Duty



T20000 - Silver

WLL	2kg
Material	19 x 3
Weight	0.03kg

Hook Clamp 20mm



T20301 - Silver

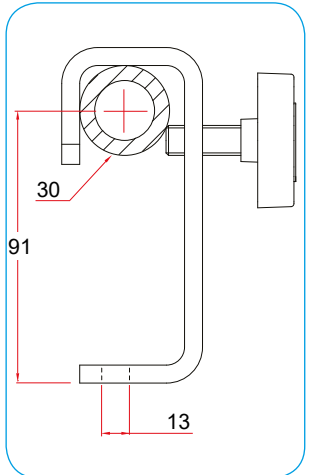
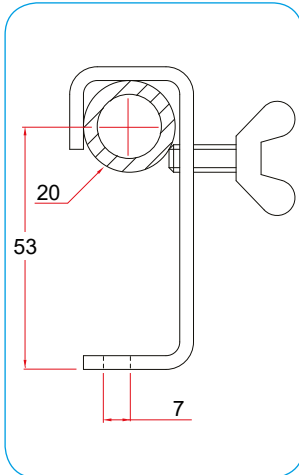
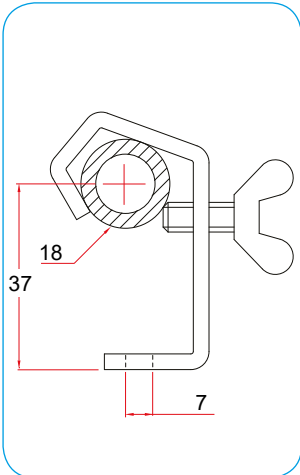
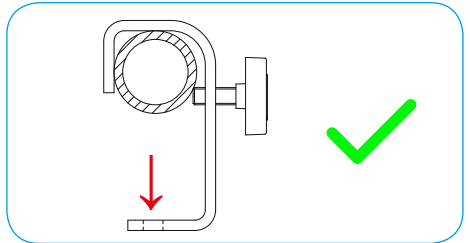
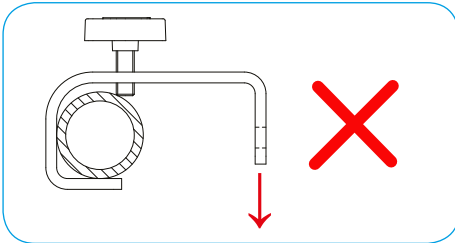
WLL	15kg
Material	20 x 3
Weight	0.07kg

Hook Clamp 30mm



T20200 - Silver
T20201 - Black

WLL	15kg
Material	25 x 6
Weight	0.30kg



Hook Clamp 75mm



Hook Clamp 75mm Heavy Duty



T21805 - Silver

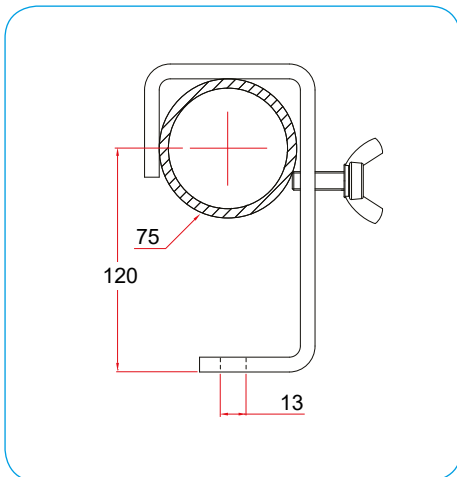
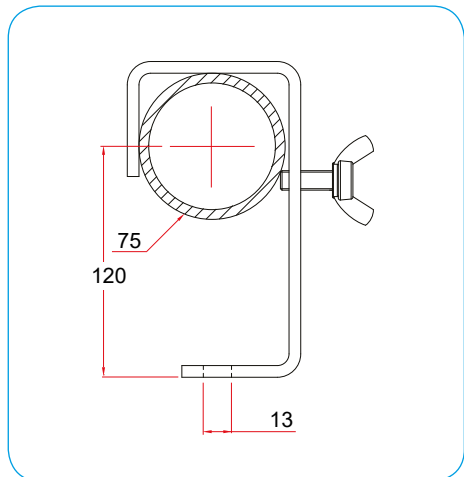
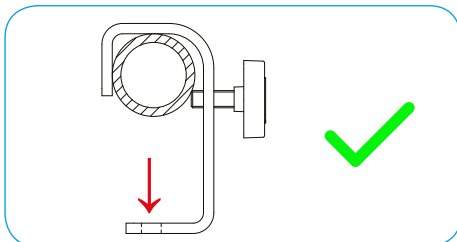
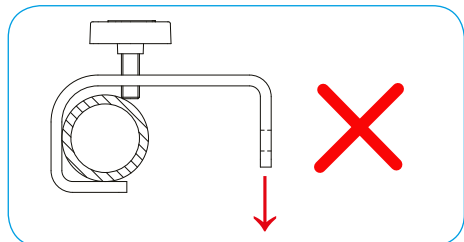
T2180501 - Black

WLL	50kg
Material	30 x 8
Weight	0.38kg

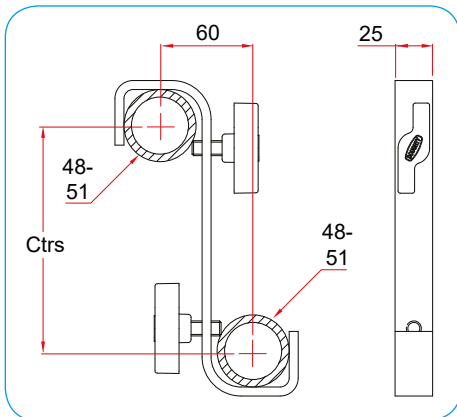
T21810 - Silver

T2181001 - Black

WLL	150kg
Material	50 x 10
Weight	1.08kg

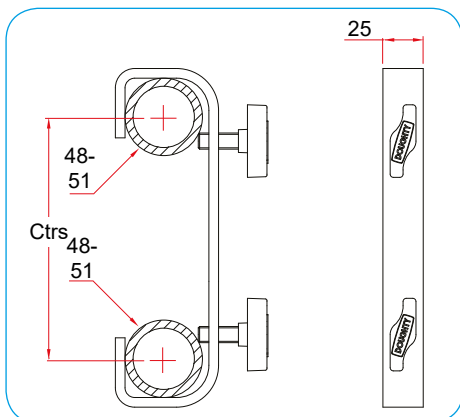


Double Ended 180° Twist Hook Clamp



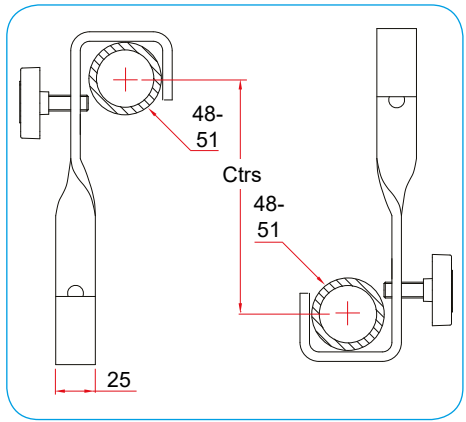
T19700	150mm Ctrs	WLL 40kg	0.50kg
T19800	225mm Ctrs	WLL 40kg	0.58kg
T19900	300mm Ctrs	WLL 40kg	0.67kg
T19905	450mm Ctrs	WLL 40kg	0.89kg
T19910	600mm Ctrs	WLL 40kg	1.09kg

Double Ended Parallel Hook Clamp



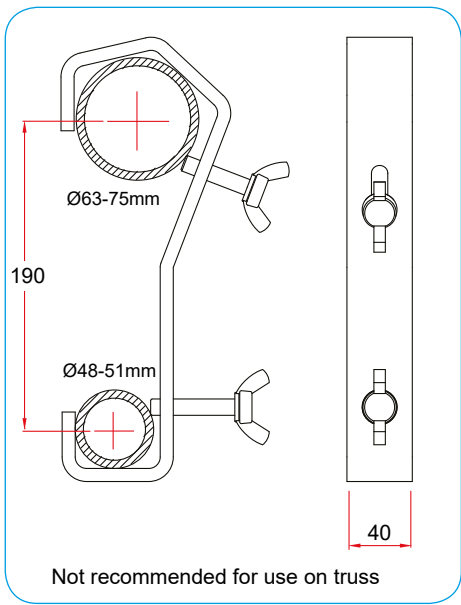
T20500	150mm Ctrs	WLL 40kg	0.50kg
T20600	225mm Ctrs	WLL 40kg	0.58kg
T20700	300mm Ctrs	WLL 40kg	0.67kg
T20705	450mm Ctrs	WLL 40kg	0.89kg
T20710	600mm Ctrs	WLL 40kg	1.09kg

Hook Clamp Double-Ended 90° Twist



T21500	150mm Ctrs	WLL 40kg	0.50kg
T21600	225mm Ctrs	WLL 40kg	0.58kg
T21700	300mm Ctrs	WLL 40kg	0.67kg
T21705	450mm Ctrs	WLL 40kg	0.89kg
T21710	600mm Ctrs	WLL 40kg	1.09kg

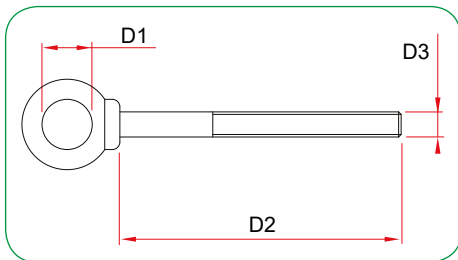
Hook Clamp Double-Ended (63-75mm to 48-50mm)



T20910	WLL 150kg	1.03kg
--------	-----------	--------

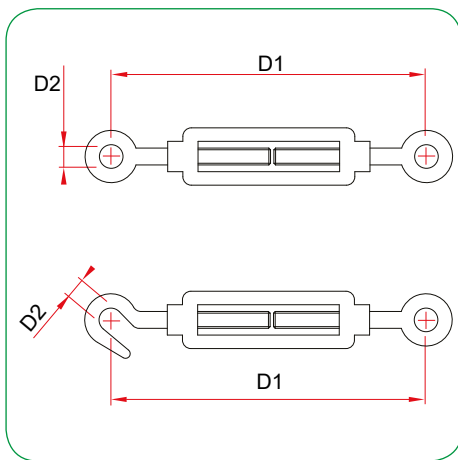
Hooks & Eyes

Gate Eye



		D1	D2	D3
T42600	M10 x 115	12mm	115mm	11mm
T42700	M12 x 135	18mm	135mm	13mm

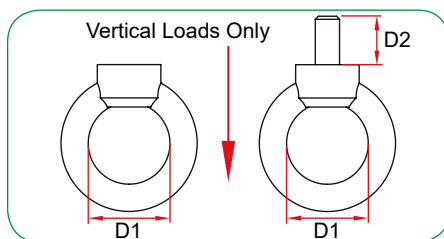
Barrel Strainers



		WLL	D1	D2
T39500	M8 Hook and Eye	130kg	155 - 225mm	10mm
T37500	M8 Eye and Eye	230kg	155 - 225mm	10mm
T39600	M10 Hook and Eye	440kg	190 - 265mm	13.5mm
T37600	M10 Eye and Eye	700kg	190 - 265mm	13.5mm

Eye Nuts

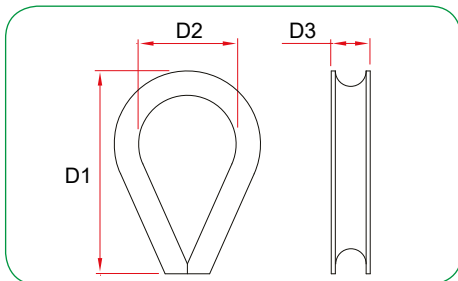
	Size	WLL	D1	Standard	Notes
T42000	M6	70kg	20mm	DIN 582	(plated)
T42001	M6	70kg	20mm	DIN 582	Tested (plated)
T42100	M8	140kg	20mm	DIN 582	(plated)
T42101	M8	140kg	20mm	DIN 582	Tested (plated)
T42200	M10	230kg	24mm	DIN 582	(plated)
T42201	M10	230kg	24mm	DIN 582	Tested (plated)
T42202	M10	230kg	24mm	DIN 582	(black)
T42300	M12	340kg	30mm	DIN 582	(plated)
T42301	M12	500kg	43mm	HT	Tested (large eye)
T42302	M12	340kg	30mm	DIN 582	(black)
T42303	M12	340kg	30mm	DIN 582	Tested (black)
T42305	M12	500kg	35mm		Tested (Red)
T42307	M12	750kg	35mm	DIN 582	Tested (pink)



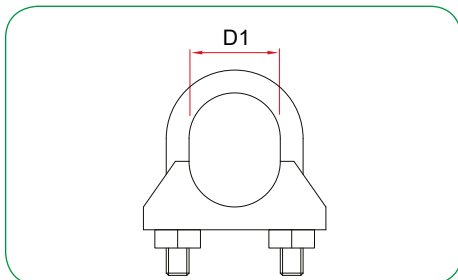
Eye Bolts

	Size	WLL	D1	D2	Standard	Notes
T42500	M6	100kg	15mm	19mm	BS 4278/1	(plated)
T42501	M6	100kg	15mm	19mm	BS 4278/1	Tested (plated)
T42502	M6	70kg	20mm	13mm	DIN 580	Large Eye (plated)
T39700	M8	150kg	15mm	19mm	BS 4278/1	(plated)
T39701	M8	150kg	15mm	19mm	BS 4278/1	Tested (plated)
T39702	M8	140kg	20mm	13mm	DIN 580	Large Eye (plated)
T39800	M10	250kg	15mm	19mm	BS 4278/1	(plated)
T39801	M10	250kg	15mm	19mm	BS 4278/1	Tested (plated)
T39802	M10	230kg	25mm	17mm	DIN 580	Large Eye (plated)
T39900	M12	400kg	15mm	19mm	BS 4278/1	(plated)
T39901	M12	400kg	15mm	19mm	BS 4278/1	Tested (plated)
T39902	M12	340kg	30mm	19mm	DIN 580	Large Eye (plated)

Thimbles

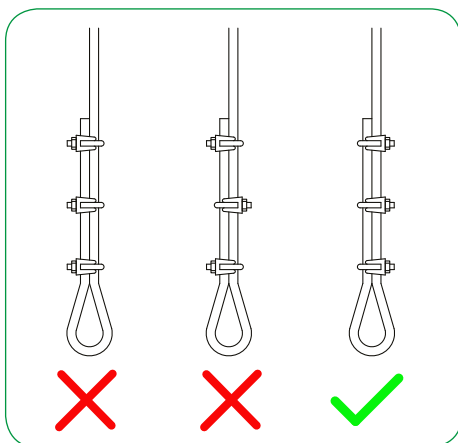


	Size	D1	D2	D3	Standard
T38600	3mm	26mm	10mm	7mm	
T38700	4 - 5mm	34mm	13mm	9mm	BS 464
T38800	6 - 7mm	38mm	17mm	10mm	
T38802	6 - 7mm	48mm	18mm	12mm	BS 464
T38900	8mm	53mm	24mm	13mm	
T38902	8mm	57mm	22mm	13mm	BS 464
T39000	9 - 10mm	62mm	31mm	14mm	
T39002	9 - 10mm				BS 464

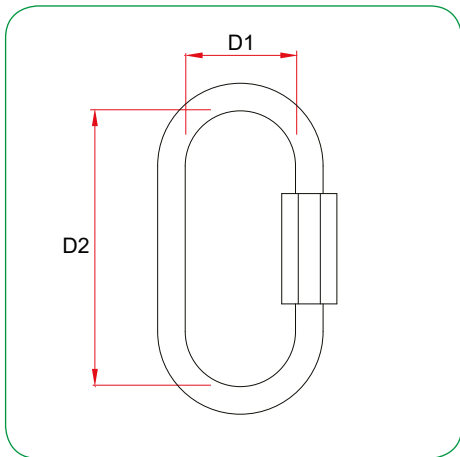


Cable Grips

	Size	D1	Standard
T38000	3mm	5mm	
T38100	4 - 5mm	6mm	
T38101	4 - 5mm	6mm	DIN 1142
T38200	6 - 7mm	8mm	
T38201	6 - 7mm	8mm	DIN 1142
T38400	8mm	9mm	
T38401	8mm	9mm	DIN 1142
T38500	9 - 10mm	12mm	
T38501	9 - 10mm	12mm	DIN 1142

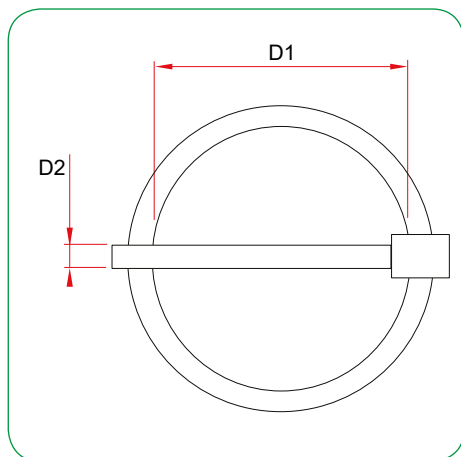


Quick Links - Rated



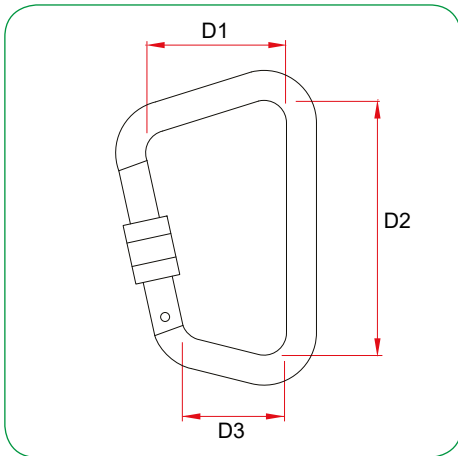
	Size	WLL	D1	D2	Standard
T23490	M6	200kg	14mm	48mm	DIN 56926
T23500	M8	350kg	17mm	58mm	DIN 56926
T23505	M10	500kg	20mm	70mm	DIN 56926
T23510	M12	750kg	23mm	81mm	DIN 56926

Lynch Pins



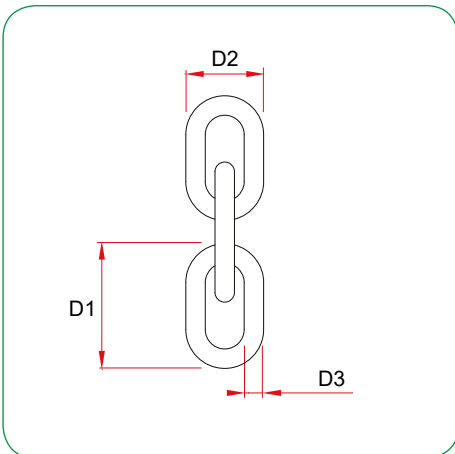
	WLL	D1	D2
T21000	200kg	43mm	5.80mm

Karabiners



	WLL	D1	D2	D3
T2870001	400kg	45mm	88mm	30mm

Lifting Chain



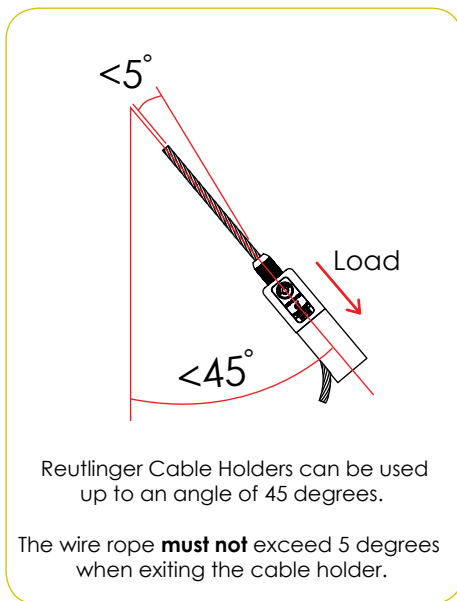
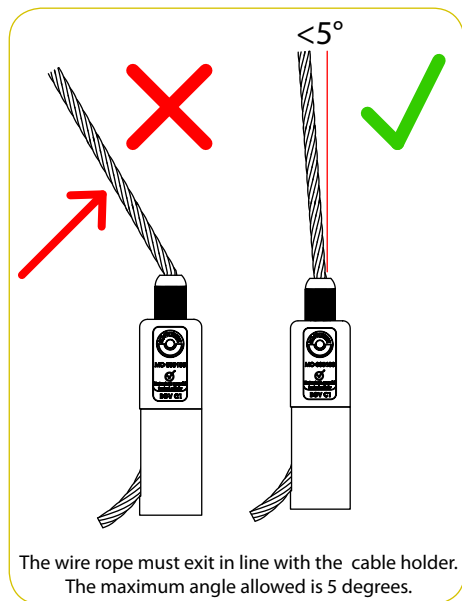
	Length	WLL	D1	D2	D3
T28000	per metre	250kg	35mm	25mm	7mm
T28001	1m	250kg	35mm	25mm	7mm
T28025	25m	250kg	35mm	25mm	7mm
T28050	50m	250kg	35mm	25mm	7mm
T28075	100m	250kg	35mm	25mm	7mm

Cable Holders

The range of Cable Holders from Reutlinger is designed to suspend static loads from wire rope without the need for tools or damaging the steel rope.

There are three sizes available, 50 SV III, 66 SV III and 80 SV III.

The Cable Holder is simply threaded on to the wire rope and with the safety nut depressed it can be placed in any position. When the desired position is achieved the safety nut is screwed down by hand and the load can be attached. These Cable Holders can be repositioned numerous times without damaging the wire rope.



Working Loads

Wire Diameter in mm	Ø4.0mm	Ø5.0mm	Ø6.0mm	Ø1/4"	Ø8.0mm
Cable DIN EN 12385-4, 6x7+1FE,1770 N/mm²					
Type 50SV III (DGUV)	60kg	90kg	-	-	-
Cable DIN EN 12385-4, 6x19+1FE,1770 N/mm²					
Type 50SV III (DGUV)	60kg	90kg	-	-	-
Type 66SV III (DGUV)	-	-	135kg	150kg	-
Type 80SV III (DGUV)	-	-	135kg	-	240kg
Cable DIN EN 12385-4, 6x37+1FE,1770 N/mm²					
Type 80SV III (DGUV)	-	-	135kg	-	240kg

Type 50 - M12 Male



T37650

WLL	4mm wire	60kg
WLL	5mm wire	90kg
Weight	0.12kg	

Type 50 - M12 Female



T37653

WLL	4mm wire	60kg
WLL	5mm wire	90kg
Weight	0.24kg	

Type 50 with Eye



T37651

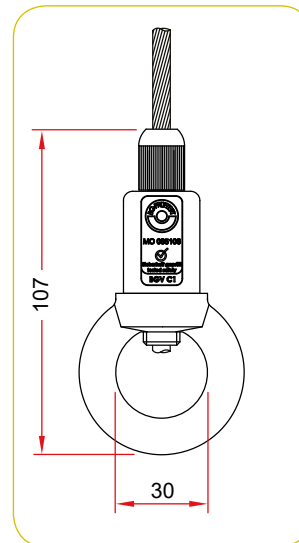
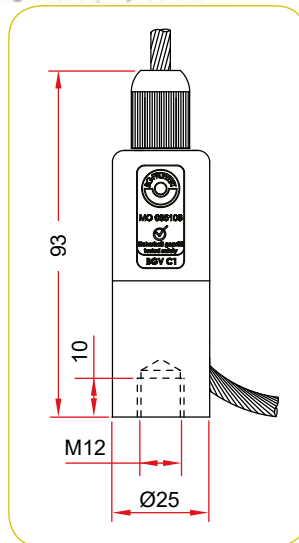
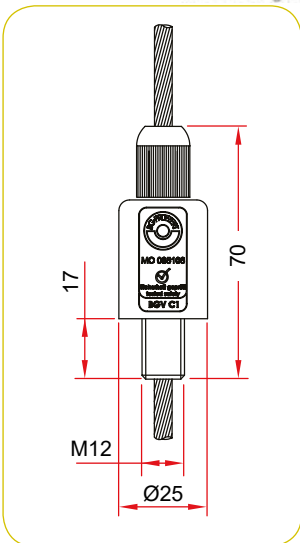
T37656 - Side Exit Wire

WLL	4mm wire	60kg
WLL	5mm wire	90kg
Weight	0.26kg	

REUTLINGER

Abhängung mit System

Type **50SV III**



Type 50 with Fork



T37652

WLL	4mm wire	60kg
WLL	5mm wire	90kg
Weight	0.35kg	

Type 50 - Side Exit Fork



T37655

WLL	4mm wire	60kg
WLL	5mm wire	90kg
Weight	0.49kg	

Type 50 with Coupler

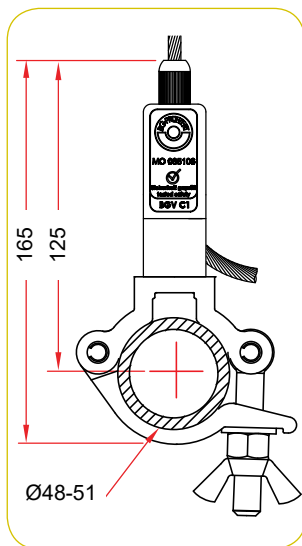
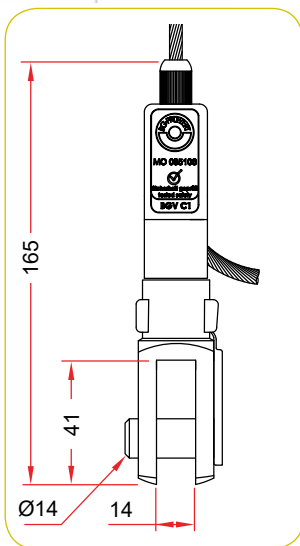
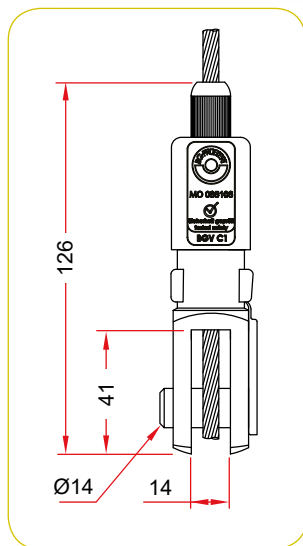


T37654

WLL	4mm wire	60kg
WLL	5mm wire	90kg
Weight	0.50kg	



Type **50SV III**



Type 66 - M16 Male



T37660

WLL	6mm wire	135kg
WLL	1/4" (6.35) wire	150kg
Weight	0.12kg	

Type 66 - M16 Female



T37663

WLL	6mm wire	135kg
WLL	1/4" (6.35) wire	150kg
Weight	0.24kg	

Type 66 with Eye



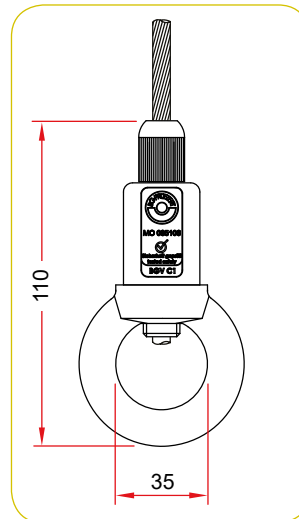
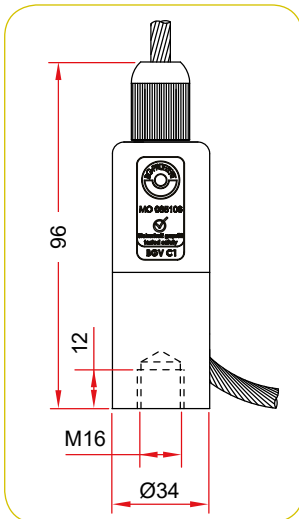
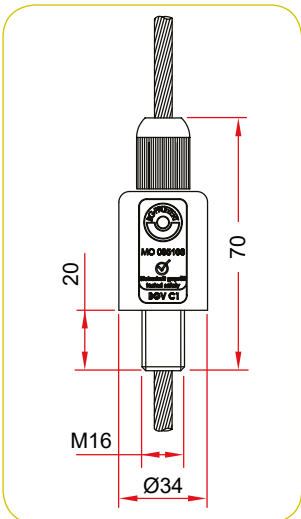
T37661

T37666 - Side Exit Wire

WLL	6mm wire	135kg
WLL	1/4" (6.35) wire	150kg
Weight	0.26kg	

REUTLINGER
Abhängung mit System

Type **66SV III**



Type 66 with Fork



T37662

WLL	6mm wire	135kg
WLL	1/4" (6.35) wire	150kg
Weight	0.35kg	

Type 66 - Side Exit Fork



T37665

WLL	6mm wire	135kg
WLL	1/4" (6.35) wire	150kg
Weight	0.49kg	

Type 66 with Coupler

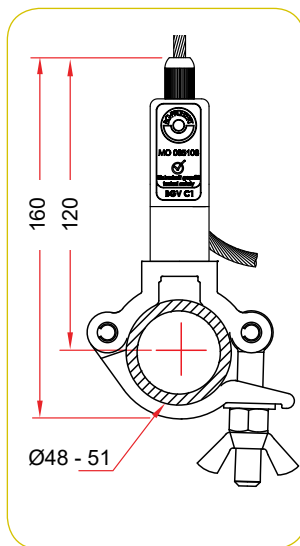
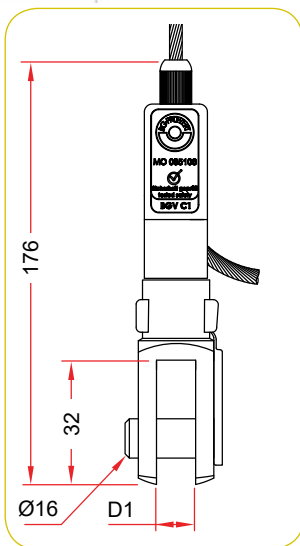
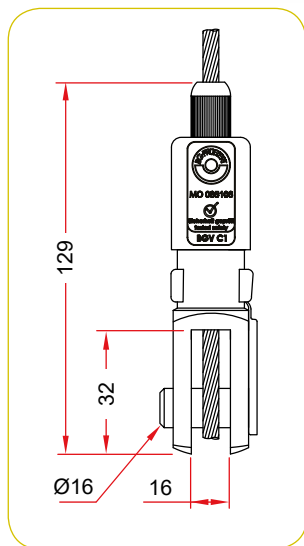


T37664

WLL	6mm wire	135kg
WLL	1/4" (6.35) wire	150kg
Weight	0.50kg	



Type 66SV III



Type 80 - M20 Male



T37680

WLL	6mm wire	135kg
WLL	8mm wire	240kg
Weight		0.54kg

Type 80 - M12 Female



T37683

WLL	6mm wire	135kg
WLL	8mm wire	240kg
Weight		0.94kg

Type 80 with Eye



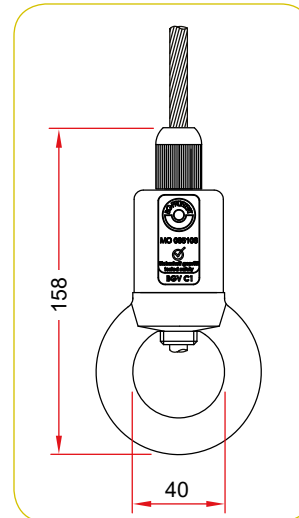
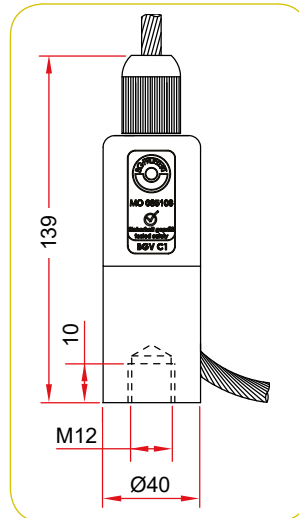
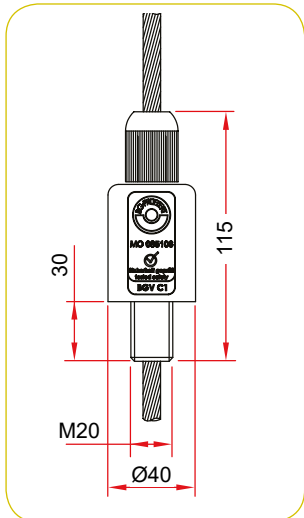
T37681

T37686 - Side Exit Wire

WLL	6mm wire	135kg
WLL	8mm wire	240kg
Weight		0.88kg

REUTLINGER
Abhängung mit System

Type **80SV III**



Type 80 with Fork



Type 80 with Coupler



T37682

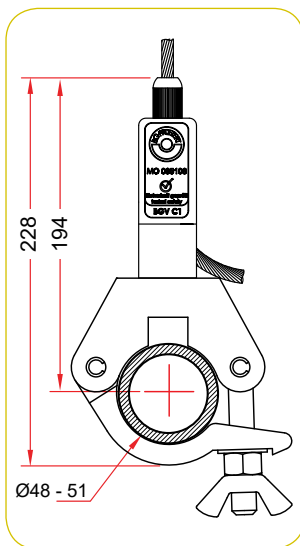
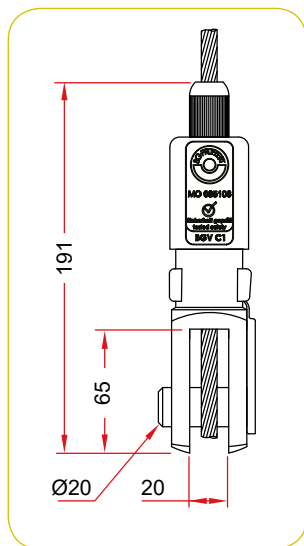
WLL	6mm wire	135kg
WLL	8mm wire	240kg
Weight		1.20kg

T37684

WLL	6mm wire	135kg
WLL	8mm wire	240kg
Weight		1.62kg



Type **80SV III**

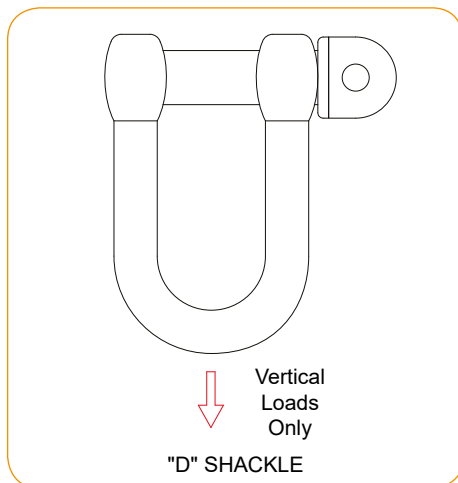
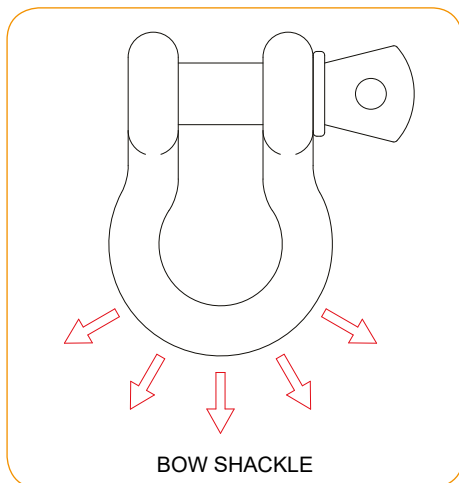


Abhängung mit System

REUTLINGER

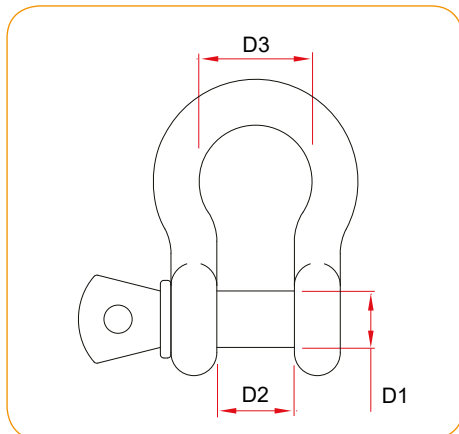
Bow Shackles

Unlike "D" Shackles, Bow Shackles are able to take loads from multiple directions.

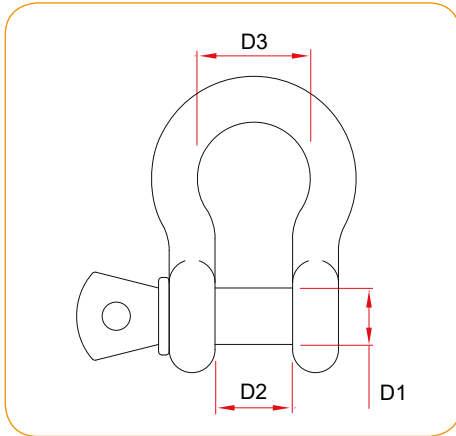


Bow Shackles - Silver Pin

(EN 13889/RR-C-271B)



	WWL	D1	D2	D3
T39100	330kg	6mm	9.5mm	16mm
T39200	500kg	8mm	12mm	19mm
T39300	750kg	10mm	13mm	20mm
T39400	1500kg	12.5mm	17mm	28mm



	WWL	D1	D2	D3
T39101	330kg	6mm	9.5mm	16mm
T39201	500kg	8mm	12mm	21mm
T39301	750kg	10mm	13mm	22mm
T39401	1500kg	12.5mm	17mm	28mm

Crosby® G209 Shackles

(EN 13889/RR-C-271B)



Available on request

Safety Bonds

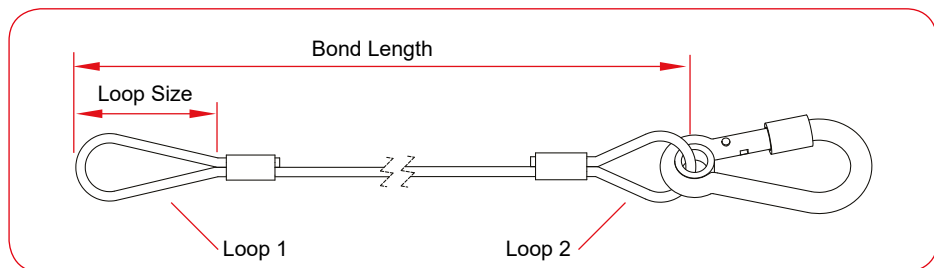
The Safety Bonds shown on the following pages represent our standard range of stock items. We are able to supply any length bonds with fittings to suit individual requirements, including dedicated labels.

All bonds are manufactured in accordance with BS302, BS7905, DIN 3055, DIN 3060, LOLER Standards and the Machinery Directive and are supplied with a batch test certificate.

Safety Bonds are to be used as a secondary safety device and not for lifting.

Custom Bonds

Doughty Engineering supplies a full range of bonds to the customer's specification. When ordering custom bonds note the bond length is from loop to loop excluding any hooks. If a hook is specified with a soft loop, the soft loop will be large enough for the hook to pass through. A thimble loop will allow the hook to be attached to the thimble loop. Special loop sizes can be made on request. Our technical sales team will advise the wire diameter and hook specification depending on the WLL required. All bonds can be supplied with the WLL, your company name and contact details printed on a heat shrink sleeve.



Please note: To comply with the relevant standards all safety bonds must be marked with a Working Load Limit. In the interest of traceability they must display a Serial Number, Company Name & Contact Details.

Company Name and Contact Details must fit on two lines of 25 characters (including spaces).



Safety Bond WLL 15kg - 500mm
 T2840001 2mm wire



Safety Bond WLL 15kg - 540mm
 T22001 3mm wire



Safety Bond WLL 20kg - 600mm
 T2841001 2mm wire



Safety Bond WLL 36kg - 600mm
 T2844001 4mm wire



Safety Bond WLL 36 kg - 1000mm
 T2844501 4mm wire



Safety Bond WLL 100kg - 600mm
 T2849001 3mm wire

Standard Pulleys

The Doughty Pulley system is of modular construction, allowing easy assembly of single or multiple sheave units from a limited range of standard components. With the addition of various brackets and fixings, the basic pulleys will fulfil a variety of specialist needs. Sheaves are available for fibre or wire ropes.

All Standard Doughty Pulleys have a Working Load Limit of 150kg.





Single



Double



Triple



Quad



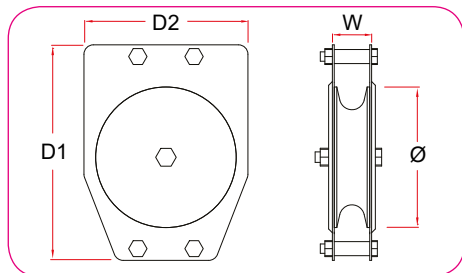
Quin

Ø100 = 12mm Rope
4mm Wire

Ø150 = 18mm Rope
6mm Wire

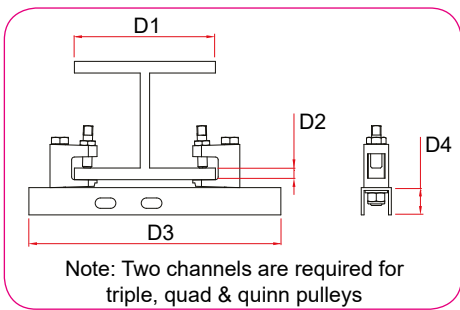
Ø180 = 18mm Rope
6mm Wire

Ø100mm		Ø150mm		Ø180mm		
Wire		Wire		Wire		W
T42800	Single	T42820	Single	T42830	Single	22mm
T42801	Double	T42821	Double	T42831	Double	53mm
T42812	Triple	T42822	Triple	T42832	Triple	85mm
T42813	Quad	T42823	Quad	T42833	Quad	116mm
T42814	Quin	T42824	Quin	T42834	Quin	148mm
Rope		Rope		Rope		W
T42836	Single	T42846	Single	T42855	Single	22mm
T42837	Double	T42847	Double	T42856	Double	53mm
T42838	Triple	T42848	Triple	T42857	Triple	85mm
T42839	Quad	T42849	Quad	T42858	Quad	116mm
T42840	Quin	T42850	Quin	T42859	Quin	148mm



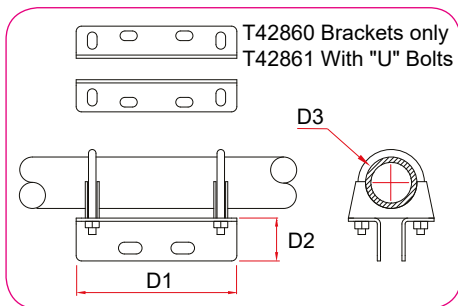
	Ø100mm	Ø150mm	Ø180mm
D1	178mm	230mm	278mm
D2	125mm	175mm	200mm
WLL	150Kg	150kg	150kg





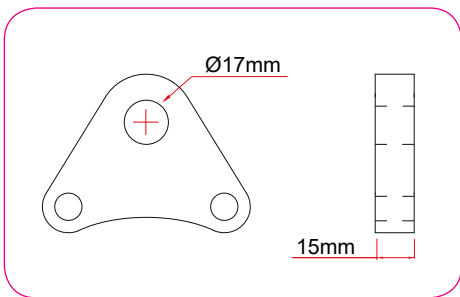
Girder Channel with Flange Clamps

	WLL	D1	D2	D3	D4
T42870	150kg	75 - 150mm	< 20mm	270mm	25mm
T42872	150kg	150 - 300mm	< 20mm	450mm	25mm



Multifix Brackets

	WLL	D1	D2	D3
T42860 (without "U" bolts)	150kg	150mm	50mm	Ø48mm
T42861 (with "U" bolts)	150kg	150mm	50mm	Ø48mm

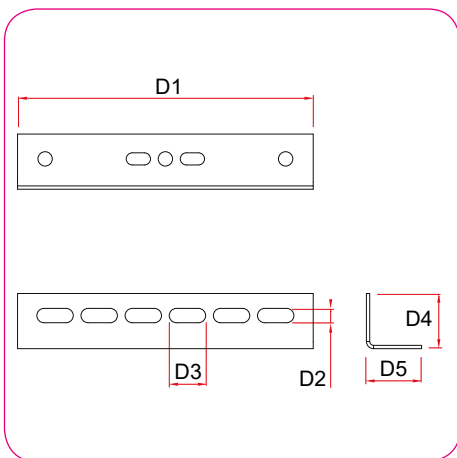


Awning Profile

Designed to be used with an M12 Shackle.

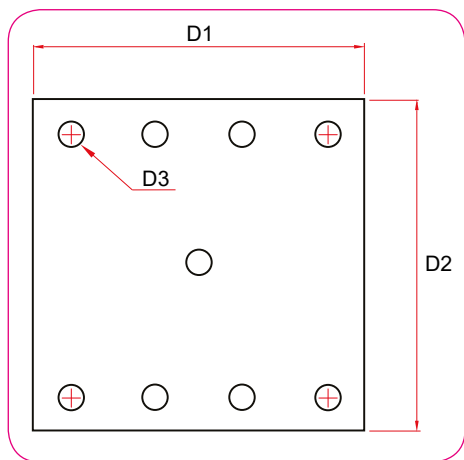
T42865

WLL 150kg



Multibeam / Girder Angle Brackets

	WLL	D1	D2	D3	D4	D5
T42885	150kg	270mm	13mm	33mm	50mm	50mm
T42886	150kg	450mm	13mm	33mm	50mm	50mm



Wall Side Plates

	WLL	D1	D2	D3
T42897 for 100mm Pulleys	150kg	185mm	178mm	10mm
T42898 for 150mm Pulleys	150kg	235mm	230mm	10mm
T42899 for 180mm Pulleys	150kg	275mm	260mm	10mm

Heavy Duty Pulleys

The Doughty Heavy Duty Pulleys are constructed from nylon sheaves together with ball raced bearings for smooth friction free operation. Side plates are constructed from 5mm thick steel giving an extremely strong construction. Heavy Duty Pulleys are available with 100mm, 150mm and 200mm sheaves with WLLs of 200, 400 and 600kgs respectively. Pulleys are available for both fibre and wire ropes together with a range of bracketry to suit.





Single



Double



Triple



Quad



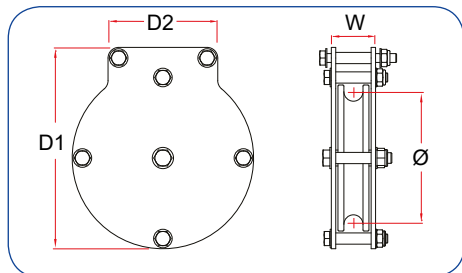
Quin

Ø100 = 12mm Rope
4mm Wire

Ø150 = 18mm Rope
6mm Wire

Ø200 = 18mm Rope
6mm Wire

HD Ø100mm		HD Ø150mm		HD Ø200mm		
Rope		Rope		Rope		W
T42931	Single	T42941	Single	T42951	Single	50mm
T42932	Double	T42942	Double	T42952	Double	75mm
T42933	Triple	T42943	Triple	T42953	Triple	100mm
T42934	Quad	T42944	Quad	T42954	Quad	130mm
T42935	Quin	T42945	Quin	T42955	Quin	160mm
Wire		Wire		Wire		W
T42901	Single	T42911	Single	T42921	Single	50mm
T42902	Double	T42912	Double	T42922	Double	75mm
T42903	Triple	T42913	Triple	T42923	Triple	100mm
T42904	Quad	T42914	Quad	T42924	Quad	130mm
T42905	Quin	T42915	Quin	T42925	Quin	160mm



Ø	100mm	150mm	200mm
D1	178mm	228mm	278mm
D2	124mm	124mm	174mm
WLL	200kg	400kg	600kg

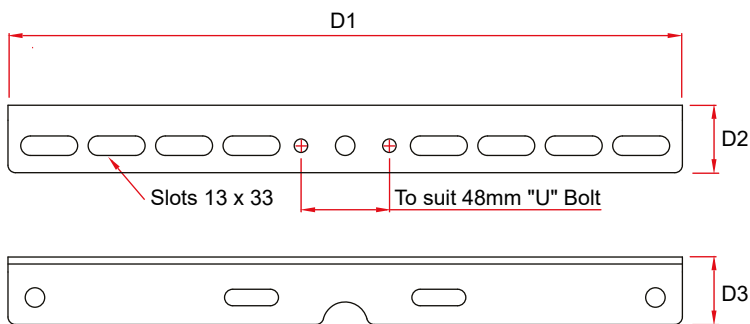




Multibeam Brackets - Heavy Duty

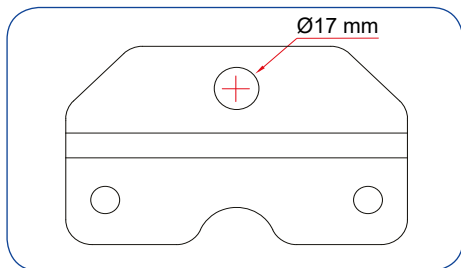
	WLL	D1	D2	D3
T42990	600kg	225mm	45mm	45mm
T42995	600kg	450mm	45mm	45mm

A pair of slotted angle brackets which can be used for wall or ceiling applications. The holes are specifically spaced for the use of 48mm "U" Bolts (T56600).



Heavy Duty Pulley Awnings

100 & 150mm			200mm		
T42984	100 & 150mm	Single Sheave	T42987	200mm	Single Sheave
T42985	100 & 150mm	Double Sheave	T42988	200mm	Double Sheave
T42986	100 & 150mm	Triple Sheave	T42989	200mm	Triple Sheave
WLL	400kg		WLL	600kg	



Designed to be used with an M12 Shackle.





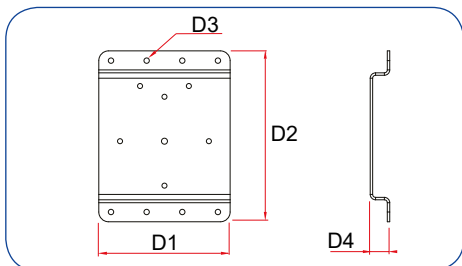
Heavy Duty Universal Plate Assembly

T42979	fits Single Pulley	WLL 600kg
T42980	fits Double Pulley	WLL 600kg
T42981	fits Triple Pulley	WLL 600kg
T42982	fits Quad Pulley	WLL 600kg
T42983	fits Quin Pulley	WLL 600kg

Universal mounting plates enable pulleys to be mounted to tubes with a pair of "U" bolts. These plates are supplied with a pair of multifix brackets and "U" bolts.



Wall Mounting Plates						
	Pulley Size	WLL	D1	D2	D3	D4
T42997	100mm	200kg	219mm	300mm	11mm	40mm
T42998	150mm	400kg	269mm	350mm	11mm	40mm
T42999	200mm	600kg	319mm	400mm	11mm	40mm



Wall plates are available in three sizes, 100mm, 150mm and 200mm. These plates convert an existing pulley into a wall mounted pulley.

Clews & Cleats

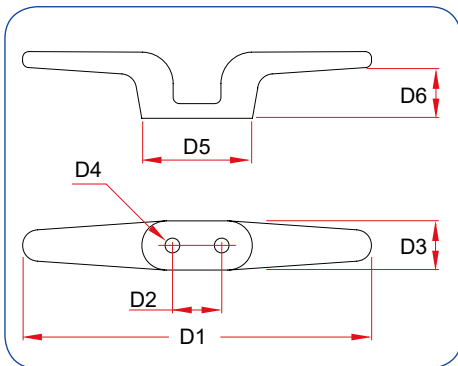
A range of Clews fitted with swivel shackles. Suitable for use with our standard and heavy duty range of pulleys to combine the multiple hanging lines from a flown bar into a single winch line when using drum winches – suitable for wire rope up to 6mm.



Swivel Clews

T41000	3-Way	WLL 250kg
T41100	4-Way	WLL 250kg
T41200	5-Way	WLL 250kg
T41300	3-Way	WLL 500kg
T41400	4-Way	WLL 500kg
T41500	5-Way	WLL 500kg
T41600	3-Way	WLL 1000kg
T41700	4-Way	WLL 1000kg
T41800	5-Way	WLL 1000kg

Supplied with a Swivel Shackle and Thimbles



Flyrail Cleats

	WLL	D1	D2	D3	D4	D5	D6
T41900	200kg	440mm	60mm	47mm	12mm	135mm	70mm
T41902	200kg	375mm	48mm	40mm	12mm	115mm	40mm
T41904	200kg	285mm	35mm	40mm	12mm	90mm	40mm

Rope & Wire

Pre-stretched black nylon cord. Suitable for use in Six Track systems, pulleys and general lashing. A matt finish improves grip and holds knots well.



Rope		
Pt No	Diameter	Breaking Load
T63780 (200m reel)	Ø8mm	2000kg

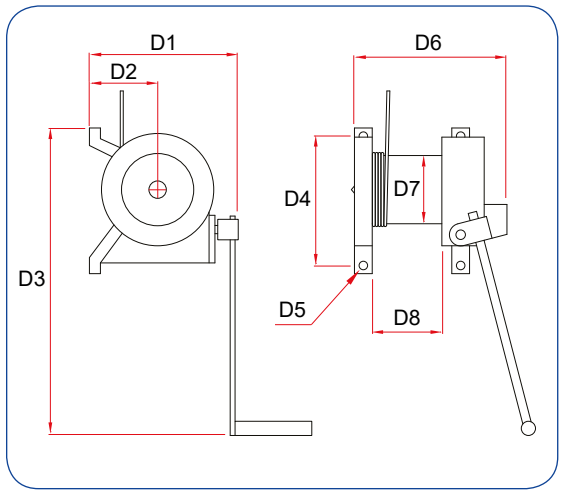
Galvanised and black wire rope for use in flying and static suspension systems. Construction is 7 x 7 for 1.5, 2, 3 & 4mm and 7 x 19 for 5, 6, 7 & 8mm. These are suitable for use with our range of gate eyes, barrel strainers, cable grips and thimbles.

Available as 100 metre drums.



Wire Rope - 100m Reels

Galvanised (silver)				Galvanised (black)			
Pt No	Diameter	kg/100m	WLL	Pt No	Diameter	kg/100m	WLL
T40500	Ø2mm	1.52kg	60kg	T405001	Ø2mm	1.52kg	60kg
T40000	Ø3mm	3.34kg	100kg	T400001	Ø3mm	3.34kg	100kg
T40100	Ø4mm	5.96kg	175kg	T401001	Ø4mm	5.96kg	175kg
T40200	Ø5mm	9.29kg	275kg	T402001	Ø5mm	9.29kg	275kg
T40300	Ø6mm	13.4kg	400kg	T403001	Ø6mm	13.4kg	400kg
T40400	Ø7mm	18.2kg	525kg				
T40600	Ø8mm	21.5kg	650kg				



Worm Gear Winches

	T41850	T41860	T41870
WLL (First Layer)	250kg	500kg	750kg
WLL (Last Layer)	210kg	425kg	624kg
Layers	2	3	4
Wire Rope diameter	Ø5mm	Ø6mm	Ø8mm
Rope Capacity (First Layer)	4.8m	7.9m	9.2m
Rope Capacity Total	11.3m	29.1m	49m
Ratio:	16:1	16:1	25:1
Lift per Turn	20mm	26mm	20mm
Required Effort	9.2kg	14.5kg	16kg
Duty Class to DIN 15020	1Bm	1Bm	1Bm
kg	12.5kg	21kg	42kg

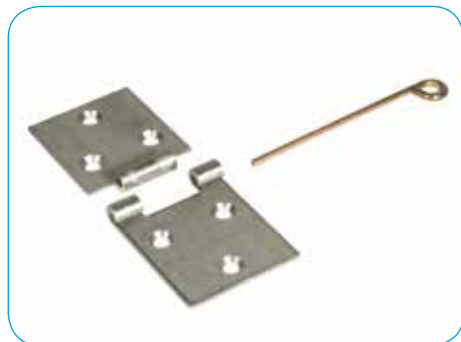
Dimensions

	T41850	T41860	T41870
D1	205mm	241mm	335mm
D2	137mm	190mm	243mm
D3	500mm	690mm	770mm
D4	205mm	250mm	330mm
D5	12mm	14mm	20mm
D6	219mm	282mm	350mm
D7	96mm	125mm	150mm
D8	94mm	138mm	182mm

Scenery Fixings

The Doughty range of Scenery Fixings is a large selection of hinges and brackets for the construction of stage scenery and back drops.

Loose Pin Hinges



T61700	1.5" (38mm)
T61800	1.75" (44mm)
T61900	2" (50mm)
T62100	Loose pins (pack of 100)

Loose Pin Hinges are not supplied with pins, which should be ordered separately.

Lift Off Hinges



T62500	Left hand 3" (75mm)
T62501	Right hand 3" (75mm)

Backflap Hinges



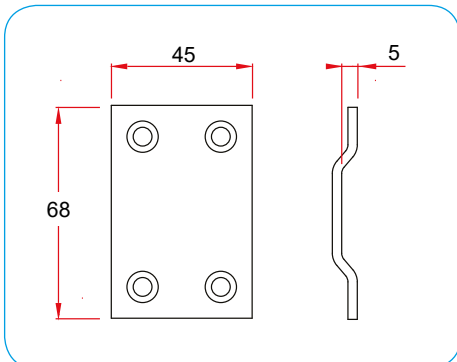
T62700	1.5" (38mm)
T62800	1.75" (44mm)
T62900	2" (50mm)
T63000	3" (75mm)

Butt Hinges



T63400	2" (50mm)
T63500	2.5" (63.5mm)
T63600	3" (75mm)
T63700	4" (100mm)

Pelmet Socket

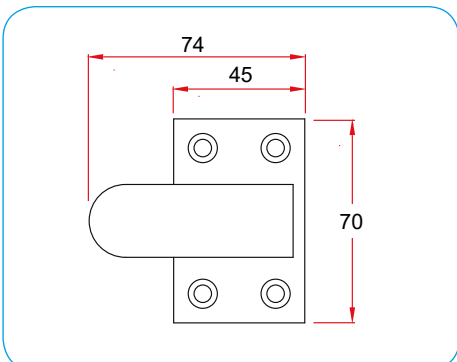


T66300

Ø6mm Fixing Holes

0.05kg

Pelmet Clip

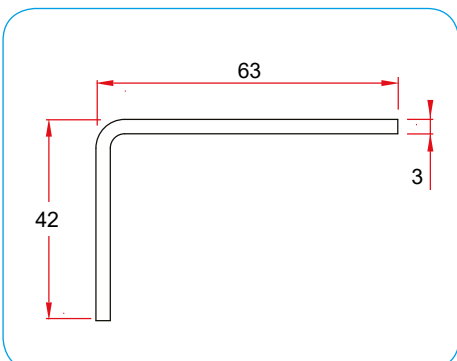


T66200

Ø6mm Fixing Holes

0.05kg

Pelmet 90° Bracket



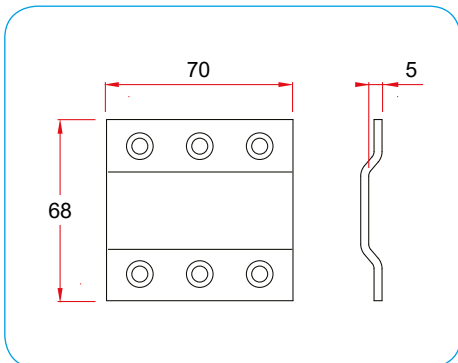
T66100

Ø6mm Fixing Holes

0.18kg

Pelmet clips and sockets provide a quick means of mounting pictures and various other props to scenery.

Extended Socket

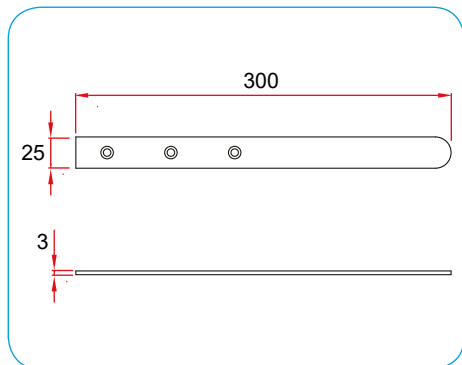


T66500

Ø6mm Fixing Holes

0.18kg

Extended Plug

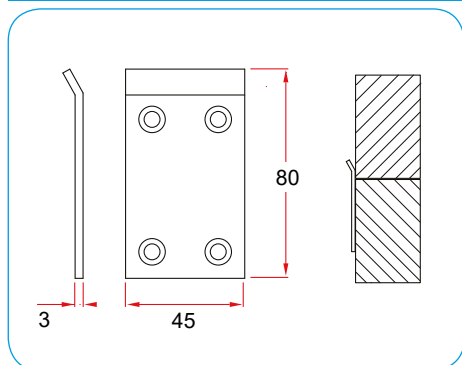


T66400

Ø6mm Fixing Holes

0.22kg

Stop Plate



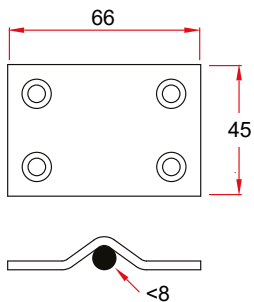
T65000

Ø6mm Fixing Holes

0.09kg

Extension fittings are used to join two scenery panels edge to edge.

Grummet End Fixing

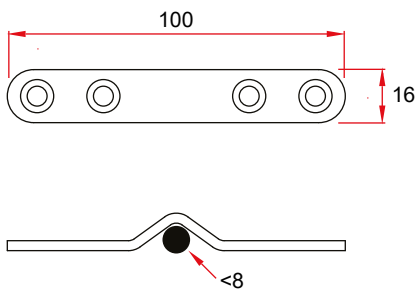


T65400

Ø6mm Fixing Holes

0.07kg

Grummet Standard

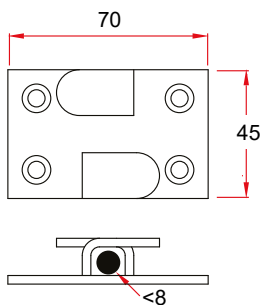


T65300

Ø6mm Fixing Holes

0.04kg

Grummet Quick Release



T65500

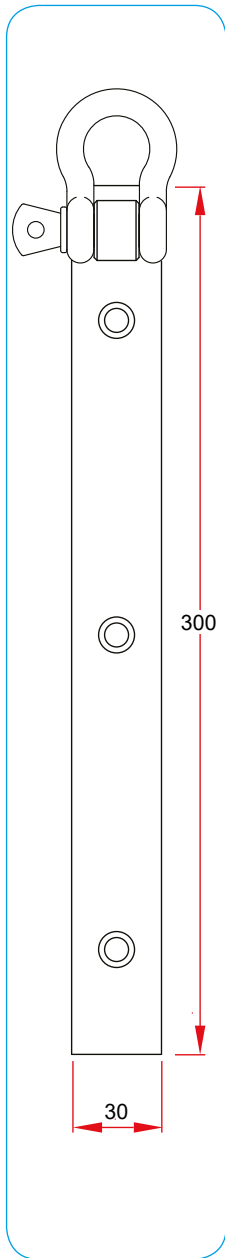
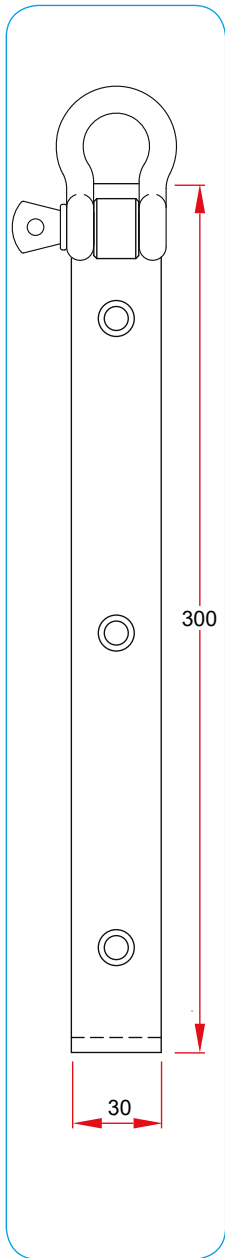
Ø6mm Fixing Holes

0.10kg

Grummetts are generally used to guide flying wires and lines behind scenery panels.

Long Flying Iron Lipped

Long Flying Iron Flat



T64200

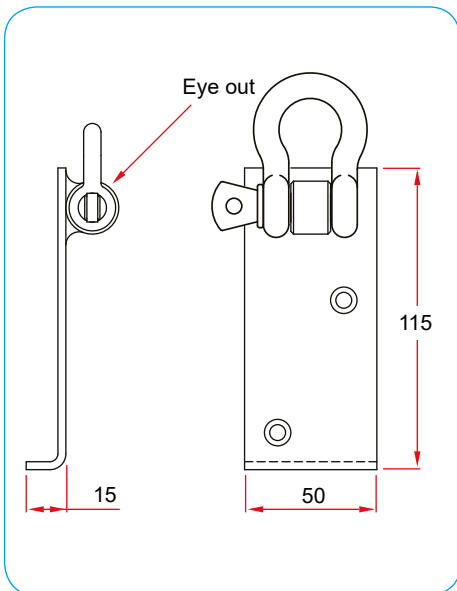
Ø6mm Fixing Holes

T64300

Ø6mm Fixing Holes

Manufactured from mild steel and zinc plated, Flying Irons are used to fly scenery panels. Supplied with an M8 Bow Shackle.

Short Hanging Iron (eye out)

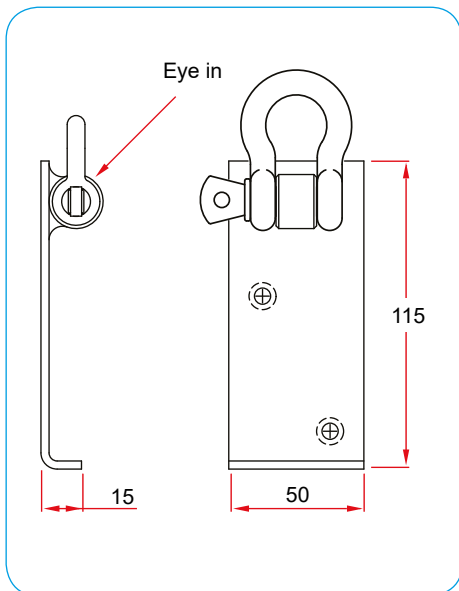


T64000

Ø6mm Fixing Holes

0.22kg

Short Hanging Iron (eye in)



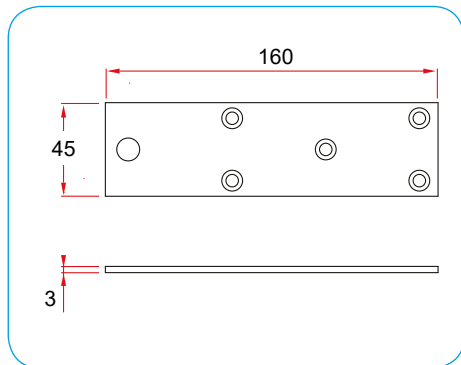
T64100

Ø6mm Fixing Holes

0.22kg

Manufactured from mild steel and zinc plated, Hanging Irons are used to fly scenery panels. Supplied with an M8 Bow Shackle.

Ceiling Plate

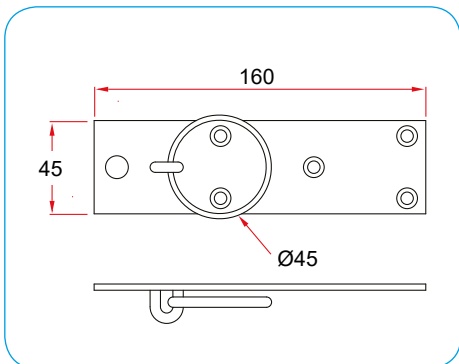


T65600

Ø6mm Fixing Holes

0.04kg

Ceiling Plate with Ring

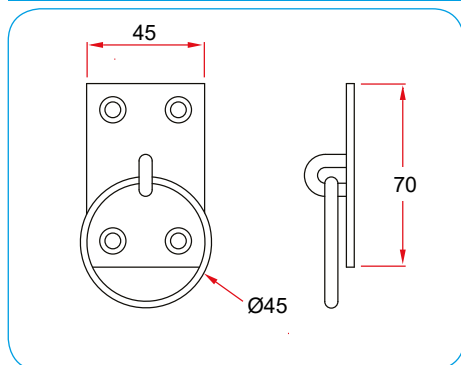


T65700

Ø6mm Fixing Holes

0.04kg

Ring Plate



T64900

Ø6mm Fixing Holes

0.02kg

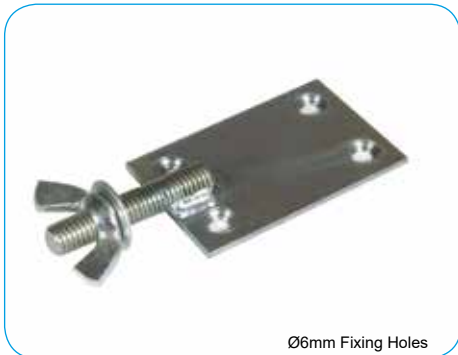
Stud Plate



T64600

M10 x 50 Stud

Peg Plate



T64700

M10 x 50 Stud

Boss Plate



T64800

M10 Threaded Boss

Top Batten Clip



T67000

Fits up to 4" x 2" battens

Coach Eye



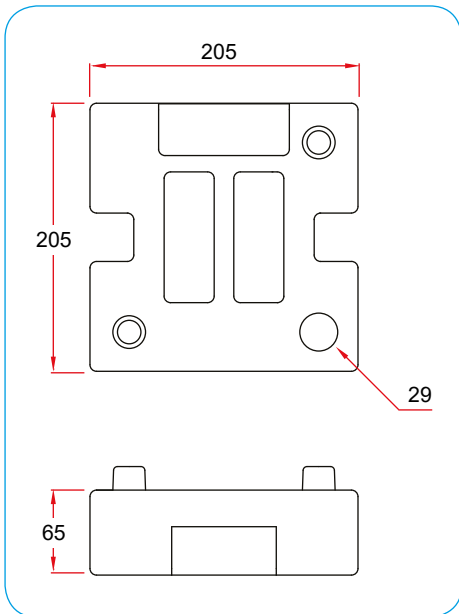
T59000

Stage Screw



T60900

Brace Weight

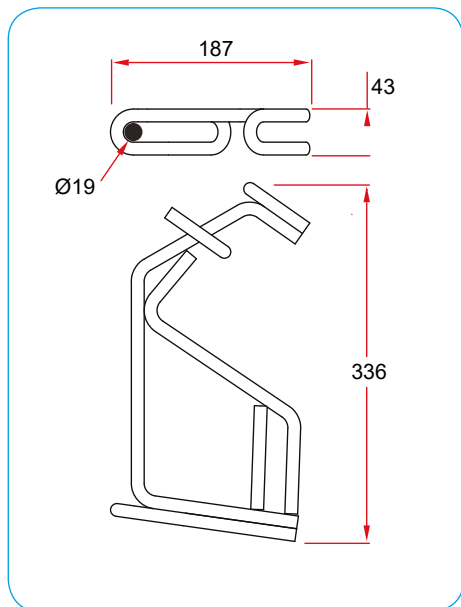


T61100

Doughty Knob to suit sold separately Order Pt No. S0141

12.5kg

Rope Brake



T67200

1.32kg

Fixed Stage Brace



T60600	2.0m	1.77kg
--------	------	--------

An inexpensive lightweight all steel scenery brace.

Extending Stage Brace



T60000	1 - 2m	2.00kg
T60100	1.5 - 3m	2.86kg
T60200	2 - 4m	3.73kg

Lightweight extending steel braces with a powder painted outer finish and a zinc plated inner.

Swivel Arms

A range of 360° swivel arm fittings to position leg/wing curtains or light scenery at any angle, traditionally used to aid masking of wing space on stage from audience sight lines.

Swivel Arm Ceiling Mounted



T84500 Fixes directly to a solid surface

T84501 Supplied with Ø25mm x 2m tube

Swivel Arm Barrel Mounted



T84505 Supplied with 48mm "U" bolts

T84506 Supplied with Ø25mm x 2m tube

Swivel Arm Girder Mounted



T84510 to fit Girders 4" - 6"

T84511 Supplied with Ø25mm x 2m tube

Studio Rail Swivel Arm

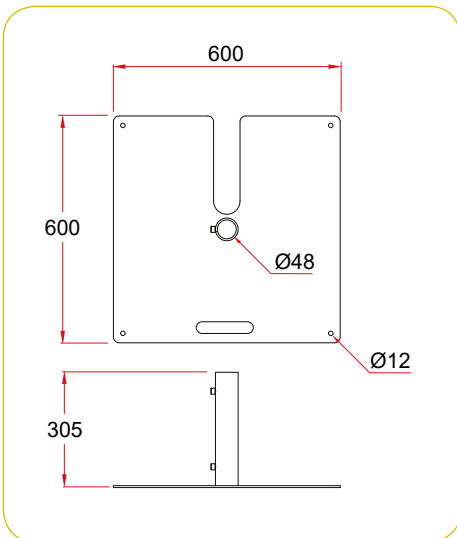


T84515 Supplied with 6 wheel carriage

T84516 Supplied with Ø25mm x 2m tube

Floor & Wall Plates

Tank Trap (fixed base)



T54250

To suit Ø48mm

16.2kg

Tank Trap (two wheels)



T54255

Dimensions are as per the Tank Trap (T54250)

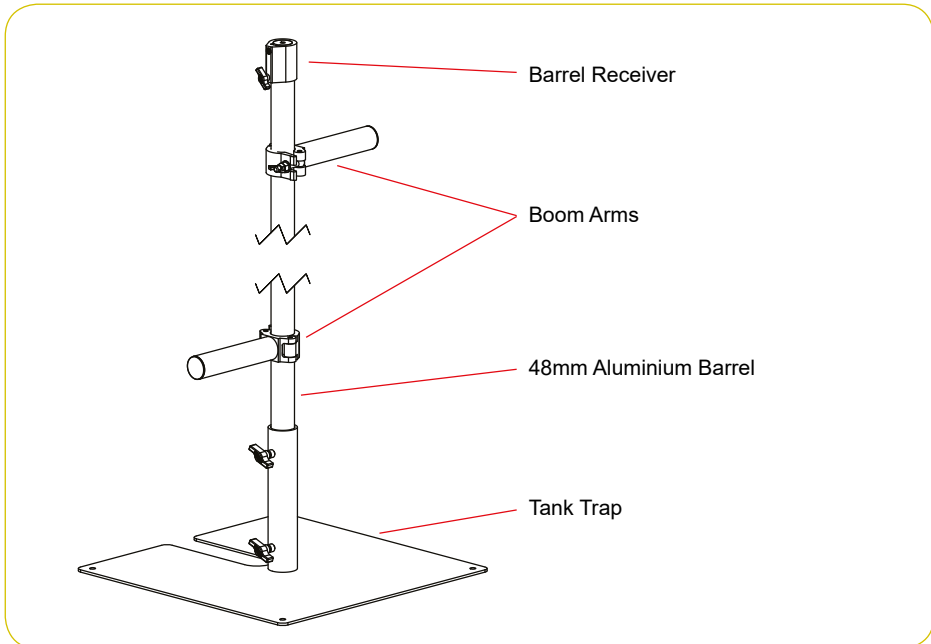
Fitted with two wheels this tank trap can be easily manoeuvred by tilting back and wheeling into position.

Tank Trap (four castors)



T54260 Dimensions are as per the Tank Trap (T54250)

Supplied without stacking slot to increase stability when on castors. Four braked castors fitted.

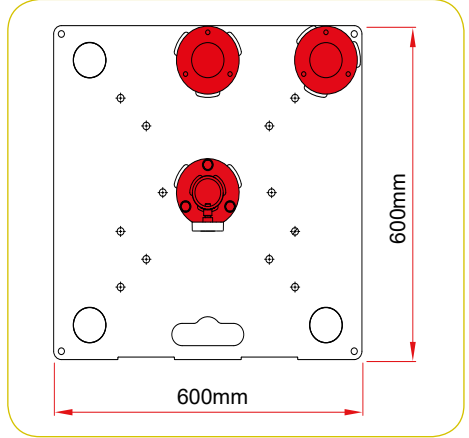


3 Position Tank Traps

The 3 position Tank Trap is a multipurpose floor plate to suit 48mm barrel and truss.

Fitted with a removable receiver barrel may be fitted in the centre, at the edge or in the corner of the plate.

3 Position Tank Trap



T54265

3 Position Tank Trap

T54266

Tank Trap Trolley



With the receiver removed the plate may be inverted and used as a base plate to suit various sizes of truss. Does not include truss connectors or fixings to mount truss to the plate.

The Tank Trap Trolley is a compact trolley to transport and store ten 3 Position Tank Traps.

Receivers slot in between the Tank Traps, and are captivated by a retaining plate.

Designed for a more elegant appearance than a Tank Trap, the Lightweight Stand comprises a flat round plate and slim 32mm tube, slotted at each end to allow cables to run internally.

The circular baseplate with carry handle and stacking slot is fitted with a 28mm spigot bolted in the centre to secure the tube. This allows the stand to be dismantled for storage.

Each end of the tube is fitted with a 29mm receiver, to attach to the baseplate at one end, and to an industry standard 28mm Euro Spigot (T74303) at the other.

A speaker may be fitted using either a Speaker Adaptor (T51000) or a Speaker Spigot (T74400)

The lightweight Stand is designed for lightweight applications below 10KG, and is available with 1500mm, and 2000mm tubes.

Satin Black as standard, White and other colours available on request.

T54271	1.50m	Black
T54273	2.0m	Black



Baby Pin Wall Plate



G1405 0.46kg

A 100mm x 100mm plate with 16mm spigot and Ø8mm corner fixing holes.

Baby Receiver Wall Plate



G1128 0.37kg

A 100mm x 100mm plate with a 16mm receiver and Ø8mm corner fixing holes.

Turtle Plate



T54200 2.40kg

A 230mm x 230mm turtle plate with a 29mm receiver and Ø6mm corner fixing holes.

Junior Wall Plate



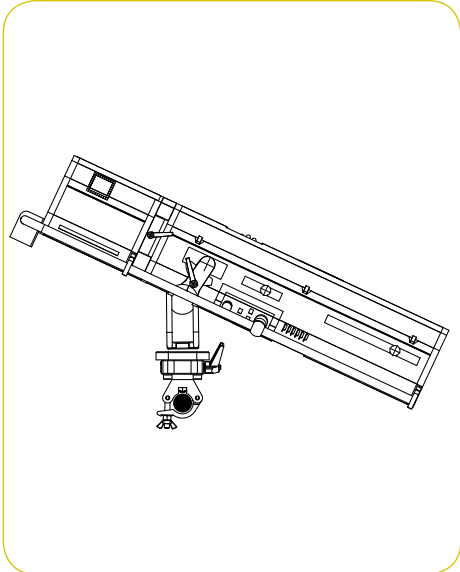
G1129 0.85kg

A 120mm x 120mm plate with a 29mm receiver and Ø8mm corner fixing holes.

48mm Receiver



	Size (D1)	Fixing (D2)	kg
T50820	Ø48mm	M10	0.45kg
T50825	Ø48mm	M12	0.45kg
T50830	Ø51mm	M10	0.45kg
T50835	Ø51mm	M12	0.45kg



T54420

WLL 100kg

4.20kg

An assembly designed to allow a followspot to be mounted to a rail. This assembly enables full 360° of smooth rotation.

Ø48-51

T57011 Clamps

120

160

53

200

150

100

125

160

125

100

Ø6 Holes

M12 Tapped

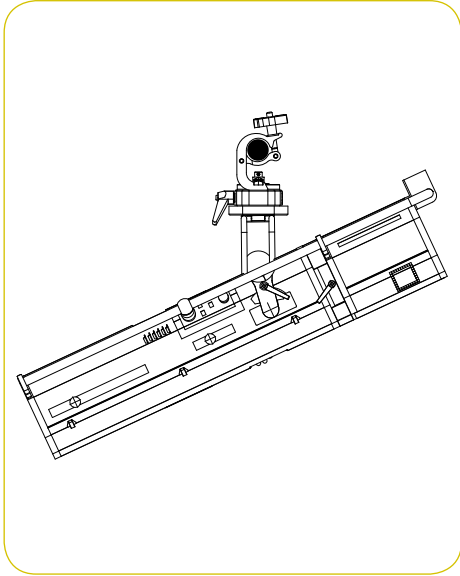
Ø13.5 Hole

M10 Tapped

Can be used to support or suspend a followspot.

WLL 100Kg

Followspot Rail Mount

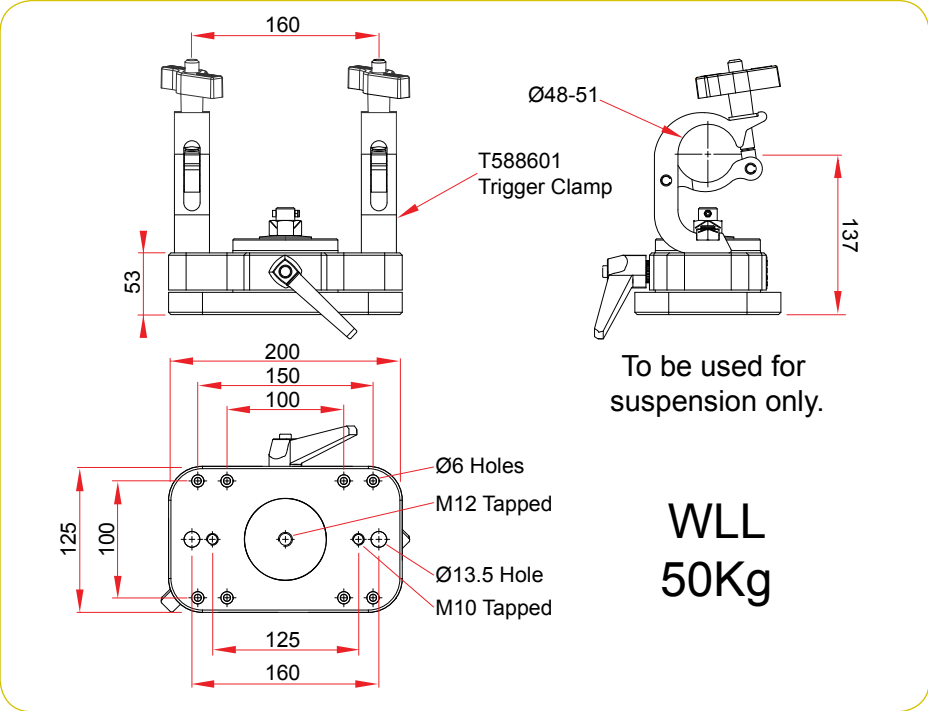


T54410

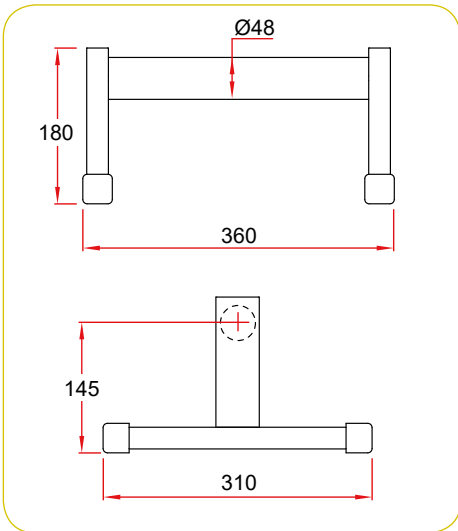
WLL 50kg

4.20kg

An assembly designed to allow a followspot to be mounted to a rail. This assembly enables full 360° of smooth rotation.



Floor Stand



T54155

Ø48mm

50kg

4.20kg

A simple floor stand which allows a moving head to be used at floor level without removing any clamps/couplers attached.

Floor Lighting Plates

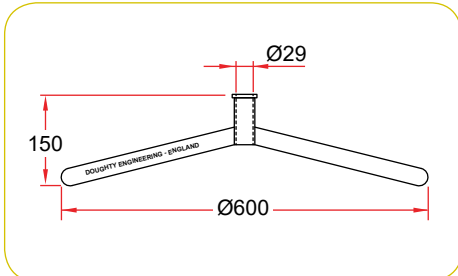


T54150

1.28kg

A 250mm x 250mm floor plate to suit a Hook Clamp (T20100).

Nipper Stand



T54100

10kg without extension

1.28kg

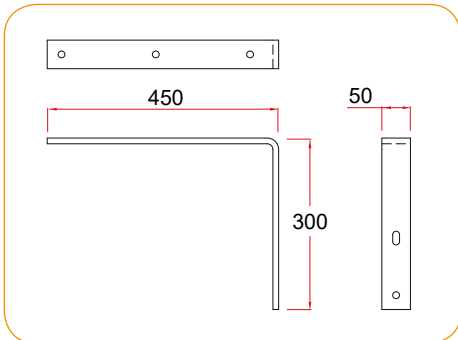
A low folding cast aluminium stand with 29mm receiver.

Wall Brackets

The Wall Bracket range is a comprehensive range of steel bracketry designed primarily to be wall mounted, allowing fixtures and tubes to be suspended from a vertical surface.

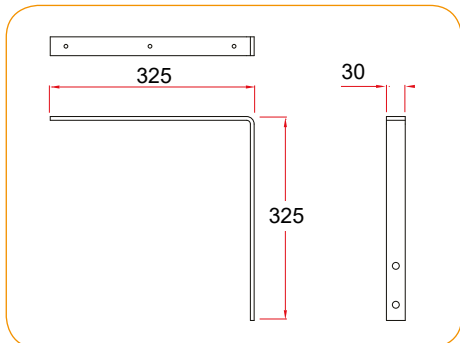


Wall Bracket (Heavy Duty)



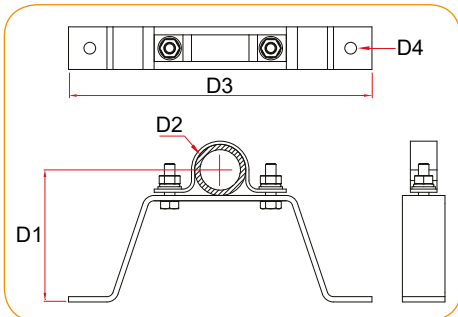
T33900 WLL 20kg Fixing Holes Ø12mm 2.60kg
 Accepts T30800 Saddle Clamp.

Wall Bracket (Light Duty)



T33800 WLL 3kg Fixing Holes Ø6mm 0.85kg
 Accepts T56600 48mm "U" bolt.

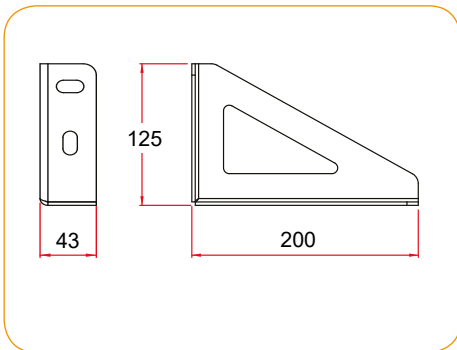
Pipe to Wall Brackets



	WLL	D1	D2	D3	D4	kg
T33300	30kg	325mm	Ø48mm	350mm	Ø11mm	1.48kg
T33310	60kg	125mm	Ø48mm	245mm	Ø11mm	0.83kg

The Slotted Wall Bracket range has been designed to be compatible with the slots featured in unistrut channels.

Studio Rail Slotted Wall Bracket 200mm (single rail)



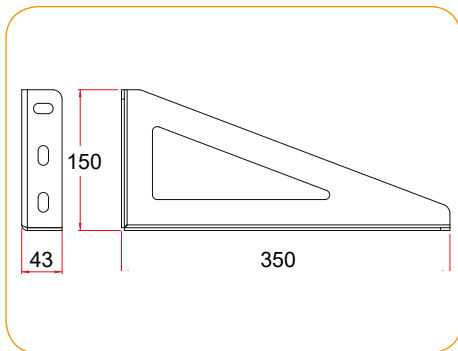
T84105

WLL 25kg

Slotted to suit M10 Fixings

0.52kg

Studio Rail Slotted Wall Bracket 350mm (double rail)



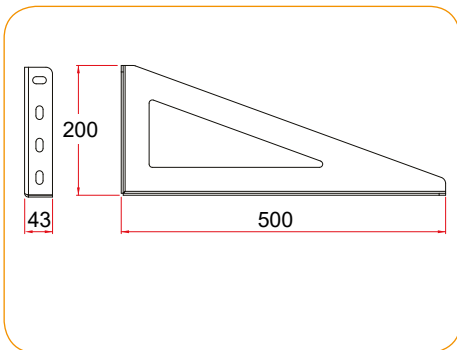
T84106

WLL 25kg

Slotted to suit M10 Fixings

0.90kg

Studio Rail Slotted Wall Bracket 500mm (triple rail)



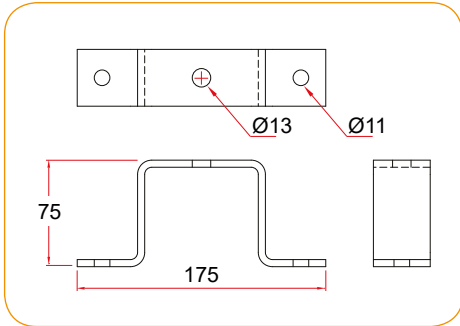
T84107

WLL 25kg

Slotted to suit M10 Fixings

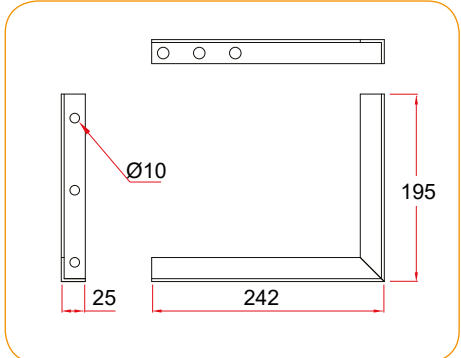
1.50kg

Ceiling Saddle



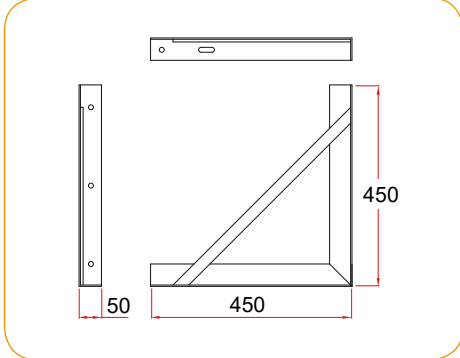
T33700	Silver	WLL 160kg	0.44kg
T3370001	Black	WLL 160kg	0.44kg

Face Fixing Bracket



T34100	WLL15kg	Fixing Holes Ø10mm	0.43kg
--------	---------	--------------------	--------

Wall Bracket (angle iron)



T34000	WLL 30kg	Fixing Holes Ø11mm	2.72kg
--------	----------	--------------------	--------

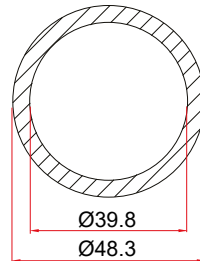
Accepts T30800 Saddle Clamp.

Pipes & Tubes

A selection of aluminium and galvanised tubes supplied in full or cut lengths. Specified lengths are available on request.

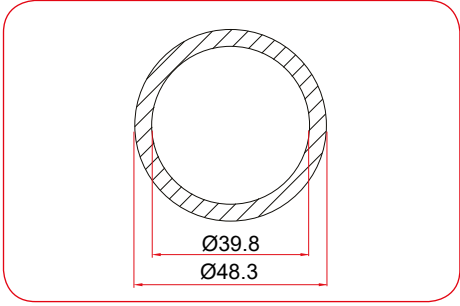


Aluminium Barrel

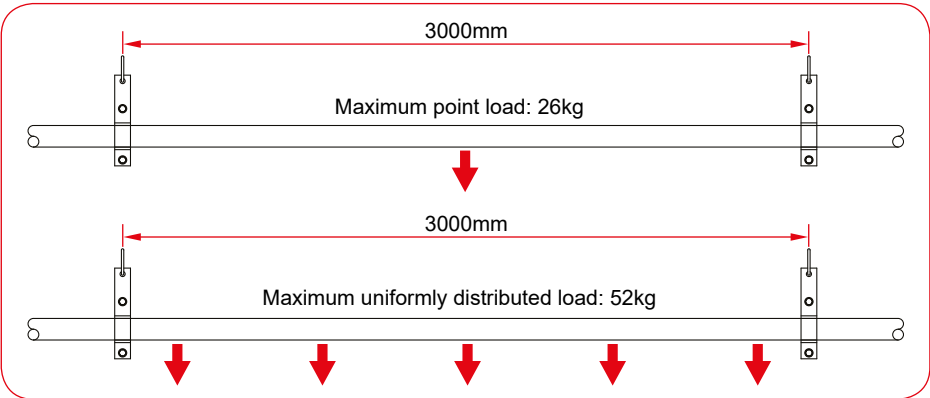
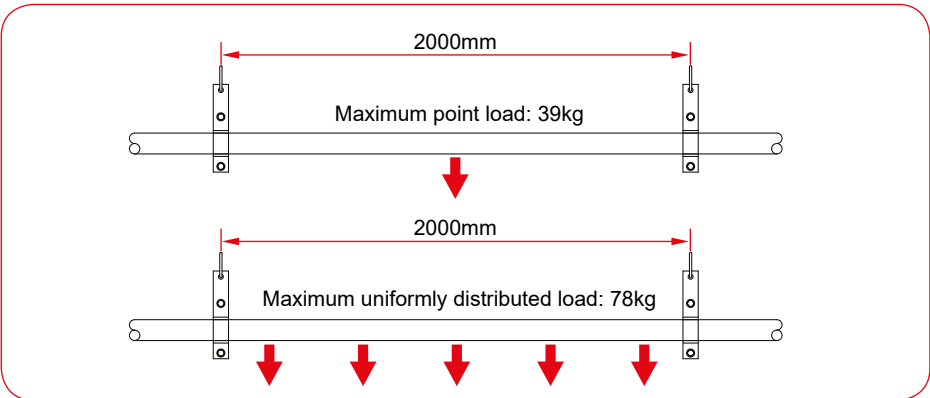


T24000	6.0m	9.76kg
T24004	4.0m	7.00kg
T24003	3.0m	4.80kg
T24002	2.0m	3.20kg
T24001	1.0m	1.60kg
T24015	1.5m	2.40kg

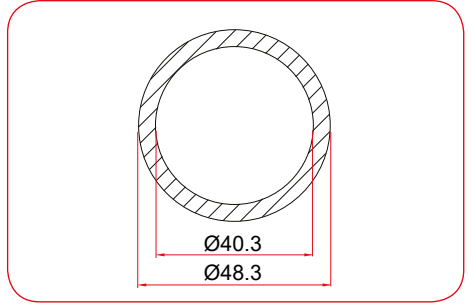
Aluminium Barrel (black anodised)



T2400001	6.0m	9.76kg
T2400401	4.0m	7.00kg
T2400301	3.0m	4.80kg
T2400201	2.0m	3.20kg
T2400101	1.0m	1.60kg
T2401501	1.5m	2.40kg



Galvanised Steel Tube

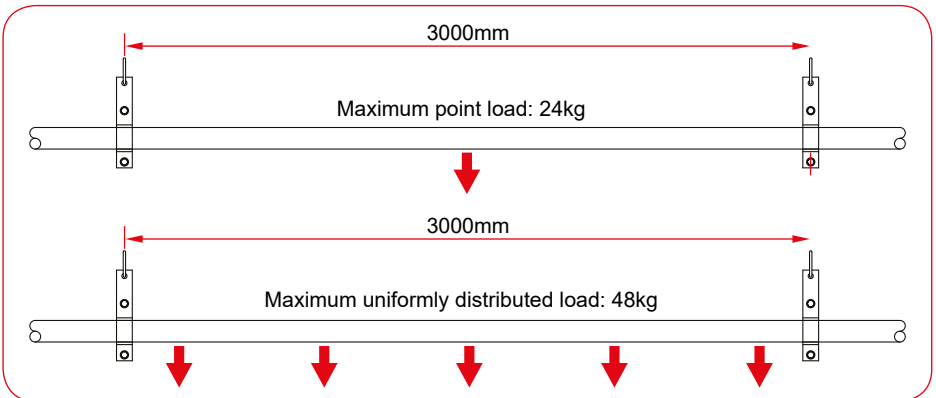
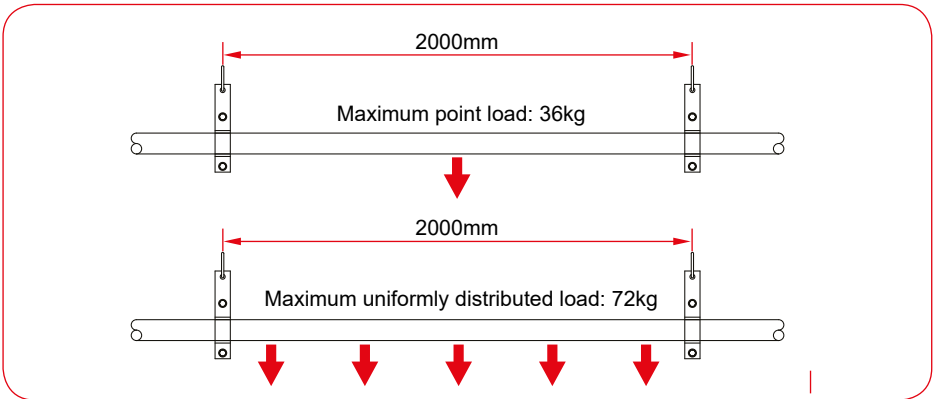


T24010

6.0m

26.7kg

Other sizes available on request.



Scaffold Clamps

Suitable for 48mm diameter steel or aluminium tube, these clamps are useful for quickly creating grids, frames and towers for lighting or scenery from standard tube.

Supplied with an electroplate finish.

These clamps are **not** recommended for permanent installs.

Scaffold Swivel Coupler (pressed steel)



T24800

Ø48mm

0.90kg

Scaffold Double Coupler (pressed steel)



T24900

Ø48mm

1.02kg

Drop Forged Swivel Coupler



T24801

Ø48mm

1.18kg

Drop Forged Double Coupler



T24901

Ø48mm

1.12kg

Tube Clip Crossover Joint



T25150 Ø48mm 0.37kg

Scaffold Parallel Coupler



T24905 Ø48mm 0.77kg

Pipe to Pipe Coupler



T30100 310mm Lg Ø48mm
 T30101 200mm Lg Ø38mm

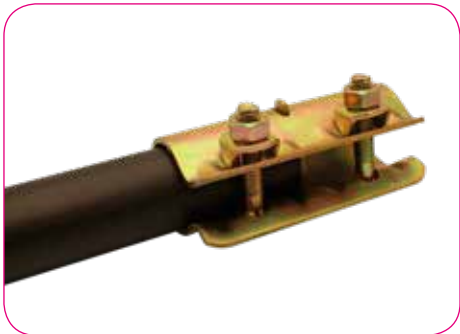
Scaffold Solid Tube Joiner



8mm Allen Key Required - T19200

T25108 200mm Lg Ø48mm 2.64kg
 T2510801 - Black 200mm Lg Ø48mm 2.64kg

Scaffold Sleeve Coupler



T25000 Ø48mm 1.00kg

Scaffold Joint Pin



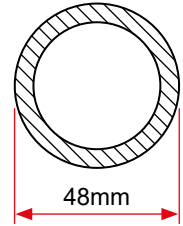
T25100 Ø48mm 0.85kg

Speedrail®




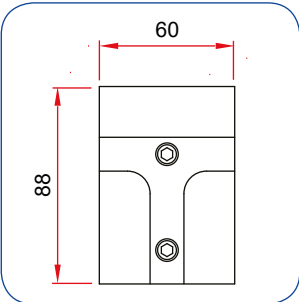
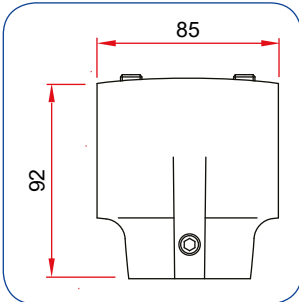
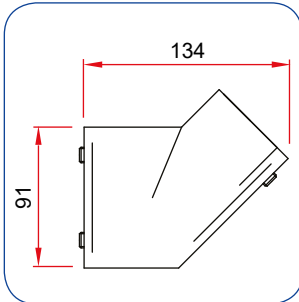
Speedrail is a range of magnesium alloy pipe fittings which are used to create handrails, guards and walkways etc.

Main features:

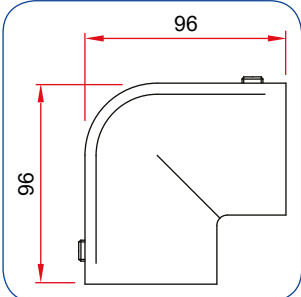
- High corrosion resistance
- Up to 70% lighter than iron fittings
- 100% salvageable & reusable
- Comparable strength to iron fittings
- All fittings shown here are to suit 48mm tube. Other sizes are available, please contact our technical sales team.



Please note that these are a cast item and as such any dimensions stated may vary slightly from batch to batch, therefore should be used for reference purposes only.

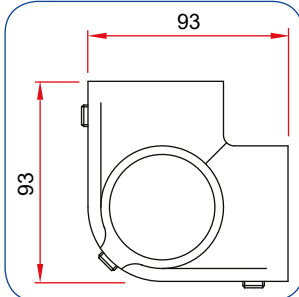
Short Tee (slimline)	Long Tee	Angle Tee 45°
		
		
T194005E 0.18kg	T194005 0.29kg	T194006 0.41kg

90° Elbow



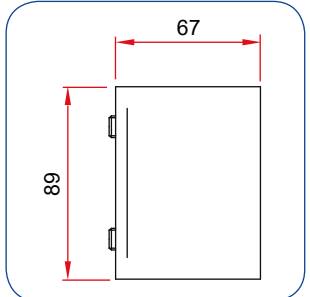
T194003 0.28kg

3-Way 90° Elbow



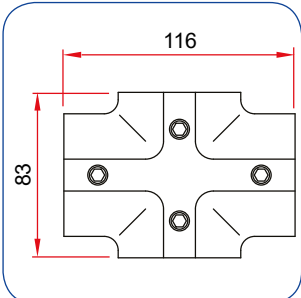
T194009 0.33kg

Sleeve Joint



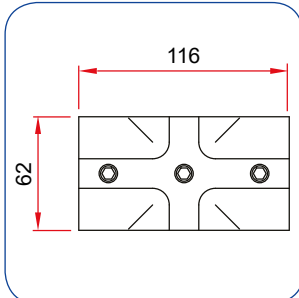
T194070 0.26kg

Two Socket Cross



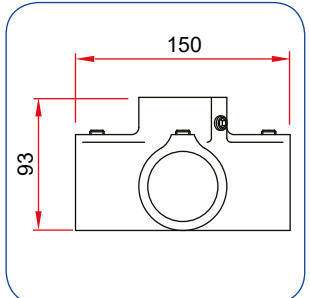
T194007 0.35kg

Two Socket Cross (slimline)



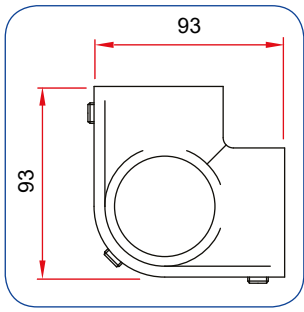
T194007E 0.28kg

4-Way Cross



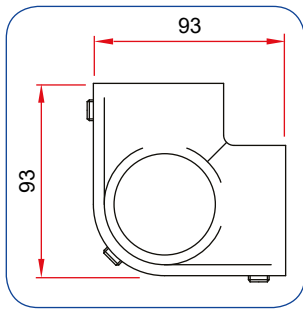
T194106E 0.72kg

Corner (s) with Thru Tube



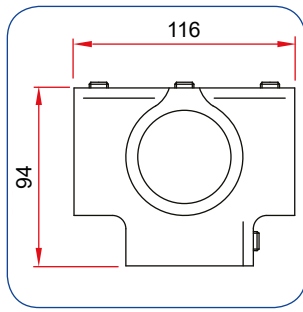
T194011E 0.25kg

Corner with Thru Tube



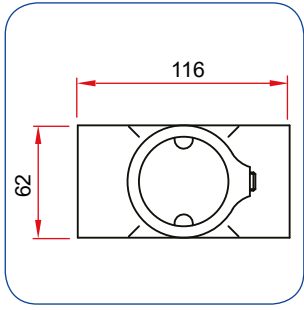
T194011 0.32kg

Side Outlet Tee



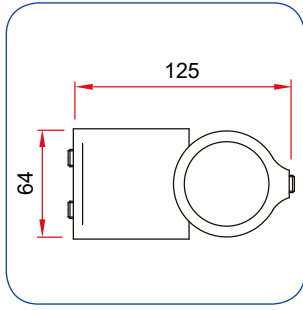
T194013 0.39kg

Side Outlet Tee (slimline)



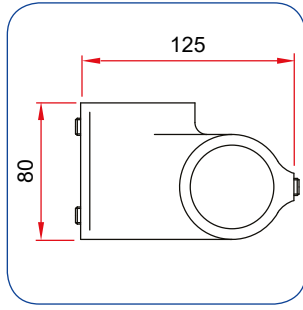
T194013E 0.31kg

Short 90° Crossover



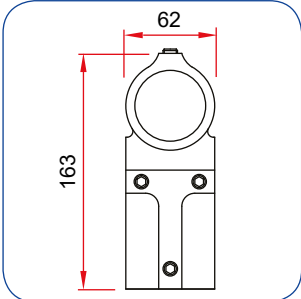
T194012 0.37kg

Long 90° Crossover



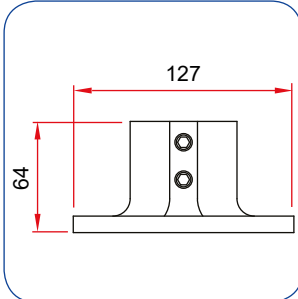
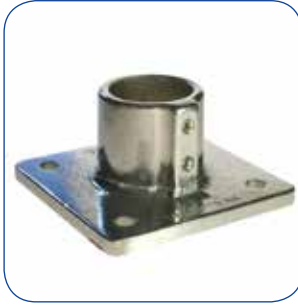
T194010 0.44kg

Combination Socket



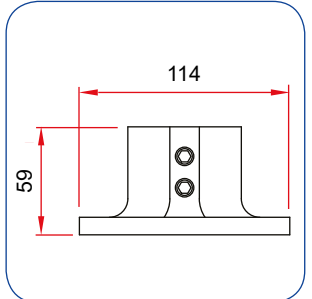
T194104 0.55kg

Floor Flange



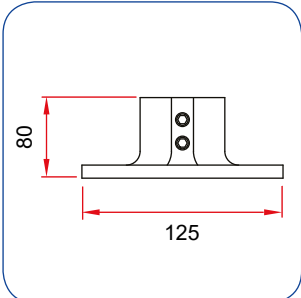
T194045 0.5kg

Base Flange



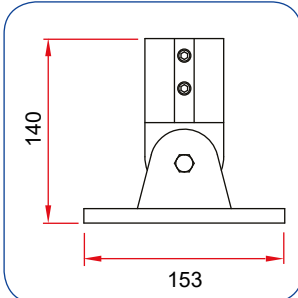
T194042 0.35kg

Flange



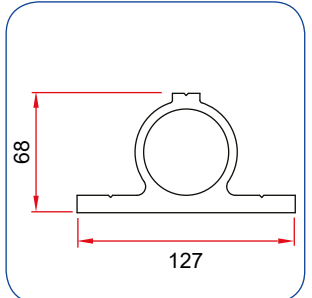
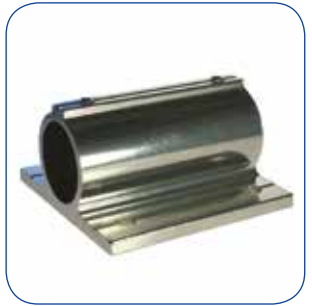
T194046 0.27kg

Adjustable Flange



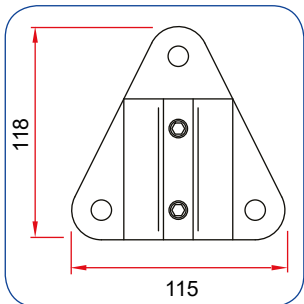
T194046ADJ 0.82kg

Wall Flange



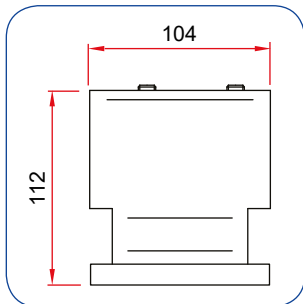
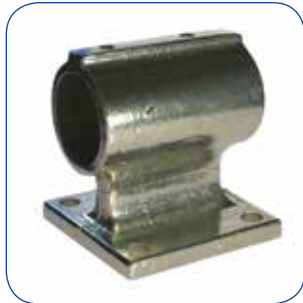
T194595 0.7kg

Side Palm Fixing



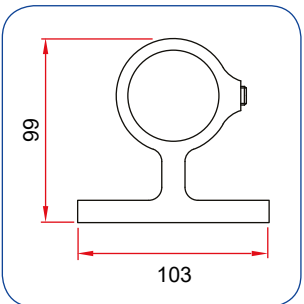
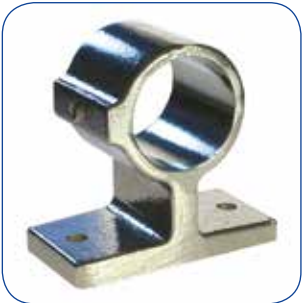
T194050 0.35kg

Railing Side Support



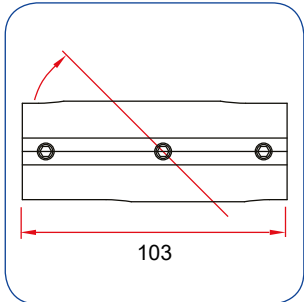
T194054/3 0.79kg

Support Bracket



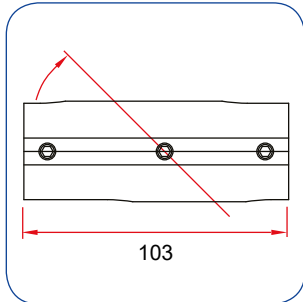
T194055 0.30kg

Angled Cross 10° - 35°



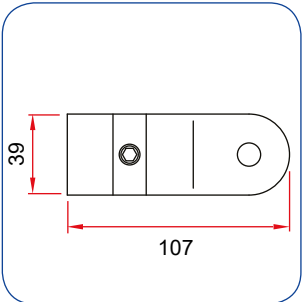
T194021-35 0.44kg

Angled Cross 30° - 45°



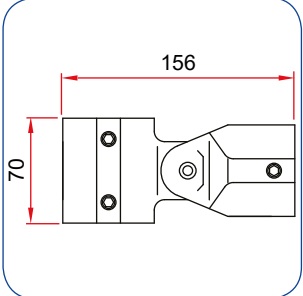
T194021-45 0.25kg

Male Section of Swivel



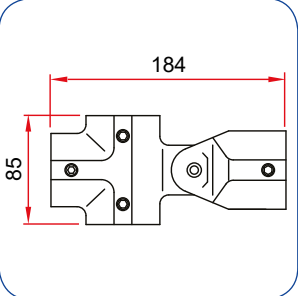
T194017EM 0.14kg

Swivel Elbow / Tee Combo



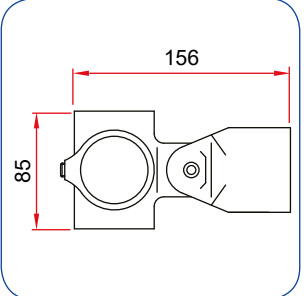
T194017ADJ 0.49kg

Swivel Tee Combination



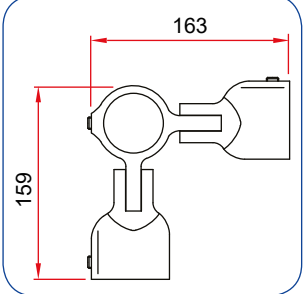
T194023 0.52kg

Swivel Side Outlet Combo



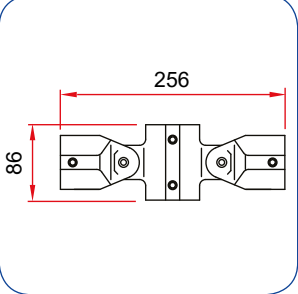
T194025 0.52kg

Swivel Double-Side Combo



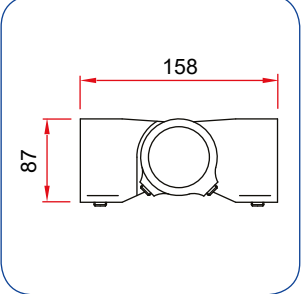
T194027 0.75kg

Double Swivel Combination



T194019 0.75kg

Short Swivel Tee



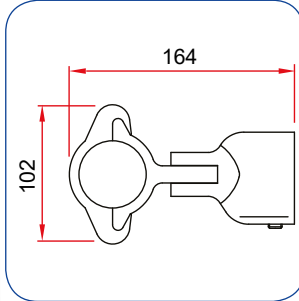
T194030C 0.54kg

Modular Fittings

Designed to fit existing structures.

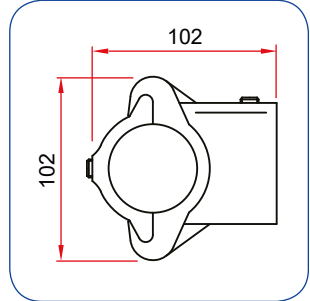


Modular Swivel Elbow / Tee



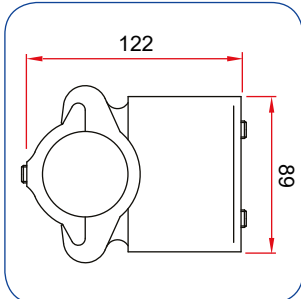
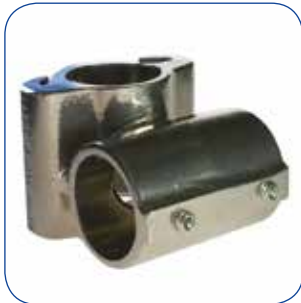
T194017S 0.8kg

Modular Tee



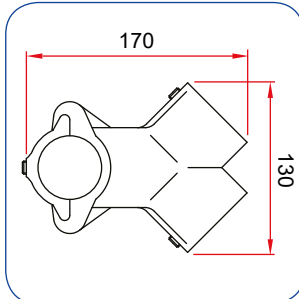
T194002S 0.53kg

Modular 90° Crossover



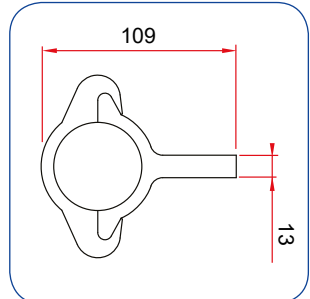
T194014S 0.64kg

Modular Corner with Thru Tube



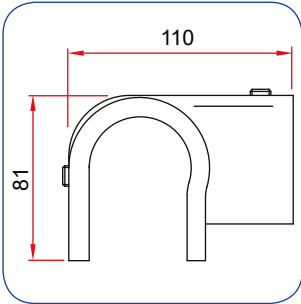
T194022S 0.25kg

Modular Swivel / Tee Male



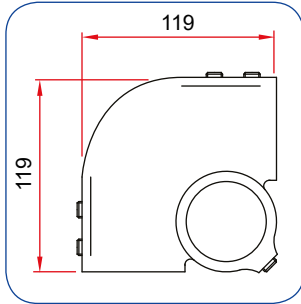
T194017SM 0.49kg

Clamp on Tee



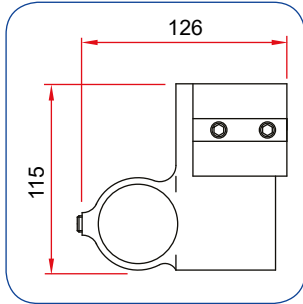
T194016 0.35kg

Outside Corner



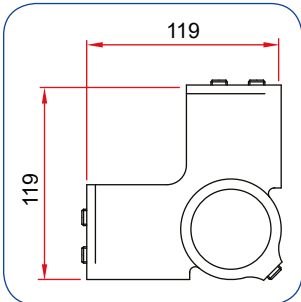
T194020 0.66kg

Rackmaster End Fitting



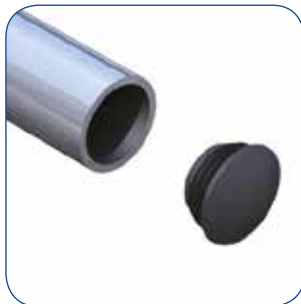
T194100 0.77kg

Rackmaster Centre Fitting



T194102 0.48kg

Plastic Stop End



T13300 Grey
T13301 Black

Allen Screw



T194120 Plated

3/16" Allen Key



T194122

Pipeclamps

Pipeclamp fittings are malleable iron castings with a galvanised finish to BS729. Pipeclamp standard fittings are available to suit pipes with an external diameter from 33.7mm to 60mm.

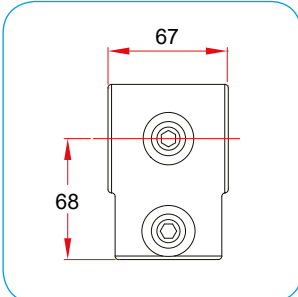
Main features:

- High corrosion resistance
- 100% salvageable & reusable
- All fittings shown here are to suit 48mm tube. Other sizes are available, please contact our technical sales team.

Please note that these are a cast item and as such any dimensions stated may vary slightly from batch to batch, therefore should be used for reference purposes only.



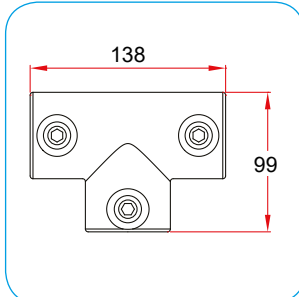
Short Tee



T10100

0.53kg

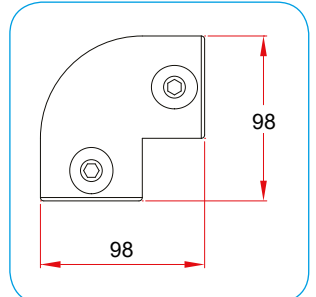
Long Tee



T10400

1.04kg

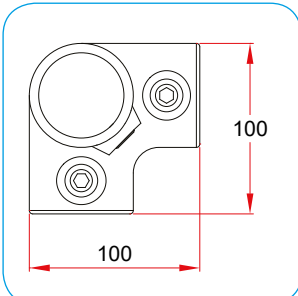
Elbow 90°



T12500

0.87kg

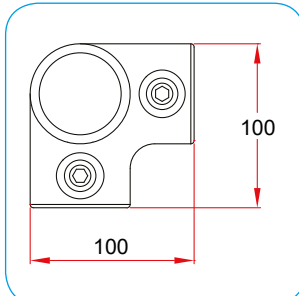
3-Way Elbow 90°



T12800

1.18kg

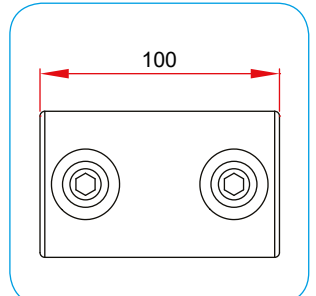
Corner with Thru Tube



T11600

0.92kg

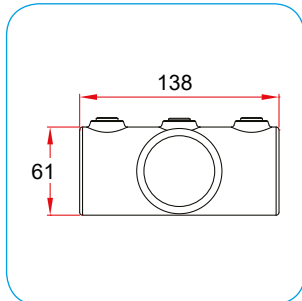
Sleeve Joint



T14900

0.72kg

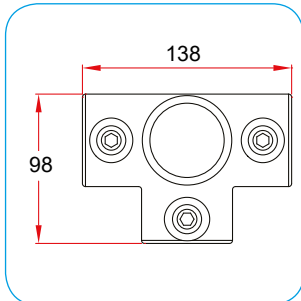
Two Socket Crossover



T11900

0.80kg

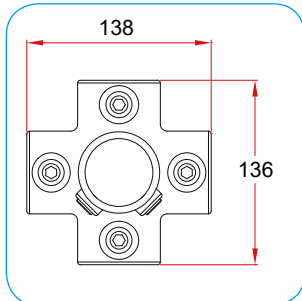
Side Outlet Tee



T17600

1.22kg

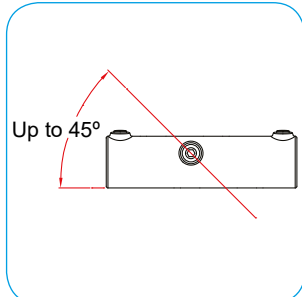
4-Way Cross



T15800

1.58kg

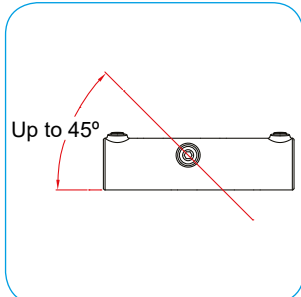
Angle Cross slopes to 45°



T12600

1.62kg

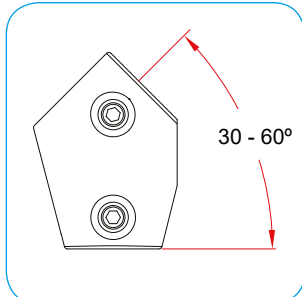
Angle Tee slopes to 45°



T12700

1.21kg

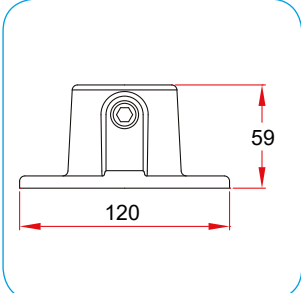
Adj Short Tee 30 - 60°



T12900

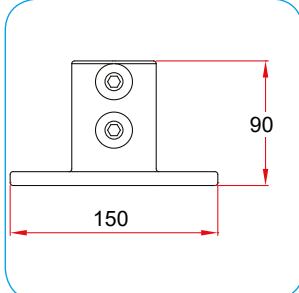
0.97kg

Base Flange



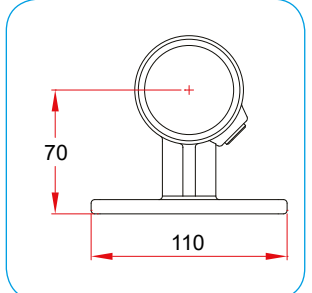
T13100 0.85kg

Railing Base Flange



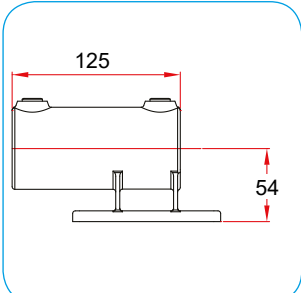
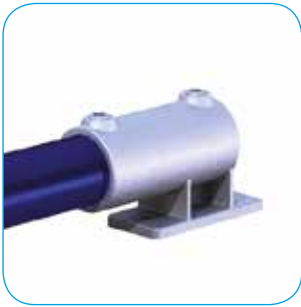
T13200 1.27kg

Handrail Bracket



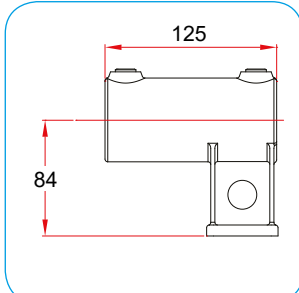
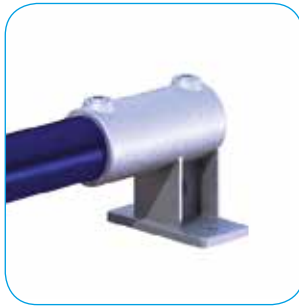
T14300 0.63kg

Railing Side Support (V)



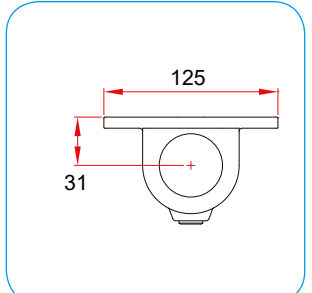
T14400 1.50kg

Railing Side Support (H)



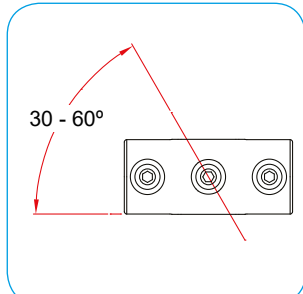
T14500 1.02kg

Side Palm Fixing



T14600 1.04kg

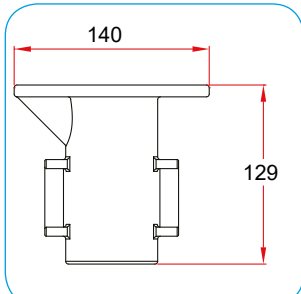
Adj Two Socket Cross



T13000

1.56kg

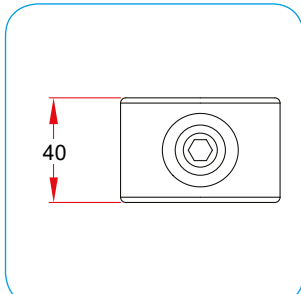
Ground Socket



T13400

1.95kg

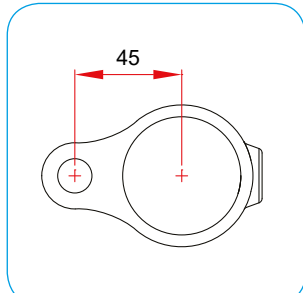
Locking Collar



T17900

0.20kg

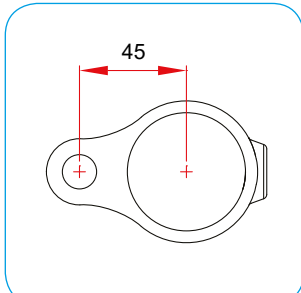
Gate Eye



T13800

0.26kg

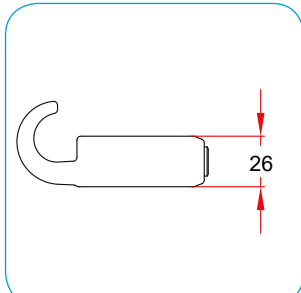
Gate Hinge



T14000

0.30kg

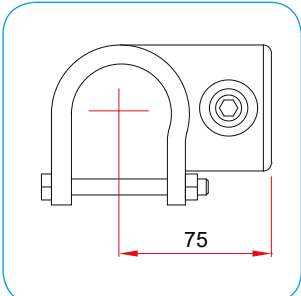
Hook



T18200

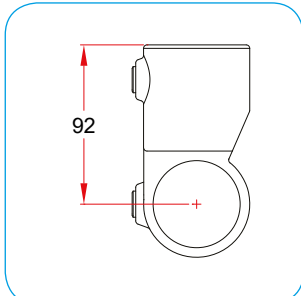
0.34kg

Clamp on Tee



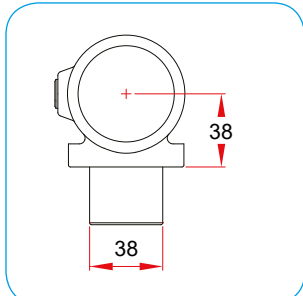
T13500 0.57kg

Short Tee Swivel



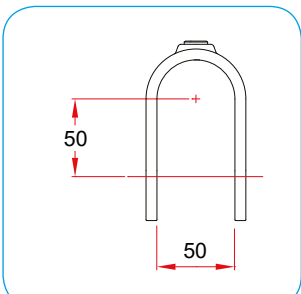
T14800 1.15kg

Internal Swivel Tee



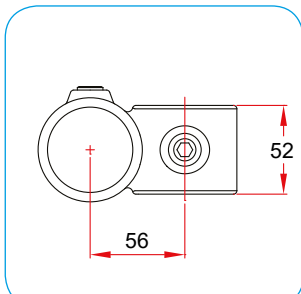
T14700 0.61kg

Clamp on Crossover



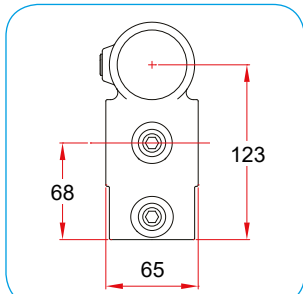
T16000 0.62kg

Crossover 90°



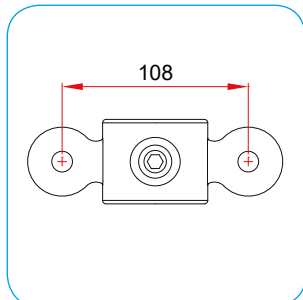
T16100 0.64kg

Combination Socket Tee



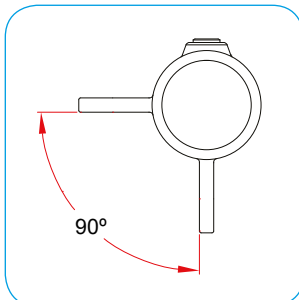
T16500 1.02kg

Double Male Section of Swivel



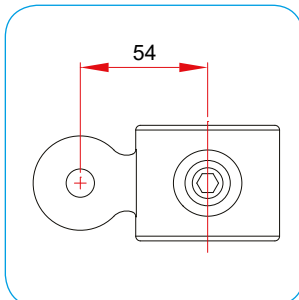
T16700M 0.46kg

Corner Swivel Combo 90° (male)



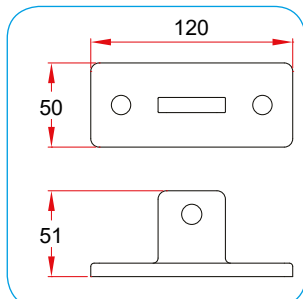
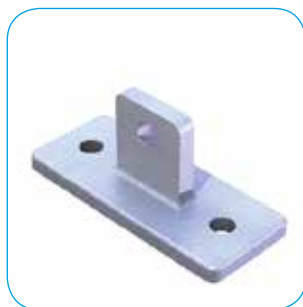
T16800M 0.47kg

Swivel (male section)



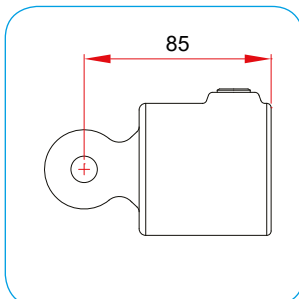
T17300M 0.30kg

Swivel Base Section (male)



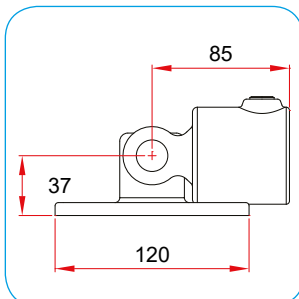
T16900M 0.41kg

Swivel (female section)



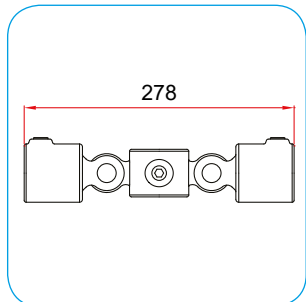
T17300F 0.52kg

Swivel Base



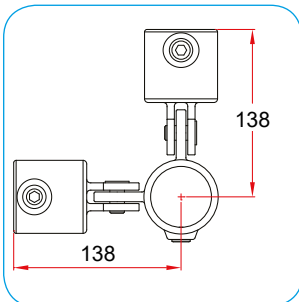
T16900 0.99kg

Double Swivel Combination



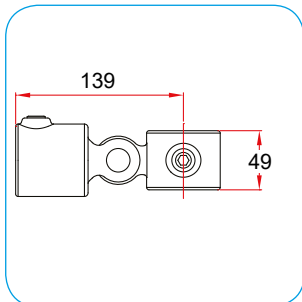
T16700 1.72kg

Corner Swivel Combo 90°



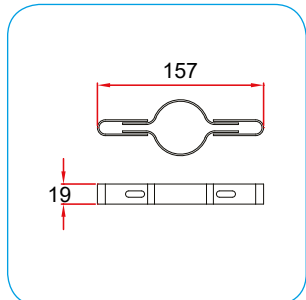
T16800 1.72kg

Single Swivel Combination



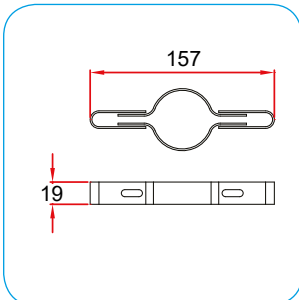
T17300 0.98kg

Single Mesh Clip



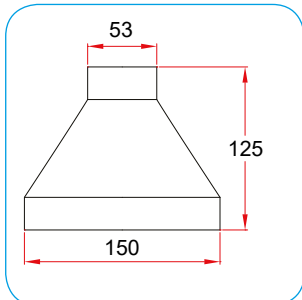
T17000 0.08kg

Double Mesh Clip



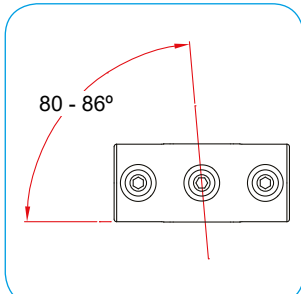
T17100 0.15kg

Base Weather Shield



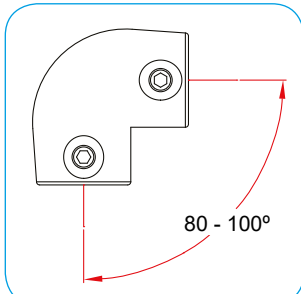
T18250 0.48kg

Angled Two Socket Cross



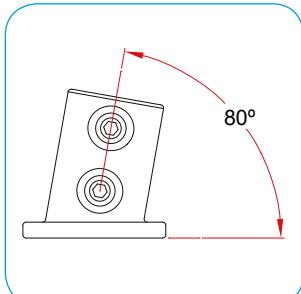
T17625 0.94kg

Angled Elbow



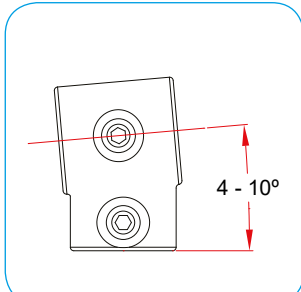
T17629 0.93kg

Angled Base Flange



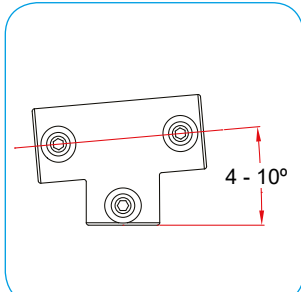
T17622 1.21kg

Angled Single Socket Tee



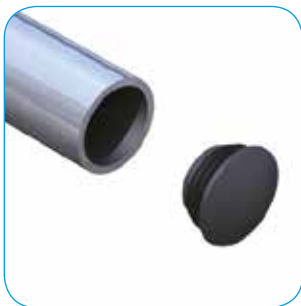
T17620 0.72kg

Angled Two Socket Tee



T17621 1.28kg

Plastic Stop End



T13300 Grey
T13301 Black

Allen Screw



T19300

Ratchet Key



T19100

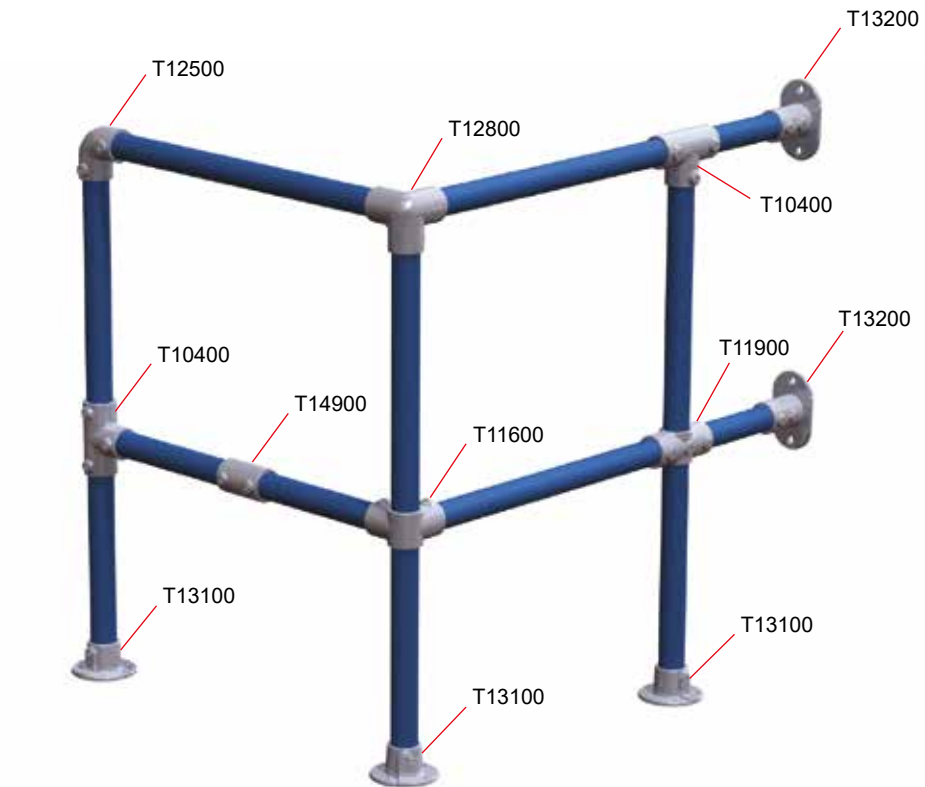
6 & 8mm

8mm Allen Key



T19200

8mm



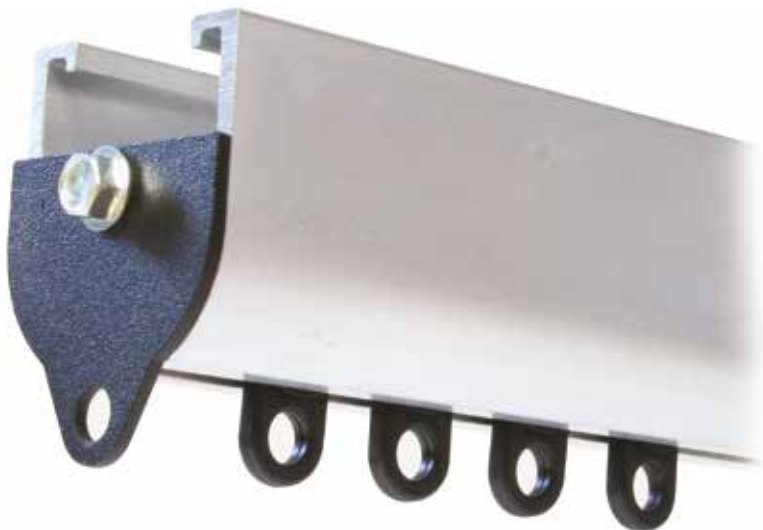
Doughty Rail

Doughty Rail is an Extruded Aluminium Walk Along Curtain Rail System. The system has been designed to have a low profile with compact ball raced curtain runners. The top suspension channel is dimensioned to work with 'Unistrut' nuts.

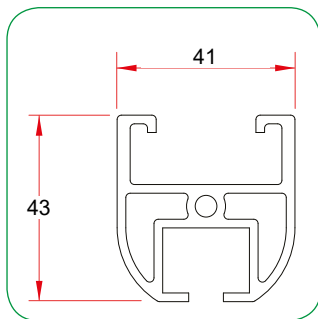
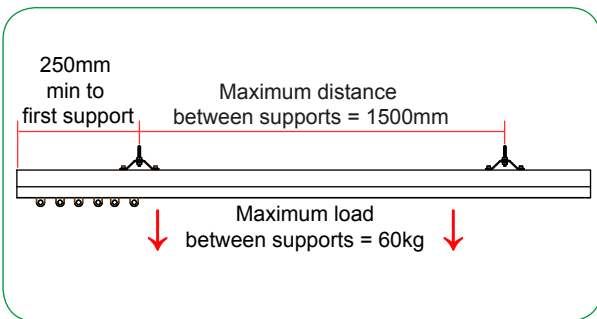
Available powder painted black or natural aluminium.

Main features:

- Low profile extruded aluminium section
- Can be cut to length on-site
- Curves from 450mm radius
- Single swipe or overlap curtains
- Ball raced runners with 6kg WLL
- Walkalong only system
- Finished in black powder coat or natural aluminium

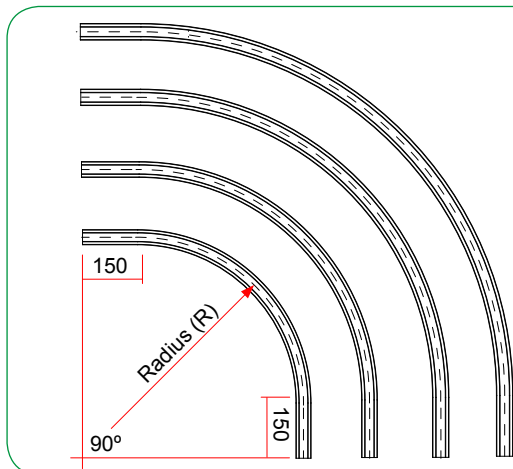


Straight Rails



Silver			Black		
T81000	1m	2.90kg	T81001	1m	2.90kg
T81010	2m	4.30kg	T81011	2m	4.30kg
T81020	3m	5.80kg	T81021	3m	5.80kg

Curved Rails 90°

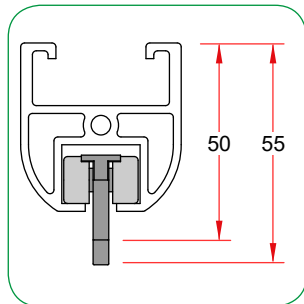


All curves are supplied with a 150mm straight lead in and lead out to aid assembly.

Special curves are available on Request.

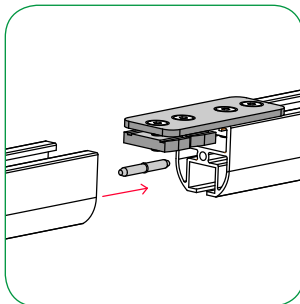
Silver			Black		
T81050	R=45cm	2.15kg	T81051	R=45cm	2.15kg
T81060	R=60cm	2.49kg	T81061	R=60cm	2.49kg
T81070	R=75cm	2.83kg	T81071	R=75cm	2.83kg
T81080	R=90cm	3.18kg	T81081	R=90cm	3.18kg

Ball Raced Runner



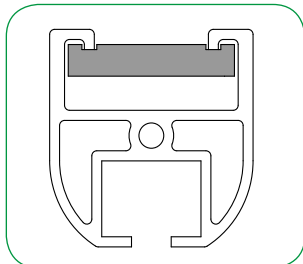
T81200 0.46kg

Joint Kit



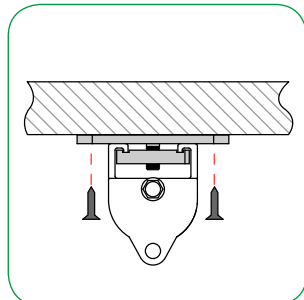
T81100 0.47kg

Channel Nut



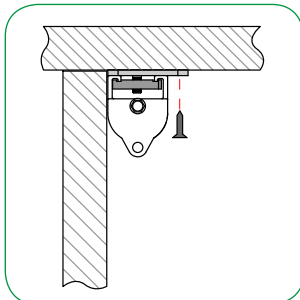
T81190	M6
T81191	M8
T81192	M10

Ceiling Bracket



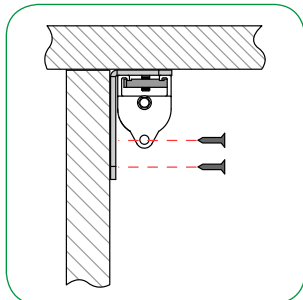
T81110 0.41kg

Corner Ceiling Bracket



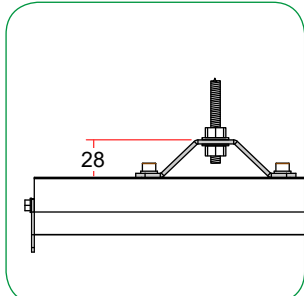
T81120 0.52kg

Wall Bracket



T81170 0.99kg

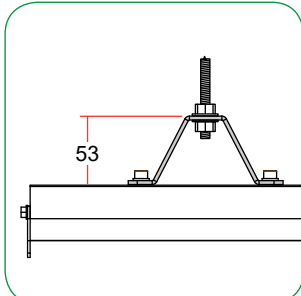
25mm Top Hat Bracket



T81140

0.46kg

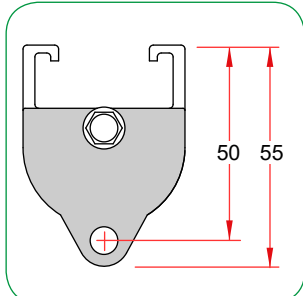
50mm Top Hat Bracket



T81150

0.47kg

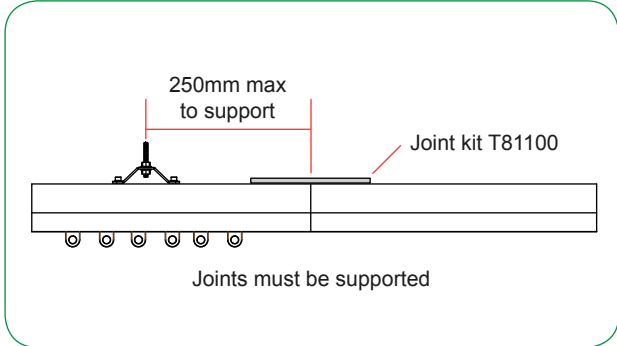
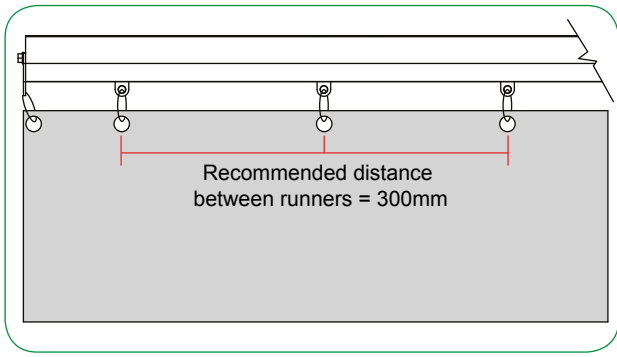
End Stop



T81160

0.30kg

Slide In End Stop



T81161

0.41kg

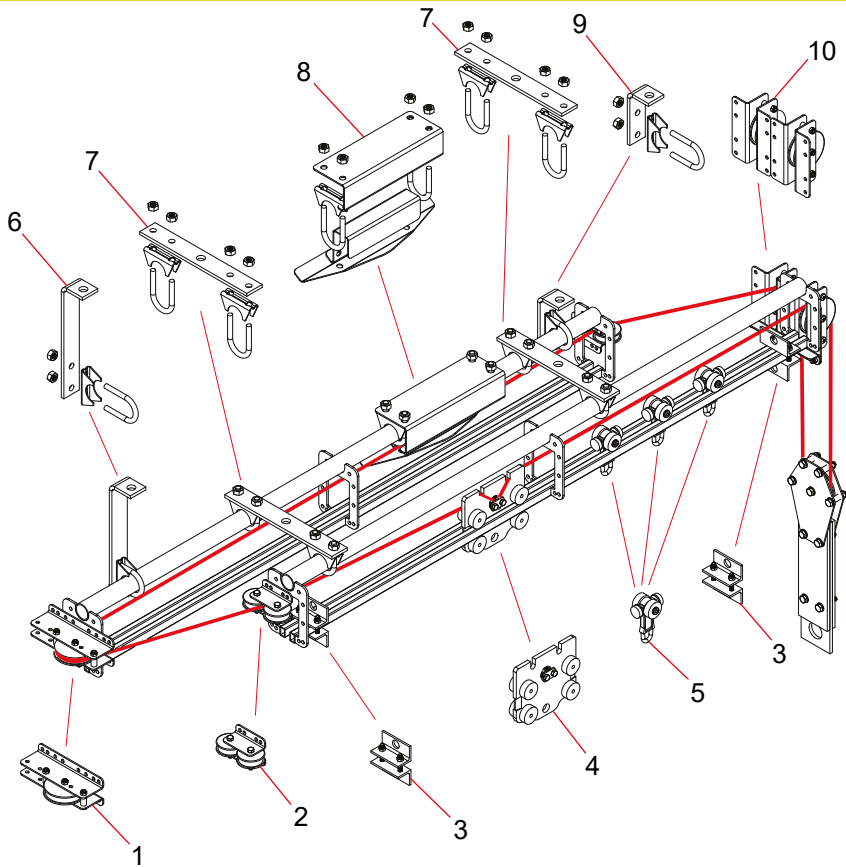
Six Track

Six Track is a modular curtain track system suitable for a wide range of stage and studio applications. The information in this brochure is for standard products to suit most typical applications. We also offer curved tracks and special systems built to your requirements. Please contact our technical sales team for further details.

Main features:

- Strong steel fabrication using a tubular top hanging bar and rectangular section tube rails
- Straight lengths up to 3 metres
- Curves from 500mm radius
- Single swipe or overlap curtains
- Ball raced runners with 6kg WLL
- Walkalong, handline, hand winch and electric options
- Black powder coated finish





- | | |
|-------------------------------|--------------------------------------|
| 1. T63775 Return Pulley | 6. T63750 Adjustable Support Bracket |
| 2. T63778 Double Guide Pulley | 7. T63752 Overlap Bracket |
| 3. T63760 End Stop | 8. T63770 Line Support |
| 4. T63755 Master Runner | 9. T63751 Short Support Bracket |
| 5. T63756 Ball Raced Runner | 10. T63776 Twin Head Pulley |

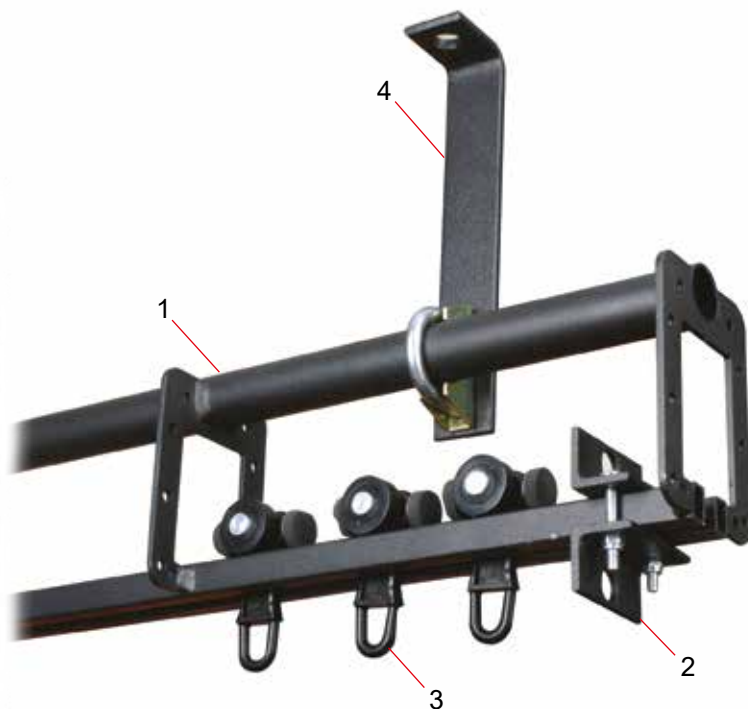
Recommendations:

1. Maximum length for an overlap track is 18 metres
2. Maximum length for a single track is 10 metres
3. Maximum span between supports (cloth open) 2.25 metres
4. Maximum span between supports (cloth bunched) 1.60 metres
5. Maximum runner spacing 300mm
6. Maximum load per runner 6kg
7. Line guides should be fitted at 2.5 metre intervals on straight sections
8. Six track has been designed for use with 8mm pre-stretched polyester cord

Walkalong Track Kits

Walkalong track kits include all the components required to install your chosen track length. A typical kit comprises track, end stops, ball raced runners, adjustable support brackets and a nut and bolt set.

Note: Other support brackets and fasteners may be required depending on individual installation methods.



1. Straight track
2. T63760 End stops (2 pairs per kit)
3. T63756 Ball raced runners (1 per 300mm of track)
4. T63750 Adjustable support brackets (1 per 1500mm of track)

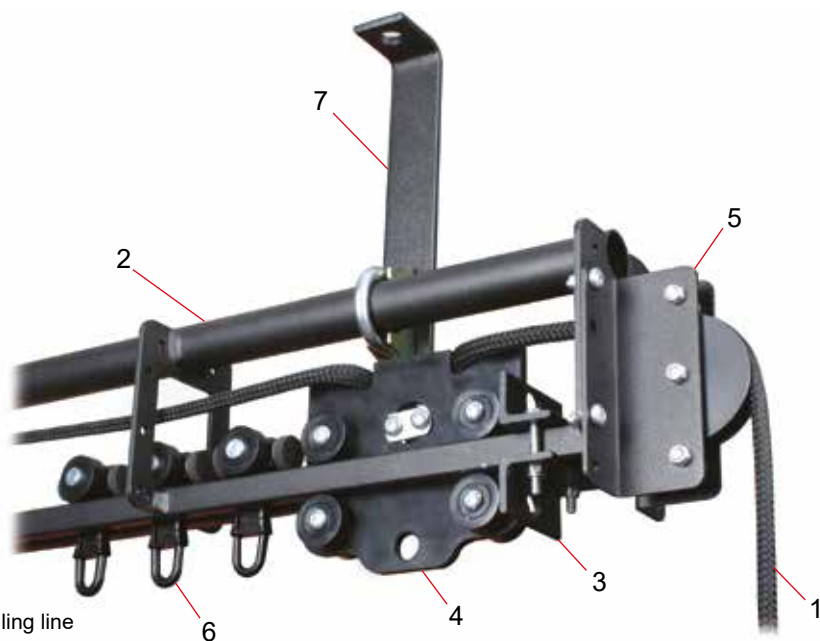
Walkalong Six Track Kits

T63941	4m	T63945	8m	T63949	12m
T63942	5m	T63946	9m	T63950	13m
T63943	6m	T63947	10m	T63951	14m
T63944	7m	T63948	11m	T63952	15m

Line Operated Track Kits

Line operated track kits include all the components required to install your chosen track length. A typical kit comprises track, adjustable support brackets, a nut and bolt set, master runner, pulleys, hauling line, line supports and a weighted hand pulley.

Note: Other support brackets and fasteners may be required depending on individual installation methods.



1. Hauling line
2. Straight track
3. T63760 End stops (2 pairs per kit)
4. T63755 Master runner (1 per Kit)
5. Pulleys (1 return pulley & 1 twin head pulley)
6. T63756 Ball raced runners (1 per 300mm of track)
7. T63750 Adjustable support brackets (1 per 1500mm of track)
8. Line support and weighted hand pulley (not shown)

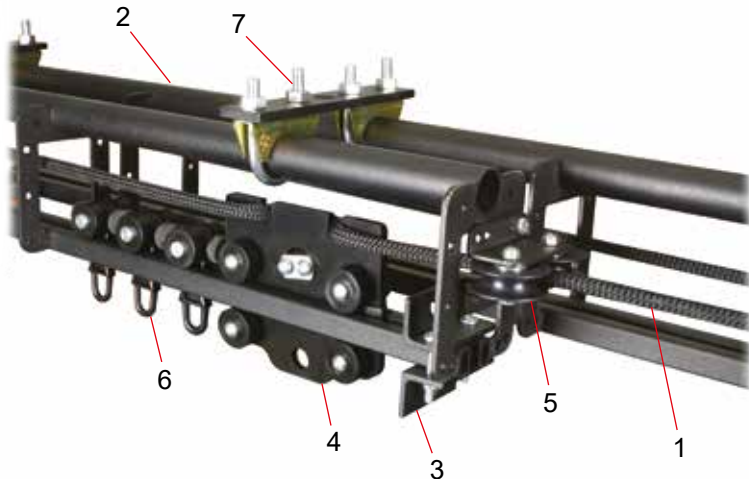
Line Operated Six Track Kits

T63908	4m	T63912	8m	T63916	12m
T63909	5m	T63913	9m	T63917	13m
T63910	6m	T63914	10m	T63918	14m
T63911	7m	T63915	11m	T63919	15m

Line Operated Track Kits with Overlap

Line operated track kits with overlap include all the components required to install your chosen track length. A typical kit comprises track, end stops, ball raced runners, adjustable support brackets, a nut and bolt set, master runners, pulleys, hauling line, line supports, overlap brackets, overlap pulleys and a weighted hand pulley.

Note: Other support brackets and fasteners may be required depending on individual installation methods.



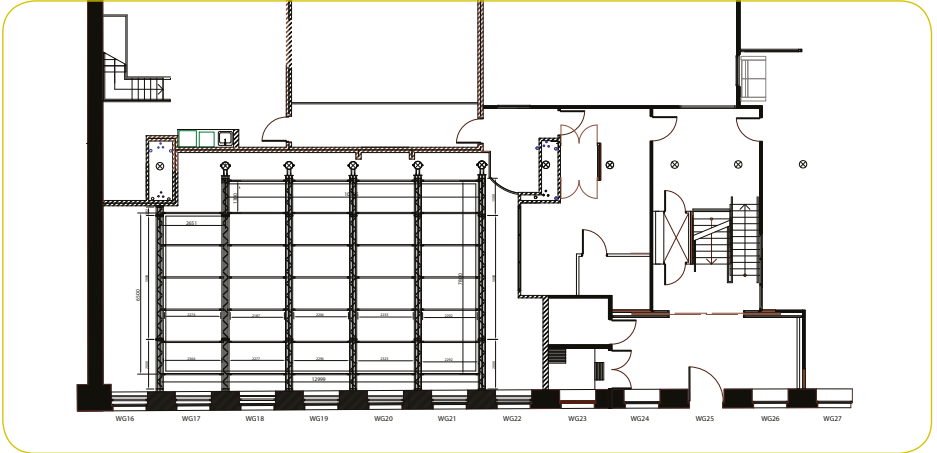
1. Hauling line
2. Straight track
3. T63760 End stops (2 pairs per kit)
4. T63755 Master runner (2 per Kit)
5. Pulleys (2 guide pulleys, 1 return pulley & 1 twin head pulley)
6. T63756 Ball raced runners (1 per 300mm of track)
7. T63752 Overlap brackets (2 per Kit)
8. Line supports, weighted hand pulley and adjustable support brackets (not shown)

Line Operated Track Kits with Overlap

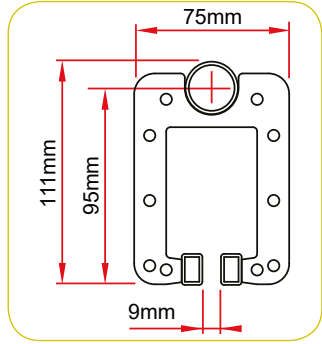
T63920	4m	T63924	8m	T63928	12m
T63921	5m	T63925	9m	T63929	13m
T63922	6m	T63926	10m	T63930	14m
T63923	7m	T63927	11m	T63931	15m

Bespoke Kits

Doughty Engineering Ltd offer a bespoke Six Track kit service. Simply submit your building plans or architect's drawings and our technical sales team will create a quote and parts list to suit your installation.

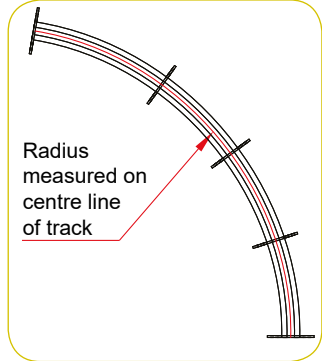


Track Sections



Six Track Straight Track Sections

T63705	Straight Track Section - 0.25m	0.63kg
T63706	Straight Track Section - 0.5m	1.19kg
T63707	Straight Track Section - 0.75m	1.99kg
T63708	Straight Track Section - 1m	2.69kg
T63710	Straight Track Section - 2m	4.47kg
T63715	Straight Track Section - 3m	6.71kg



Six Track Curved (Radius) Track Sections

90 Degrees			45 Degrees		
T63730	0.5m x 90°	1.96kg	T63735	0.5m x 45°	1.00kg
T63733	0.6m x 90°	2.17kg	T63736	0.75m x 45°	1.40kg
T63731	0.75m x 90°	2.73kg	T63737	1m x 45°	1.82kg
T63734	0.9m x 90°	3.50kg	Notes: 2 metre curves are supplied as 2 sections, 3 metre curves are supplied as 3 sections. Special straight sections and radius curves can be made to order, contact our technical sales team.		
T63732	1m x 90°	3.62kg			
T63738	2m x 90°	7.20kg			
T63739	3m x 90°	10.8kg			



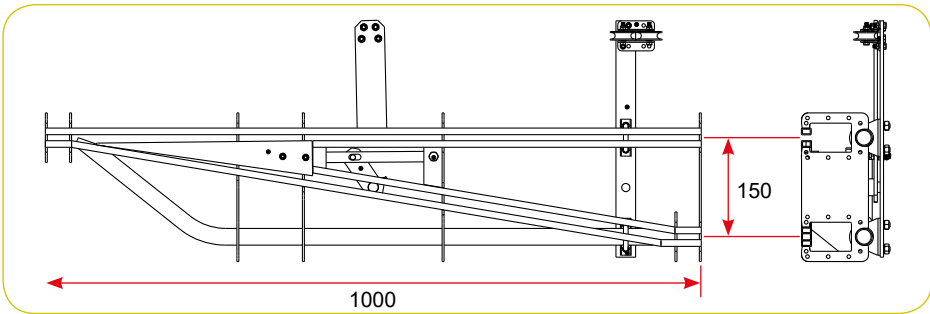
T63726

T63727

Six Track Points System (left handed)

T63726

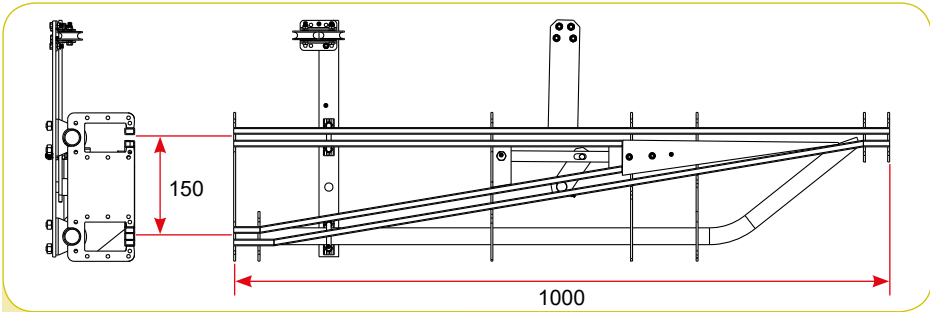
7.69kg



Six Track Points System (right handed)

T63727

7.69kg



Bolt On End Plate



T63765

With the Bolt On End Plate, standard length track may be cut to any length and the end replaced on site. There is no need for any on site welding.

Two M5 holes will need to be drilled.

Adaptor Plate



T63766

The Adaptor Plate uses three expanding plugs to terminate a standard piece of track which has been cut to a special length. This plate allows runners to pass through it, allowing it to be used mid track.

End Stop - Curtain Anchor



T63760

Six Track End Stops are used to stop the master runner at the end of a track run, they are also used to anchor the curtain at the start of a track.

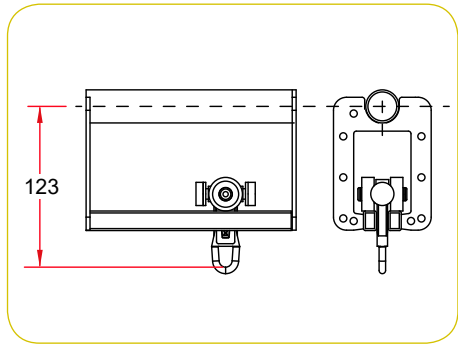
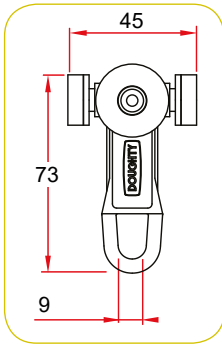
Line Support



T63770

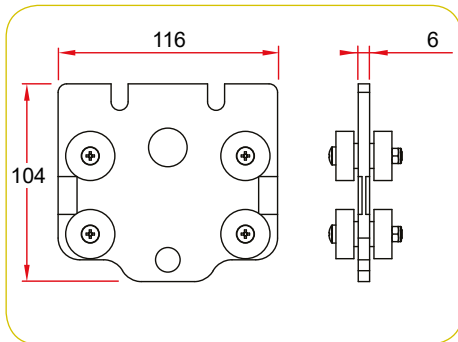
The Line Support bracket eliminates any sag in long hauling lines.

Curtain Runners (recommended spacing 300mm)



T63756	Ball Raced Bearing	WLL 6kg
T63757	Plain (no Bearings)	WLL 6kg

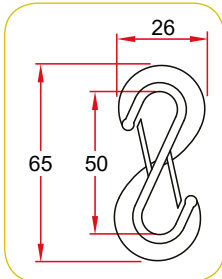
Master Runner (ball raced)



T63755		WLL 6kg
--------	--	---------

Master Runners are used to lead the curtain, the hauling line ends are also joined on the Master Runner.

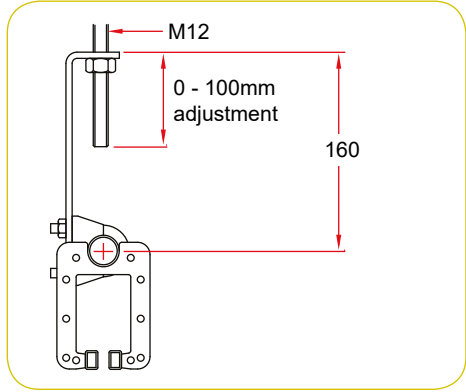
Nylon Twin Hook



T63796	WLL 6kg
--------	---------

Twin Hooks are used to connect curtains to Six Track runners.

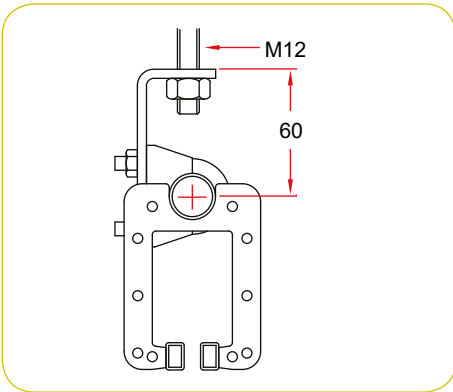
Adjustable Support Bracket



T63750

Six Track is generally suspended from its top rail using adjustable support brackets on M12 Studding, allowing up to 100mm of adjustment. In confined spaces, short support brackets can be used.

Short Support Bracket



T63751

Short Support Brackets are ideally used where space is limited.

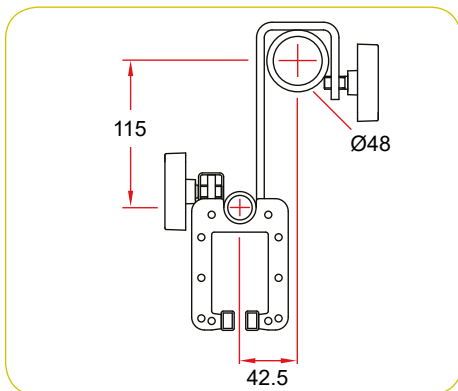


Top Rail Clamp (29mm "U" bolt)

T63749

The Top Rail Clamp is sold separately when custom bracketry is required for special installations where standard brackets cannot be used.

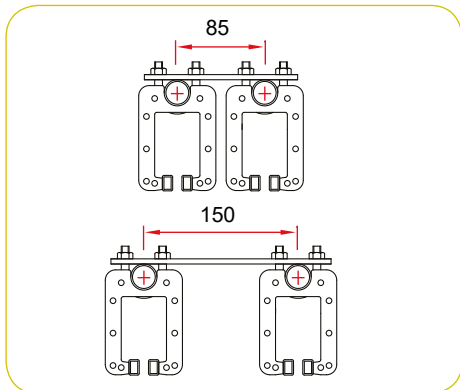
Barrel Bracket



T63753

Barrel Brackets are used to suspend overlap curtain tracks from a 48mm barrel, truss section or lighting bar.

Overlap & Parallel Brackets



T63752 Overlap Bracket

85mm centres

T63754 Parallel Bracket

150mm centres

Overlap brackets are used to space two tracks apart to create an overlap whilst parallel brackets are used to space twin perimeter tracks.



Swing Arm Boom

T63785

WLL 100kg

The Swing Arm Boom has been specifically designed to allow single tracks to be mounted to scaffold tubes and lighting bars.

Tube centres are 71mm.

Return Pulley



T63775

The Six Track Return Pulley is used to return the hauling line around the end of a track run.

Twin Head Pulley



T63776

The Twin Head Pulley diverts the hauling line from horizontal to vertical to enable a drive unit or weighted pulley to be used.

Single Guide Pulley



T63777

The Single Guide Pulley ensures a smooth trouble free operation when used with line operated curves etc.

Double Guide Pulley



T63778

The Double Guide Pulley is used to divert the hauling line from one track to another in an overlap system.

1.3 kg Weighted Handline Pulley



T63820

Weighted Handline Pulleys are designed to maintain tension on manual hauling lines.

Floor Fixing Handline Pulley



T63825

The Floor Fixing Handline Pulley is designed to maintain tension on manual hauling lines. This pulley enables the tension to be adjusted.

Sprung Floor Pulley



T63830

The Sprung Floor Pulley is floor fixed and maintains a constant tension on manual hauling lines.

Hauling Line



T63780

200m reel

8mm black pre-stretched polyester

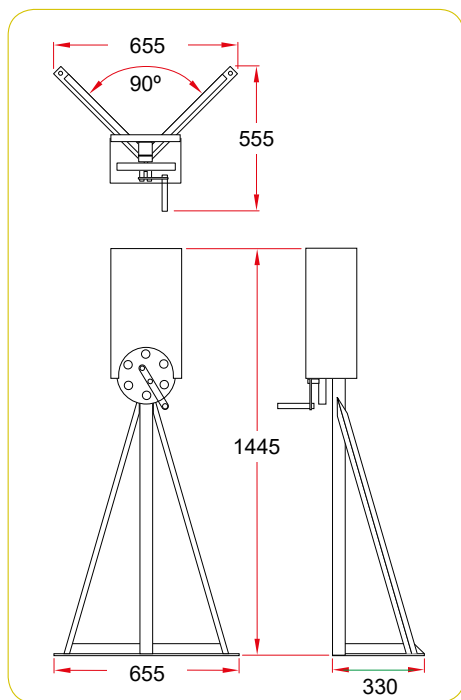
Fixing Kit



T63795 Six Track fixings

100 no

Manual Track Drives



Floor Mounted



Wall Mounted

Manual Track Drives

T63840	Wall mounted
T63841	Floor mounted

Designed for hauling curtains to a maximum of 15 metres (not for lifting). The Manual Track Drive units are fitted as part of the continuous loop hauling line. They incorporate a hauling line tensioning system, and can be either wall or floor mounted.

Electric Track Drives



Designed for hauling curtains to a maximum of 25 metres (not for lifting). The Electric Track Drive Unit is fitted as part of the continuous loop hauling line. The system includes a hauling line tensioning system and a track mounted motorised capstan. The track drives are available as single phase complete with a wall mounted variable speed control unit or 3 phase fixed speed with wall mounted control unit. The control unit includes an emergency stop and is supplied with two limit switches for track mounting. The kit comes with 10 metres of electrical cable and 50 metres of 24 volt control cable for the limit switches.

An optional open/close remote control unit is also available.

Electric Track Drives

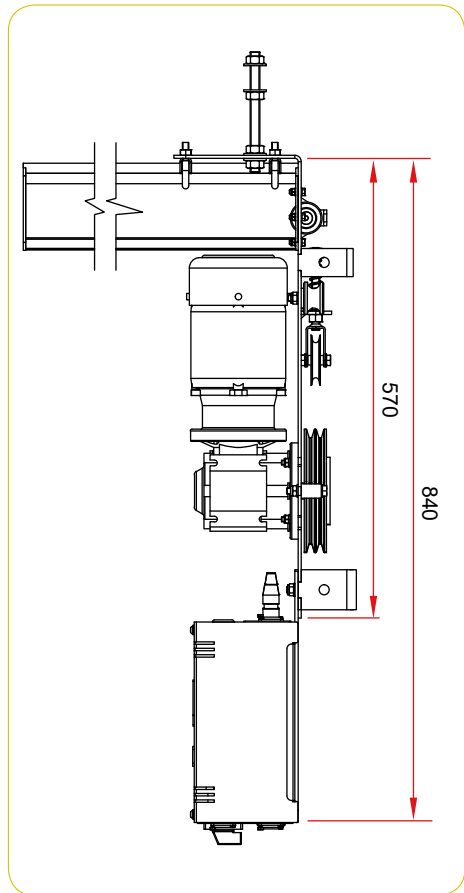
T63845	1 Phase Track Mounted Drive
T63850	Optional Remote Control

PLC Track Drive

The Six Track PLC Track Drive is a plug and play single phase Six Track Drive System. The PLC control box enables a variable drive system, the control box is demountable and can be situated remotely if required.

The system uses a 0.12kw 50Hz motor capable of hauling 75kg of drapes in a straight run and 50kg when curves are used.

Power and limit switch connections are made using industry standard connectors enabling cable to be altered or made on site quickly and easily.





Components

Each Track Drive System comprises of:

1. Motor Drive Unit
2. PLC Control Box
3. Pendant
4. Pair of limit switches and brackets
5. Power Cable

Note: If the control box is to be situated remotely an extension cable is required between the control box and motor.

Pendant

T63862

Pendant

Pendants are supplied with a 10m Cable and XLR connector fitted.
The pendant also has the facility to be daisy chained.

PLC Track Drives

T63860	PLC DRIVE SYSTEM - STANDARD	UP TO 0.7M / SEC
T63865	PLC DRIVE SYSTEM - SLOW	UP TO 0.3M / SEC

The PLC Drive system is available in two speeds. The standard speed drive and the slower speed drive which is more suited to Crematoriums etc.



Easydeck

Easydeck is a modular performance system, perfectly suited for use in the smaller venue. Designed after extensive consultation with drama teachers, amateur groups and rental companies, the system provides an efficient, cost effective solution to temporary staging. Easydeck is a 'no fuss' system which is simplicity itself to install and requires no special tools to assemble.

Easydeck modules are 1000mm x 1000mm. The frames are powder painted. The Deck Panels are phenol coated birch ply with a smooth surface and a non slip surface on opposing sides.

Easydeck conforms to DIN 53799, BS6566:1 1985.

Easydeck Frames and Panels are supplied seperately.



Easydeck Square Frames & Reversible Deck Panels



Non Slip Surface



Smooth Surface

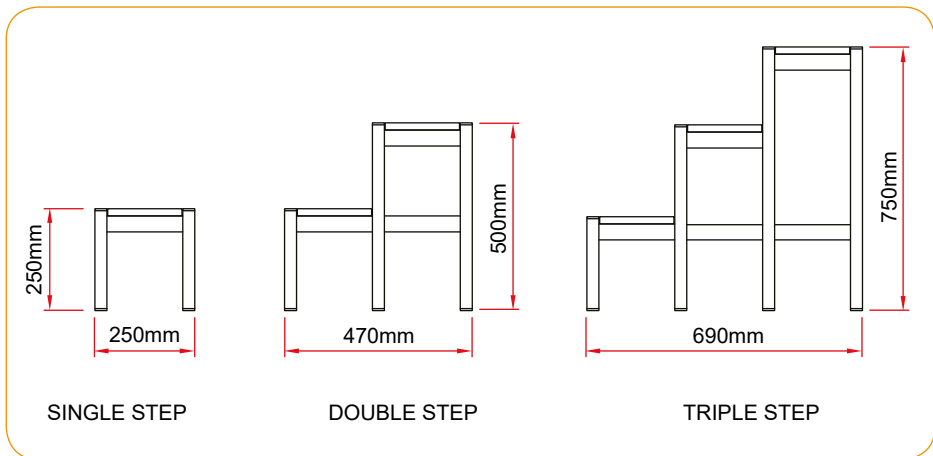
	Description	Size	kg	WLL
T76000	Square Frame	1000 x 1000 x 250mm	7.57kg	500kg
T76100	Square Frame	1000 x 1000 x 500mm	8.74kg	500kg
T76200	Square Frame	1000 x 1000 x 750mm	9.91kg	500kg
T76600	Reversible Deck Panel	1000 x 1000 x 18mm	7.57kg	

Easydeck Triangular Frames & Reversible Deck Panels

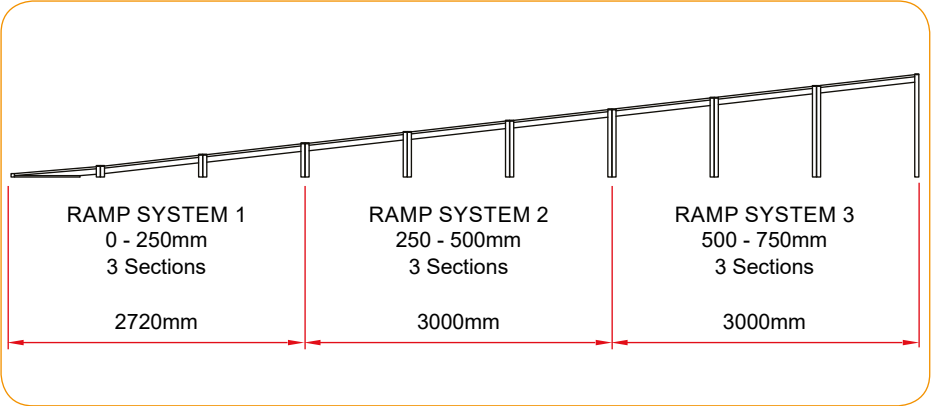


	Description	Size	kg	WLL
T76300	Triangular Frame	1000 x 1000 x 250mm	5.28kg	250kg
T76400	Triangular Frame	1000 x 1000 x 500mm	6.15kg	250kg
T76500	Triangular Frame	1000 x 1000 x 750mm	7.02kg	250kg
T76700	Reversible Deck Panel	1000 x 1000 x 18mm	5.28kg	

Double Step Unit



Easydeck Step Modules			
	Description	Size	kg
T76505	Single Step	1000 x 250 x 250mm	4.28kg
T76506	Double Step	1000 x 470 x 500mm	8.70kg
T76507	Triple Step	1000 x 690 x 750mm	11.0kg
T76800	Step Unit Deck Panel	1000 x 250mm	4.28kg

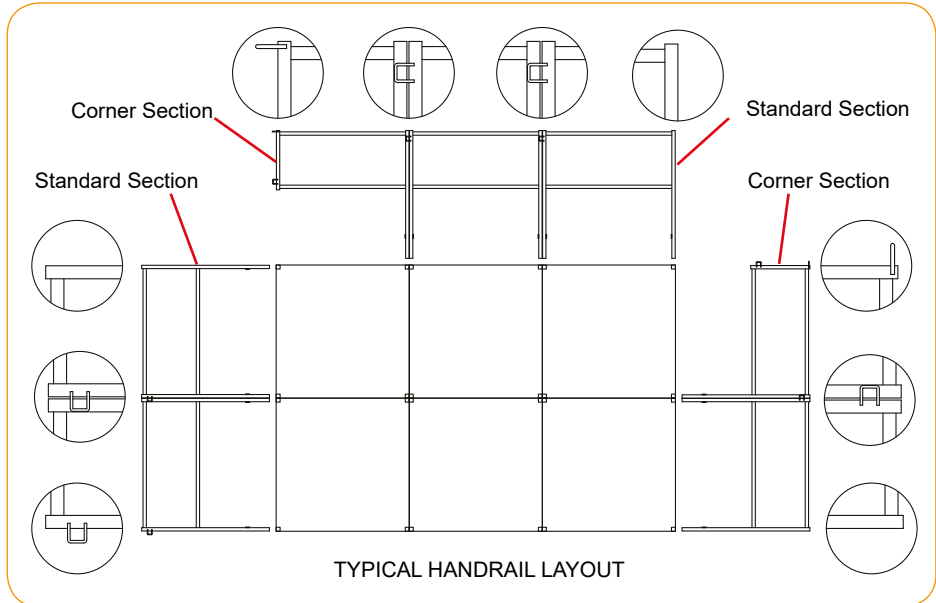
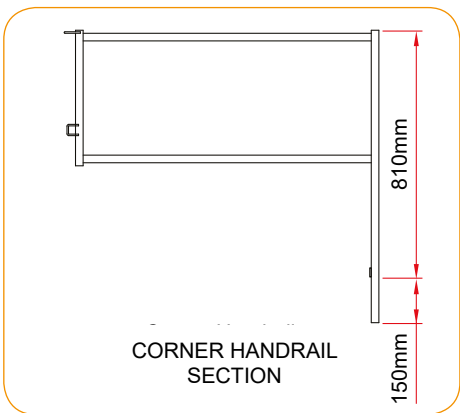
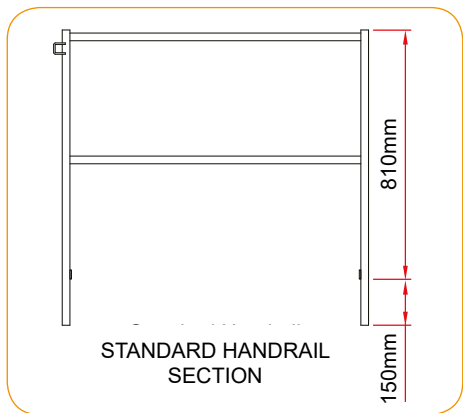


Easydeck Ramp System

	Description	Size	kg	WLL
T77900	Ramp System 1	0 - 250mm	56.0kg	500 kg/m ²
T77800	Ramp System 2	250 - 500mm	62.0kg	500 kg/m ²
T77910	Ramp System 3	500 - 750mm	66.0kg	500 kg/m ²
All Ramp Systems are supplied with Deck Panels				
T77110	Rising Handrail Section (used on first section only)		4.00kg	
T77100	Rising Handrail Section		4.00kg	



Easydeck Handrail		
T76900	Standard Section	4.02kg
T77000	Corner Section	3.26kg
T77100	Ramp Section	4.02kg



Easydeck Chair Stops

T77300	Chair Stop	1.68kg
--------	------------	--------

Chair Stops create a raised edging to eliminate the chances of a chair leg slipping off the stage.



Easydeck "Bolton Twill" Valance

T77950	250mm drop x 6m
T77960	500mm drop x 6m
T77970	750mm drop x 6m

Easydeck Storage Dolly

T77400	Storage Dolly	9.51kg
--------	---------------	--------

Store up to twenty five frames and deck panels. Comes with heavy duty castors for ease of movement. Requires no more than 1.2 square metres of floor space.



Easydeck Ordering Information:

1. Generally for each unit ordered, 2 no T77500, 1 no T77600 and 1 no T77650 are required.
2. For each Handrail Corner, 1 Standard Section and 1 Corner Section are required.
3. Please note: Deck Panels are sold separate from the Easydeck frames.
4. Riser brackets are supplied in sets of four.

1. Easydeck Module Joint Clip

T77500 0.10kg

The Easydeck Joint Clips are used to secure runways and step units.

2. Easydeck Module Joint Channel

T77600 0.14kg

Joint Channels are used to create a secure joint between two adjacent frames.

3. Easydeck Support Channel

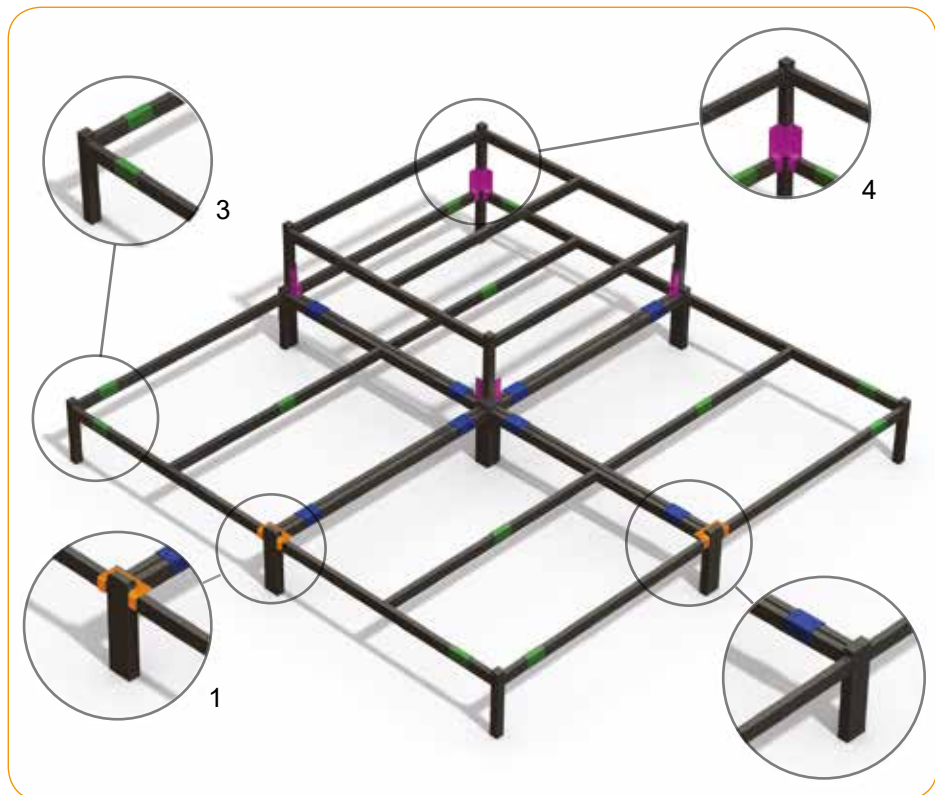
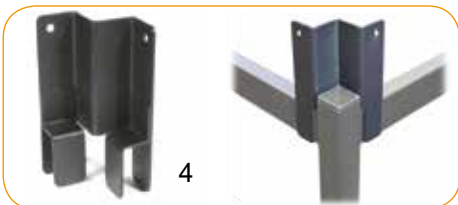
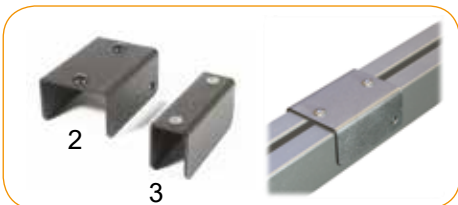
T77650 0.10kg

Support Channels are used to match the height of the Joint Channels and Joint Clips, ensuring a level platform for the deck panels is achieved.

4. Easydeck Module Riser Brackets

T77200 Set of 4 0.25kg

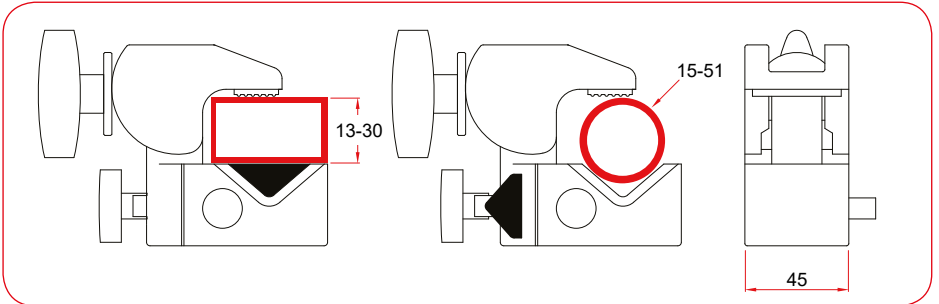
Riser Brackets are designed to be used when two units are tiered on top of each other. The Riser Brackets are fitted to each corner ensuring the tiered unit is extremely safe and secure.



Supaclamps

Supaclamps are pressure die cast aluminium clamps capable of clamping any surface from 13mm flat to 50mm diameter poles. Rubber grip pads prevent damage to surfaces. They are supplied with a wedge to grip flat surfaces.

There is a full range of snap-in accessories to complement these versatile clamps.

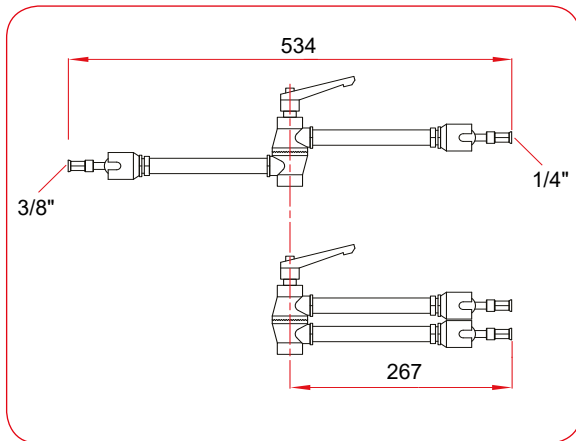


Supaclamps

G1160	Silver	WLL 20kg	0.45kg
G116001	Black	WLL 20kg	0.45kg

Pivot Arm

The Pivot Arm is a versatile multi-positioning arm which has been designed to complement the Supaclamp in the Film, Video and Photographic industry.



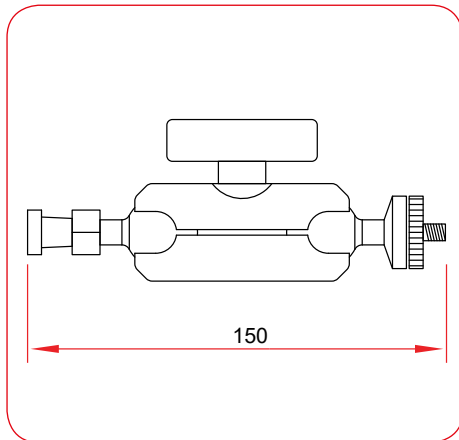
Pivot Arm

G1150

WLL 4.0kg

Knuckle Joint

The Knuckle Joint features a snap in spigot to fit our Supaclamp and a 1/4" UNC camera thread. Also supplied is an adapter to convert the 1/4" thread to a 3/8" UNC thread.



Knuckle Joint

G1155

WLL 4.0kg

M10 x 25 Rotating Stud



Snap-In 1/4" Camera Spigot



M10 Low Profile Socket



G1177



G1178



G1179

Snap-In 16mm x 3/8" Spigot



Snap-In 16mm x 1/4" Spigot



Snap-In 3/8" x 1/4" Spigot



G1180



G1181



G1182

Snap-In Pin 10mm



Snap-In Pin 12mm



Snap-In Pin 16mm



G1167

G1166

G1165

Snap-In Stud M12 x 30



Snap-In Stud M10 x 25



Swivel / Joining Stud



Snap-In Socket M12 x 35



Snap-In Socket M10 x 30



Snap-In Extension 150mm



G1171



G1172



G1173

Snap-In Offset Arm



Snap-In Swivel "C" Hook



Mounting Plate 100mm



G1178



G1179



G1176

Grip Equipment

Doughty Grip Equipment is a range of British designed and manufactured lighting support for studios and locations of all types. These products have been manufactured for a high degree of performance to give solutions to challenging lighting demands.



Griphead (large 115mm)



G1200 - Polished	2.40kg
G120001 - Black	2.40kg

The 115mm large Griphead features an offset 29mm receiver to accommodate luminaires. The clamp plates are designed to accept 25, 20, 16 & 12mm diameter poles/arms. The conical clamping system enables items up to 50mm square or of irregular shape to be clamped securely.

Griphead 65mm



G1210 - Silver	0.70kg
G121001 - Black	0.70kg

The 65mm standard Griphead features an offset 16mm receiver. The clamp plates are designed to accept 16, 12, 10 & 6mm diameter pins/arms for flags, scrimms etc. The conical clamping system enables items of irregular shape to be clamped securely.

Double Griphead 65mm



G1220	1.30kg
-------	--------

Two independently operable gripheads mounted on a 10mm x 170mm stainless steel spike.

Pin with Collar 150mm x Ø16mm



G1260	0.23kg
-------	--------

This Pin enables lightweight luminaires fitted with a 17mm receiver to be mounted to any griphead. The collar acts as a safety stop when inverted.

Snap-In Griphead 65mm



G1221 1.3kg

Factory fitted with a snap-in pin for use in conjunction with the G1160 Supaclamp or similar accessories.

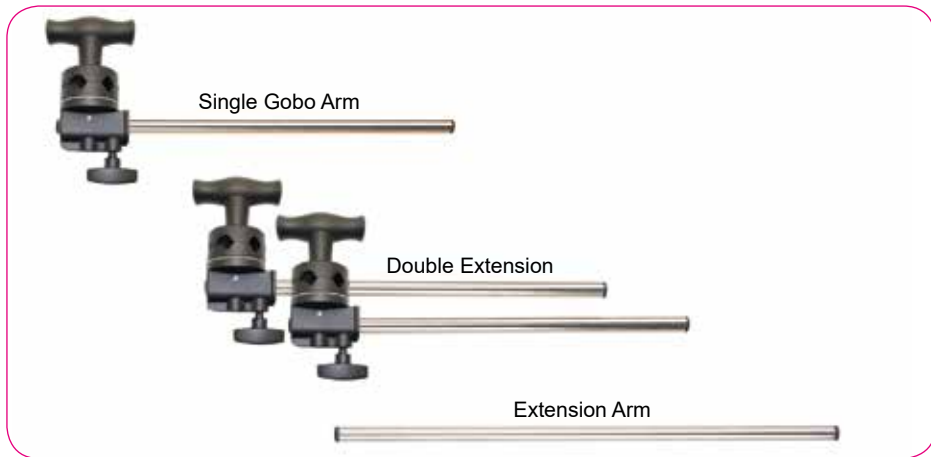
Supaclamp



G1160 - Polished 0.45kg

G116001 - Black 0.45kg

Designed to grip any surface from 5mm flats to 50mm diameter poles, the Supaclamp features a snap-in receiver.



Gobo Arms

G1230	500mm x 16mm Single Gobo Arm	0.84kg
G1235	1000mm x 16mm Single Gobo Arm	1.06kg
G1240	500mm x 16mm Double Extension	1.68kg
G1245	1000mm x 16mm Double Extension	2.14kg
G1250	500mm x 16mm Stainless Steel Extension Arm	0.23kg
G1255	1000mm x 16mm Stainless Steel Extension Arm	0.46kg

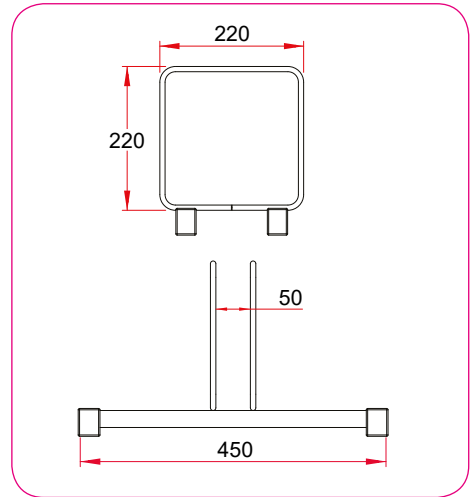
Polyholders



G1140	Polyholder 25mm	0.62kg
G1142	Polyholder 40mm	0.80kg
G1141	Polyholder 50mm	0.83kg

Polyholders comprise two 225 x 150mm aluminium plates powder painted black one side and white on the reverse. Fitted with a 10mm pin for use with Gripheads.

Floor Standing Poly Holder

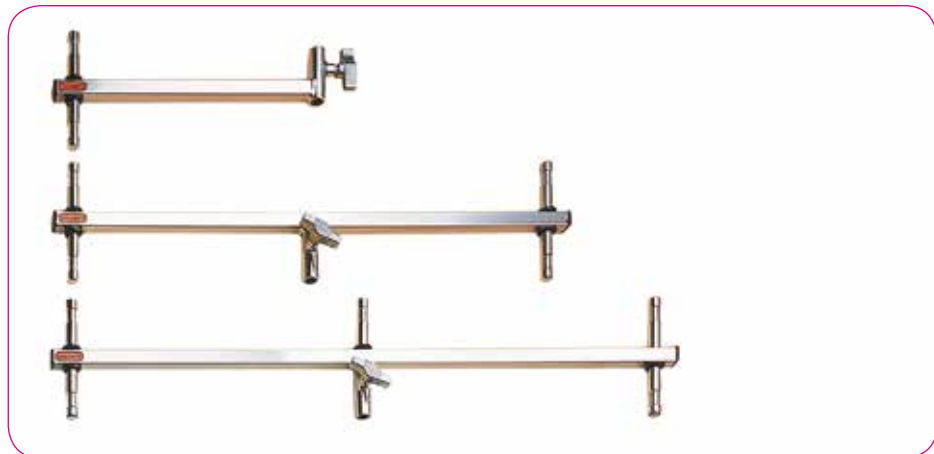


G1147

2.0kg

A floor standing polyholder manufactured in steel and powder painted.

Baby Arms and Headers



	Length	Spigots	Receiver	kg
G1330 Baby Offset Arm	350mm	2 x 16mm	17mm	0.74kg
G1335 Baby Doubler Header	700mm	4 x 16mm	17mm	1.29kg
G1340 Baby Triple Header	850mm	5 x 16mm	17mm	1.55kg

Junior Arms and Headers



	Length	Receivers	Spigot	kg
G1300 Junior Offset Arm	450mm	1 x 29mm	28mm	2.53kg
G1310 Junior Doubler Header	900mm	2 x 29mm	28mm	4.24kg
G1315 Junior Triple Header	1000mm	3 x 29mm	28mm	5.00kg

Baby Adjustable Side Arm



G1345

0.76kg

The Baby Adjustable Side Arm is mounted to a vertical 32mm (1.25") tube or stand riser with a G1350 Vee Clamp.

The side arm is 500mm long and the spigots are 16mm.

Vee Clamp sold separately.

Junior Adjustable Side Arm



G1320

1.42kg

The Junior Adjustable Side Arm is mounted to a vertical 32mm (1.25") tube or stand riser with a G1350 Vee Clamp.

The side arm is 500mm long and the receiver is 29mm.

Vee Clamp sold separately.

Junior Adjustable Offset Arm

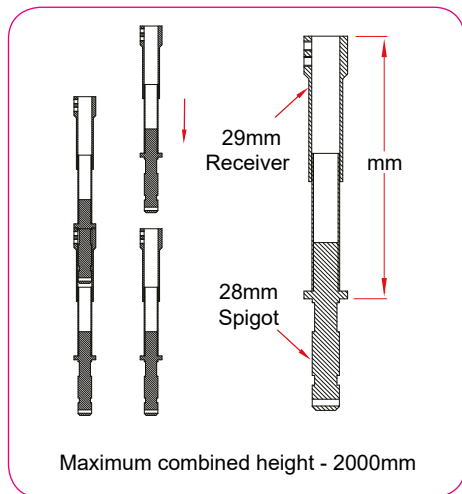


G1305

2.40kg

The Junior Adjustable Offset Arm is fitted with a 28mm Spigot and 29mm receiver and is adjustable from 430mm to 700mm centres.

Low Lifts



T44450	135mm	0.98kg
T44460	270mm	1.36kg
T44470	405mm	1.49kg
T44475	675mm	1.74kg
T44500	1000mm	2.01kg

Extension Poles (28mm spigot/receiver)



T44640	1000mm - 1650mm	3.70kg
T446401-Black	1000mm - 1650mm	3.70kg
T44645	1080mm - 2500mm	5.20kg
T44650-Black	1080mm - 2500mm	5.20kg

Extension poles and low lifts can be used in floor plates and bases or as a stand extension.

Fitted with a Multihead receiver which comprises a 29mm receiver combined with a pop up 16mm spigot.

Not to be used as Drop Arms.

For Lifting Only.

Double Risers



G2020	770 - 1500mm	Chrome	3.37kg
G2021	1020 - 2260mm	Chrome	4.50kg
G2022	1270 - 3000mm	Chrome	5.40kg
G2023	1780 - 4520mm	Chrome	6.20kg
G202001	770 - 1500mm	Black	3.37kg
G202101	1020 - 2260mm	Black	4.50kg
G202201	1270 - 3000mm	Black	5.40kg
G202301	1780 - 4520mm	Black	6.20kg

Fitted with 16 & 29mm spigots.

Doughty Universal Hanger



G2024	WLL 100kg	5.65kg
-------	-----------	--------

An extending hanger to suspend equipment from barrel truss grids. Fitted with a 48 - 51mm coupler and 29mm receiver, the Universal Hanger extends from 280mm - 2160mm.

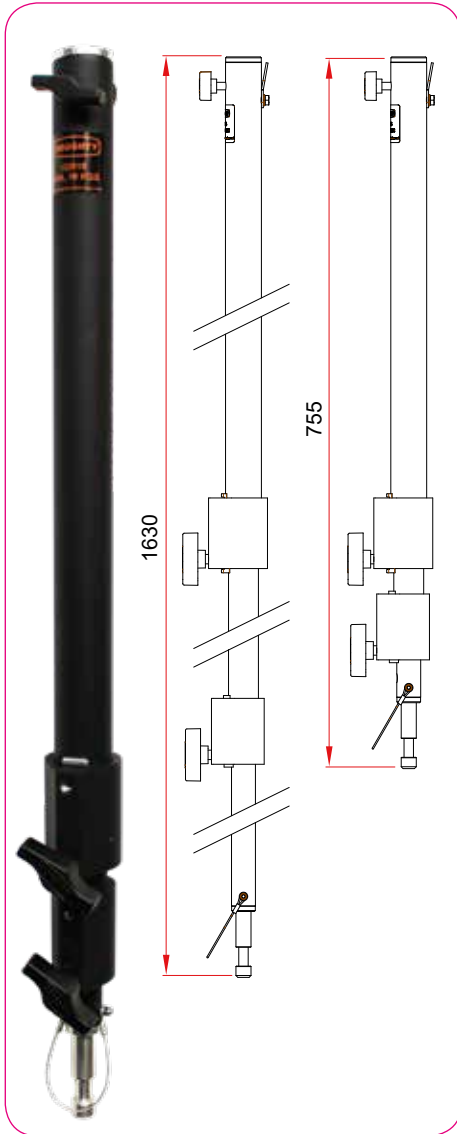
Doughty Grip Helper



G2025	845 - 1280mm	4.60kg
-------	--------------	--------

An angled extending arm fitted with a 29mm receiver / spigot combination and a Large Griphead. The Grip Helper allows a scrim, silk or blackout to be mounted with a luminaire on the same stand. Length is adjustable from 845mm to 1280mm.

Lightweight Drop Arm



16mm Receiver - 16mm Spigot

G2016

WLL 10Kg

Super Lightweight Drop Arm



48mm - 16mm Spigot

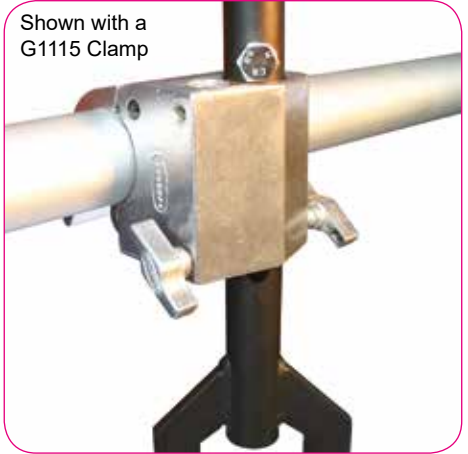
T45725

WLL 10Kg

A three section telescopic lightweight drop arm fitted with a 16mm Receiver and 16mm Spigot. Safety bond loops are fitted top and bottom.

Our Super lightweight coupler fitted with a 16mm drop arm. The drop arm features a safety bond slot.

Single-Ended Adjustable Drop Arms



	Length	Spigots	Receiver	kg
T45610	250mm	Fits Barrel Socket Clamp (G1115)	29mm	1.66kg
T45612	500mm	Fits Barrel Socket Clamp (G1115)	29mm	1.85kg
T45614	750mm	Fits Barrel Socket Clamp (G1115)	29mm	2.04kg
T45616	1000mm	Fits Barrel Socket Clamp (G1115)	29mm	2.23kg
T45618	2000mm	Fits Barrel Socket Clamp (G1115)	29mm	4.46kg

Adjustable drop using pre-drilled holes in 28mm dia tube and a securing pin.

Double-Ended Drop Arms



T45400	500mm	WLL 100kg	2.17kg
T45500	1000mm	WLL 100kg	2.65kg
T45600	2000mm	WLL 100kg	3.79kg

Fixed length drop with 28mm spigot and 29mm receiver. Enables luminaire to rotate.

Baby Pin Wall Plate



G1405 0.46kg

A 100mm x 100mm plate with 16mm spigot and Ø8mm corner fixing holes.

Baby Receiver Wall Plate



G1128 0.37kg

A 100mm x 100mm plate with 16mm receiver and Ø8mm corner fixing holes.

Junior Wall Plate



G1129 0.85kg

A 120mm x 120mm plate with 29mm receiver and Ø8mm corner fixing holes.

Baby Grid Clamp



G1197 0.78kg

A standard Doughty T57000 Clamp fitted with a Ø16mm spigot 70mm long.

Baby Pin Hook Clamp



G1415 0.40kg

A standard Doughty T20100 Hook Clamp fitted with a Ø16mm spigot.

Flat Clamp

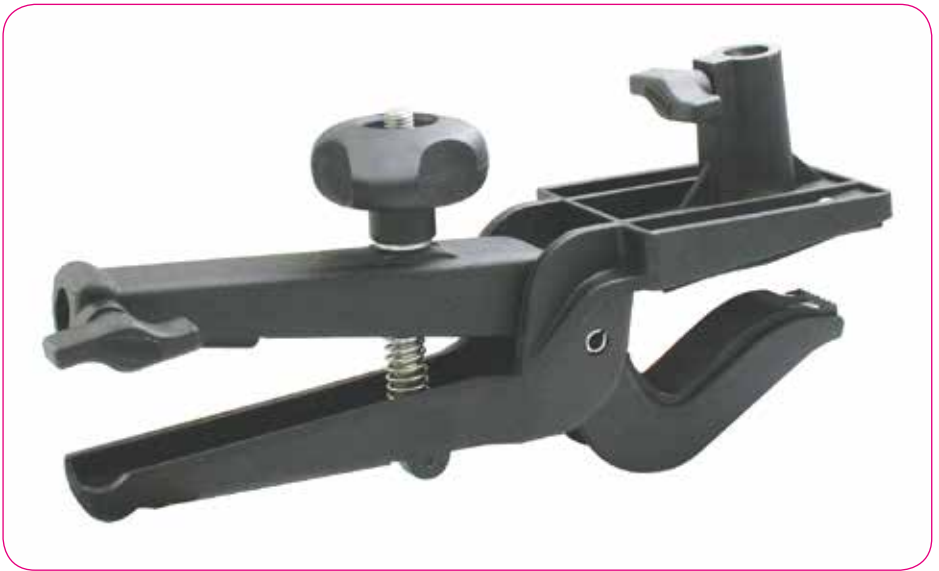


G1001

1.28kg

A medium duty scenery clamp which clamps up to 100mm and includes a fixed 29mm receiver and lynch pin.

Large Gaffer Clamp



G1000

1.20kg

A quick release clamp which grips flat surfaces and barrel and provides two 16mm receivers.

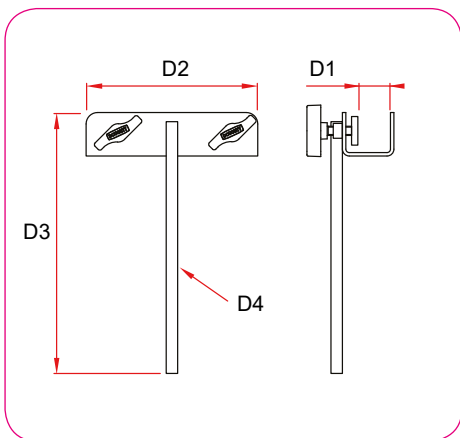
G Clamps



G1104	100mm Python Clamp	clamps 0 - 100mm	1.28kg
G1106	150mm Python Clamp	clamps 0 - 150mm	2.33kg
G1108	200mm Python Clamp	clamps 0 - 200mm	2.87kg
G1110	250mm Python Clamp	clamps 0 - 250mm	3.63kg

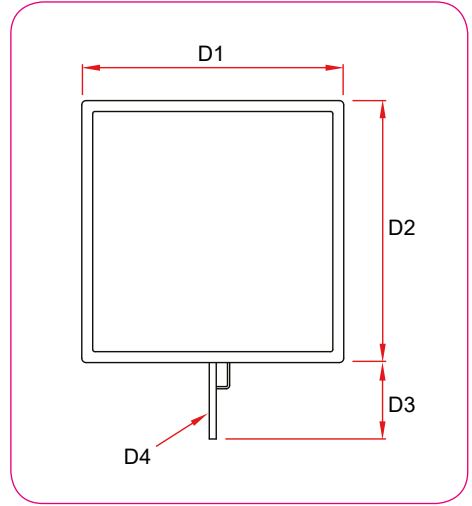
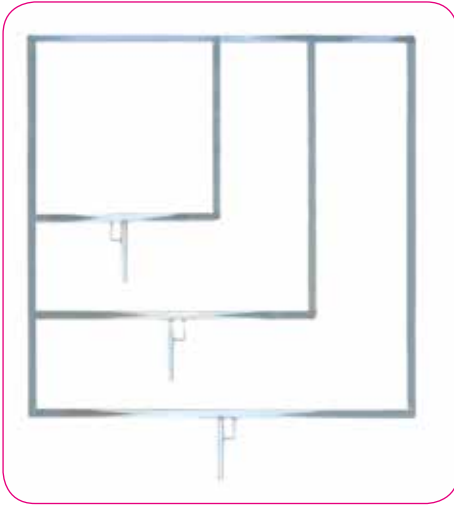
A range of G clamps fitted with dual position 29mm receiver. Modified jaws have been added to clamp flat surfaces or round bars.

Frame Clamps



	D1	D2	D3	D4	kg
G1113	50mm	150mm	230mm	Ø10mm	1.00kg
G1114	25mm	150mm	230mm	Ø10mm	0.74kg

Flat Aluminium Flag Frames (25 x 6 flat)



	Size	D1	D2	D3	D4	kg
G3015	24" x 24"	610mm	610mm	190mm	Ø16mm	1.00kg
G3016	36" x 36"	915mm	915mm	190mm	Ø16mm	1.29kg
G3018	48" x 48"	1220mm	1220mm	190mm	Ø16mm	1.69kg

Sand Bags



G3301

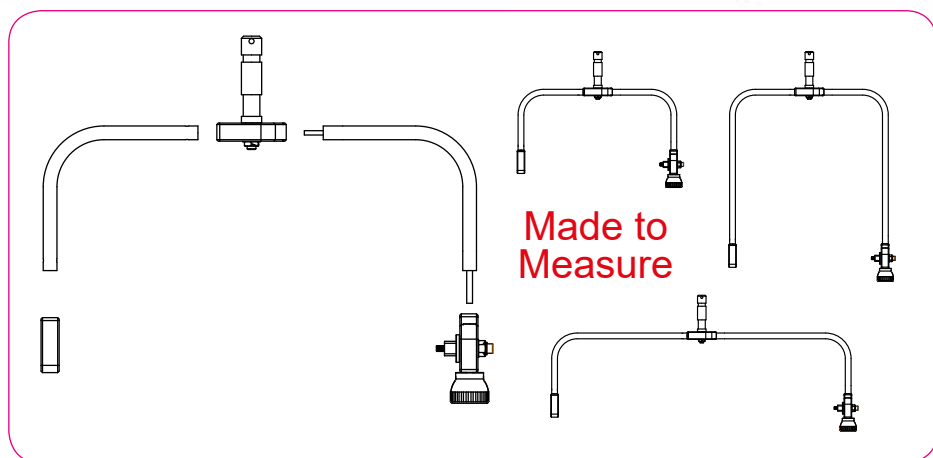
Capacity - 10kg Sand - 18kg Shot

Water resistant.

Pole Op Yokes

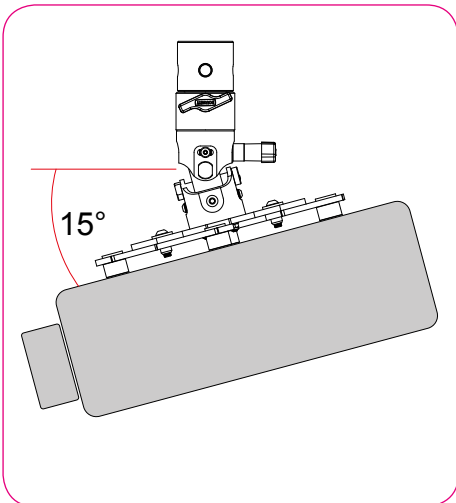
A Pole Operated Yoke featuring Pan and Tilt movement.

The yoke has been designed with flexibility in mind. There are three main components, two gearboxes and a pivot housing separated by two formed tubes. These tubes can be cut to a size to suit most lights, projectors or cameras etc. This enables us to offer a cost effective solution to your pole-op requirements in a reasonable lead time.



Contact sales@doughty-engineering.co.uk for a quote

Projector Mount

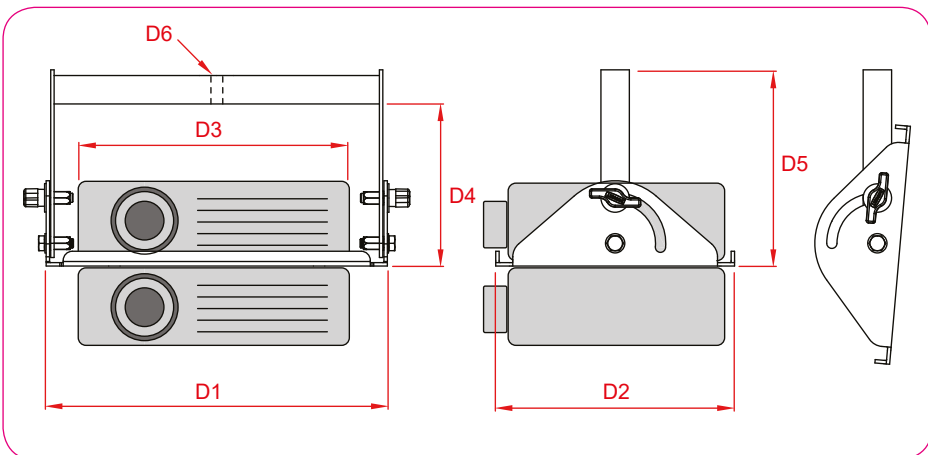


T75080

WLL 25kg

An articulated projector mount featuring +/- 15 degrees of tilt in two directions and full 360° rotation. The mount is fitted with a tapered connector to suit our modular rigging system.
For Suspension Only.

Projector Cradles



	D1	D2	D3	D4	D5	D6	WLL
T75050	300mm	210mm	<240mm	<120mm	170mm	Ø12.5mm	10kg
T75055	420mm	325mm	<360mm	180mm	230mm	Ø12.5mm	10kg

Note: Trays are supplied blank and require drilling to suit the projector of choice.

TV Brackets

Doughty Engineering offer a range of three different sized TV brackets which have been designed to be suspended or mounted on a stand. Finished in crackle black powder paint these brackets feature an 12mm mounting hole in the top rail which can be used to fix a clamp, TV spigot or Studio Rail carriage.

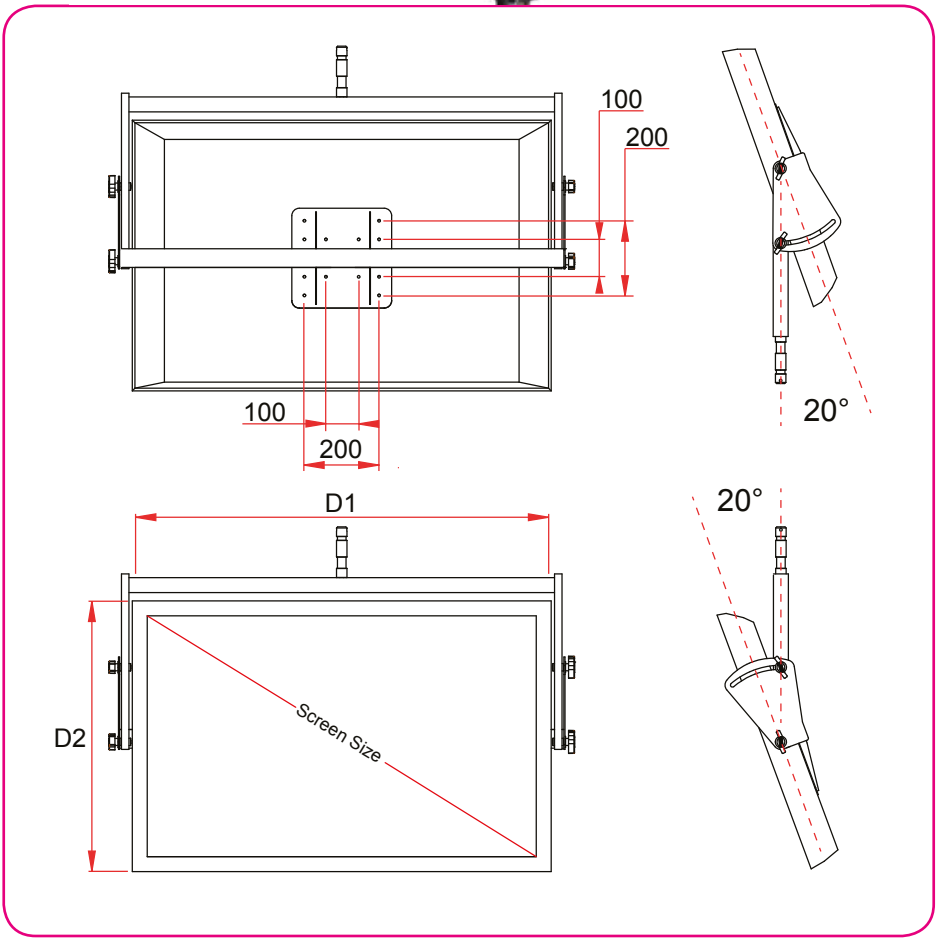


TV Brackets

	Screen Size	D1 Max	D2 Max	Vesa Mount
T75000	32"	750mm	500mm	100 x 100
T75010	37"	910mm	570mm	200 x 100 & 200 x 200
T75020	42"	1010mm	660mm	200 x 100 & 200 x 200

TV Brackets are not supplied with any fixings, clamps or Spigots.

Special sizes are available on request.



Transporter Trolleys

The Doughty Transporter range is designed as an adaptable transportation system, which may be configured to suit multiple applications.

The Transporter range utilises 48mm Barrel (Page 144) and Pipeclamps (Page 158), both of which are plentiful in the entertainment industry, to create a robust but cost effective structure.

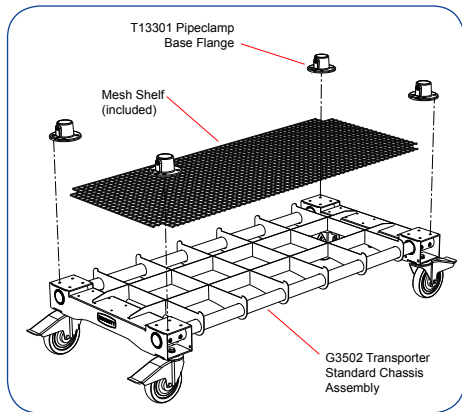
The Chassis Sub-frames employ standard T19300 Allen Screws to clamp lengths of barrel to form a chassis, upon which Pipeclamps and Barrel can be used to construct the trolley superstructure. This minimises the number of different tools required for assembly or alteration.

A range of accessories including various shelf options are available, and bespoke adaptor plates/modifications can be designed and manufactured upon request.





G3501 Sub-frames with Castors



G3502 Sub-frames with Castors



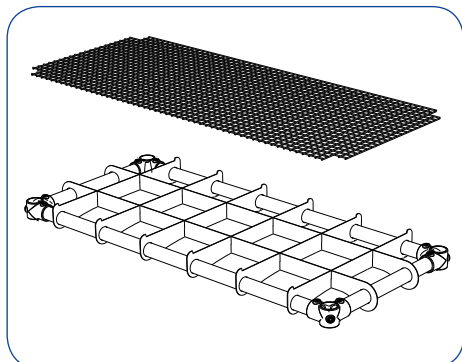
G3505 Tub



G3506 Side Extension



Typical Example



G3503 Shelf Assembly (1430x630)

G3504 Mesh Shelf

Stand Accessories

An extensive range of accessories to complement our large selection of lighting stands.

Castor Kits



T50500 - 75mm Kit

G2201 - 4" (100mm) Kit

To suit the following stands:

Neutron

Nova

Comet

Cine Combo Stands



T50502 - 75mm Kit

G2200 - 4" (100mm) Kit

To suit the following stands:

Followspot

Nebula 20

Nebula 33

Nebula 42

Studio 2000

Studio 3500

Studio 5000

Combo Stands

Parcan Stand Top



T54175

The Parcan Stand Top enables a parcan or similar luminaire fitted with a standard hook clamp to be used in a 29mm receiver.

This item should not be used as a suspension device.

3 Function Multihead Top



G2060 - Silver

WLL	N/A
mm	Ø32mm (Ø1.25")
kg	0.66kg

3 Function Multihead Top



G206001 - Black

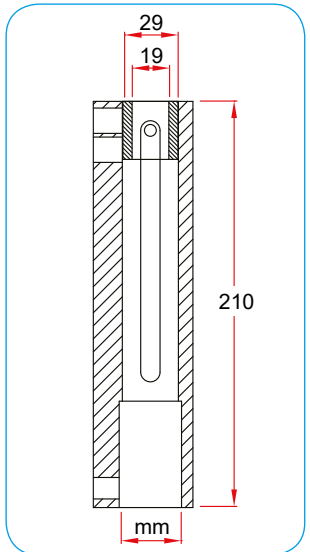
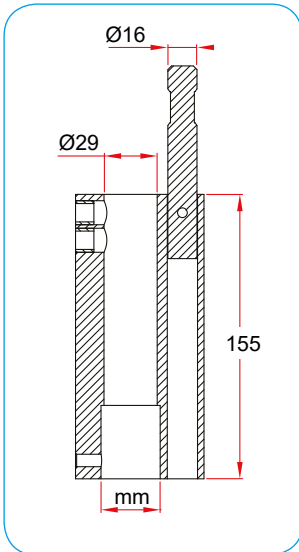
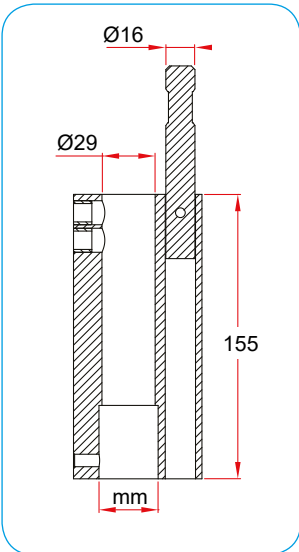
WLL	N/A
mm	Ø32mm (Ø1.25")
kg	0.66kg

Combi Accessory Top



T52800

WLL	N/A
mm	Ø32mm (Ø1.25")
kg	0.68kg



Platten Plate Followspot Top

Mounting for TV Spigot

Mounting for TV Spigot



T52900

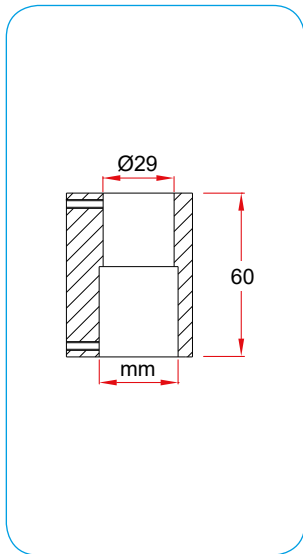
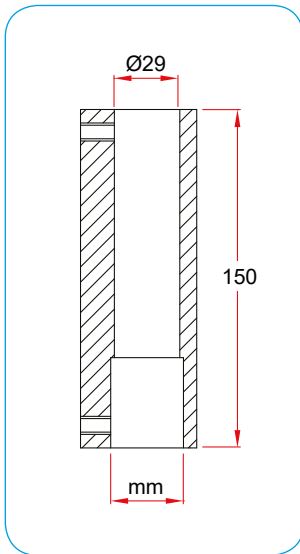
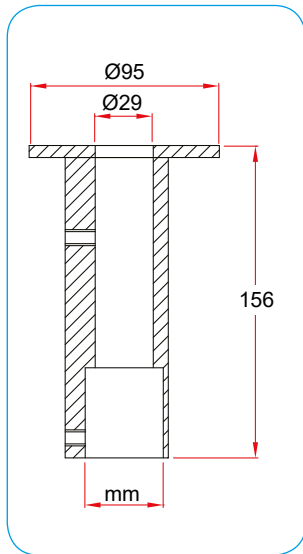
T50600

T50700

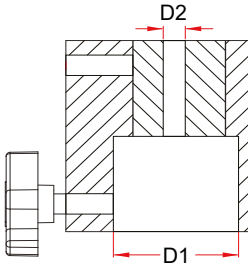
WLL	N/A
mm	Ø32mm (Ø1.25")
kg	0.49kg

WLL	N/A
mm	Ø32mm (Ø1.25")
kg	0.66kg

WLL	N/A
mm	Ø38mm (Ø1.50")
kg	0.66kg



Barrel Receiver



	Size (D1)	Fixing (D2)	kg
T50820	Ø48mm	M10	0.45kg
T50825	Ø48mm	M12	0.45kg
T50830	Ø51mm (Ø2")	M10	0.45kg
T50835	Ø51mm (Ø2")	M12	0.45kg

Mounting for 19mm Spigot

Mounting for 19mm Spigot

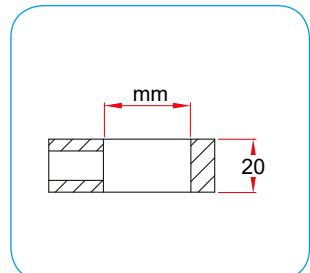
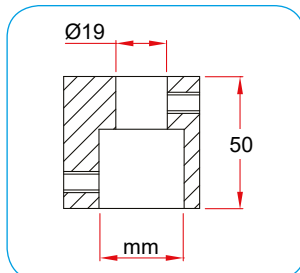
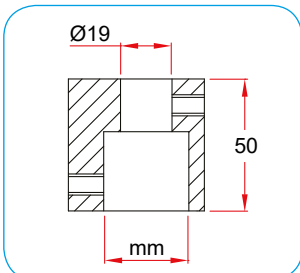
Safety Collar



T50900	
WLL	N/A
mm	Ø32mm (Ø1.25")
kg	0.24kg

T50901	
WLL	N/A
mm	Ø38.1mm (Ø1.50")
Kg	0.20kg

T53000	
mm	Ø32mm (Ø1.25")
T53100	
mm	Ø38mm (Ø1.50")



Ramsa / Bose Adaptor



T52600

WLL	N/A
mm	Ø32mm (Ø1.25")
kg	0.49kg

Speaker Internal Housing



T52200

mm	Ø32mm (Ø1.25")
----	----------------

T52201

mm	Ø35mm
----	-------

Speaker Adaptor 35mm

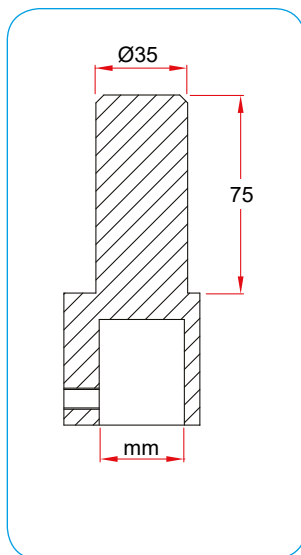
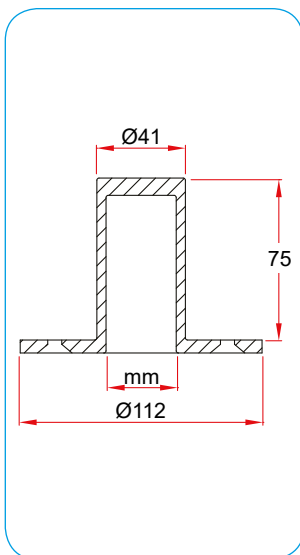
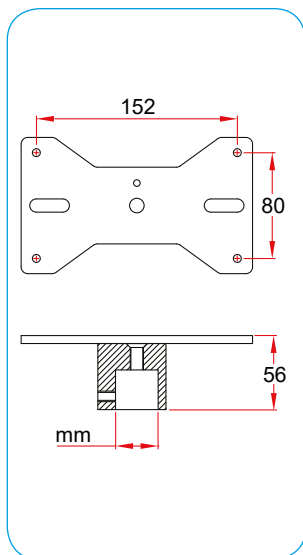


T51000

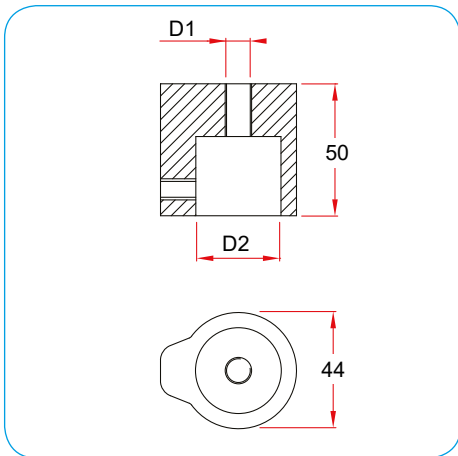
mm	Ø32mm (Ø1.25")
----	----------------

T51100

mm	Ø38mm (Ø1.50")
----	----------------

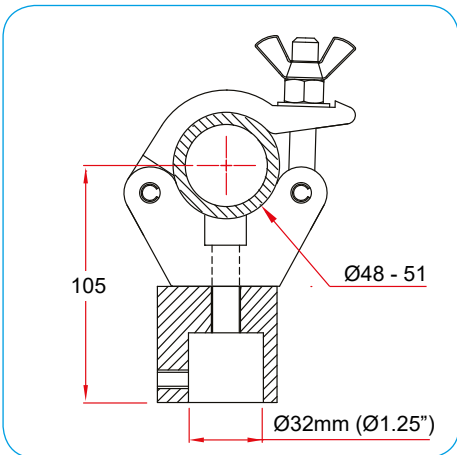


Bolt Fixing for Tee Bar



	D1	D2	
T50810	M10	Ø32mm (Ø1.25")	
T50811	M10	Ø38mm (Ø1.50")	(Club 14/22)
T50812	M12	Ø32mm (Ø1.25")	
T50813	M12	Ø38mm (Ø1.50")	(Club 14/22)
T50814	M10	Ø35mm	(35mm)

2" Tee Bar Stand Top

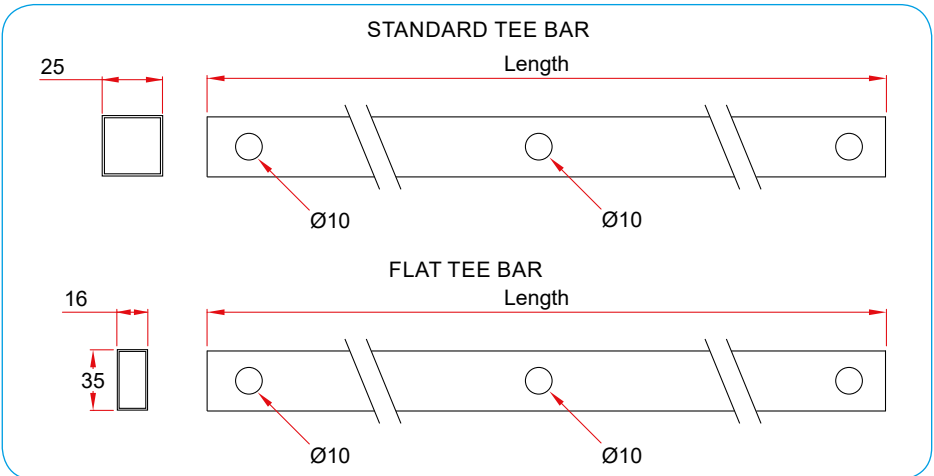


T57220	Ø32mm (Ø1.25")	0.88kg
--------	----------------	--------

The Stand Adaptor enables a Ø48 - 51mm tube to be mounted to a stand with a Ø32mm (1.25") riser. Ideal for heavy duty tee bars where lamps are used with their own mounting clamps.



		Finish	Lamp Holes	Length	kg
T43000	2 Lantern	Zinc Plated	2	750 mm	0.81kg
T43001	2 Lantern	Black Powder Paint	2	750 mm	0.80kg
T43003	2 Lantern (Flat)	Zinc Plated	2	750 mm	0.79kg
T43100	4 Lantern	Zinc Plated	4	1250 mm	1.38kg
T43101	4 Lantern	Black Powder Paint	4	1250 mm	1.41kg
T43103	4 Lantern (Flat)	Zinc Plated	4	1250 mm	1.36kg
T43200	6 Lantern	Zinc Plated	6	1600 mm	1.79kg
T43201	6 Lantern	Black Powder Paint	6	1600 mm	1.82kg
T43203	6 Lantern (Flat)	Zinc Plated	6	1600 mm	1.73kg



Stands

Club Stands - High quality tripod stands finished in zinc plate.

Studio Stands - Professional range of tripod stands with a chrome finish.

Combo Stands - TV specification stand complete with multihead top and a lazy leg.

Roller Stands - TV specification stand complete with multihead top and castors.

Wind Up Stands - Medium duty winch operated lighting stands.

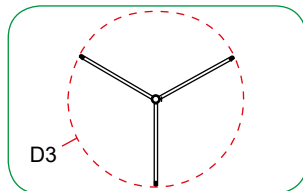
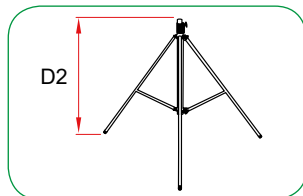
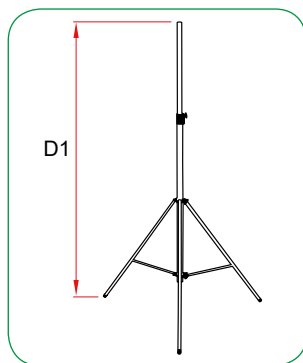
Winch Stands - Heavy duty winch operated stands for lifting truss etc.

Followspot Stands - Designed to give a high degree of stability with followspots.

"C" Stands - Range of turtle based stands complete with 16mm spigot.

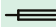
Music Stands - Professional range of music stands designed for orchestras, music schools and rental companies.

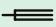


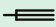


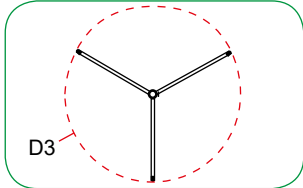
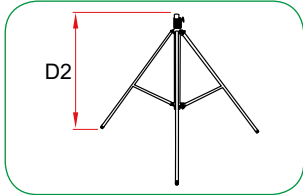
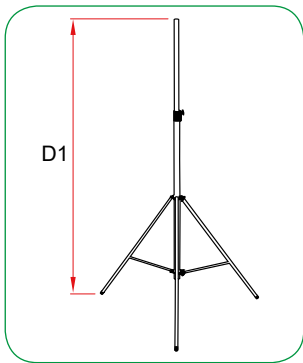
- Compact steel and aluminium construction
- Die cast aluminium lock off knobs
- Finished in high quality zinc plate or satin black powder paint
- Non slip rubber feet
- Internal safety stops



T49200	Club 25
T49465	Nightclub 25
Top Tube	Ø32mm (Ø1.25")
WLL	25kg
D1	2.50m
D2	1.24m
D3	1.34m
	1.23m
kg	5.80kg

T49300	Club 35
T49470	Nightclub 35
Top Tube	Ø32mm (Ø1.25")
WLL	25kg
D1	3.50m
D2	1.64m
D3	1.60m
	1.63m
kg	7.20kg

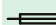
T49400	Club 475
T49475	Nightclub 475
Top Tube	Ø32mm (Ø1.25")
WLL	25kg
D1	4.75m
D2	2.88m
D3	1.6m
	2.88m
kg	8.80kg



- Chrome steel and aluminium construction
- Internal spring dampers
- Internal safety stops
- Double leg braces
- Die cast aluminium 'lock off' knobs
- Locking castors (optional)

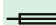
T51800 Studio Comet

T51801 Shadow Comet

Top Tube	Ø32mm (Ø1.25")
WLL	30kg
D1	2.14m
D2	1.34m
D3	1.15m
	1.16m
kg	7.10kg

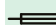
T51600 Studio Neutron

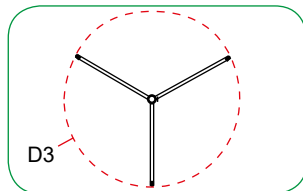
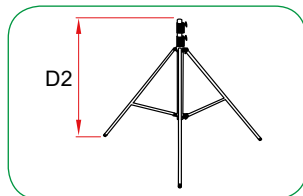
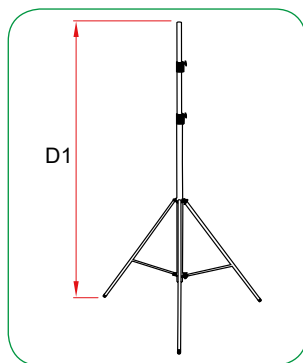
T51601 Shadow Neutron

Top Tube	Ø32mm (Ø1.25")
WLL	30kg
D1	2.50m
D2	1.50m
D3	1.34m
	1.24m
kg	7.74kg

T51200 Studio Nova

T51201 Shadow Nova

Top Tube	Ø32mm (Ø1.25")
WLL	30kg
D1	3.50m
D2	1.63m
D3	1.62m
	1.63m
kg	8.88kg




- Chrome steel and aluminium construction
- Internal spring dampers
- Internal safety stops
- Double leg braces
- Die cast aluminium 'lock off' knobs
- Locking castors (optional)




Ø32mm (Ø1.25")
Top Tube

Studio = Chrome
Shadow = Black

T51900	Studio 2000
T51901	Shadow 2000
Top Tube	Ø32mm (Ø1.25")
WLL	40kg
D1	2.00m
D2	1.00m
D3	1.06m
	1.11m
kg	7.00kg

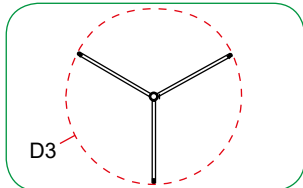
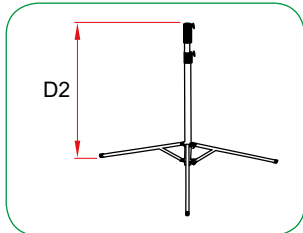
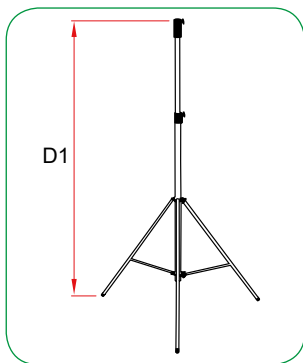
T52000	Studio 3500
T52001	Shadow 3500
Top Tube	Ø32mm (Ø1.25")
WLL	40kg
D1	3.50m
D2	1.32m
D3	1.47m
	1.31m
kg	10.70kg

T52100	Studio 5000
T52101	Shadow 5000
Top Tube	Ø32mm (Ø1.25")
WLL	40kg
D1	5.00m
D2	1.72m
D3	1.75m
	1.72m
kg	13.61kg



G2060 Three Function Multihead Top fitted to all Combo stands

Shadow = Black



G2030	Mini Combo
G203001	Shadow
WLL	30kg
D1	1.12m
D2	0.72m
D3	0.72m
	0.72m
kg	4.80kg

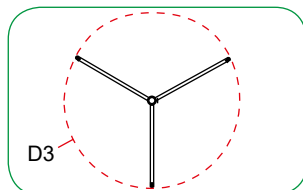
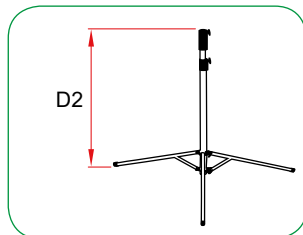
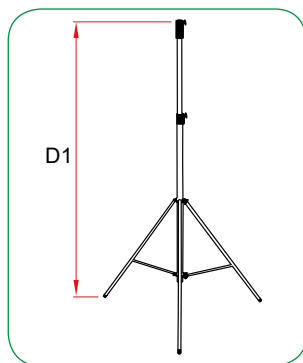
G2036	Cine Hi-Combo
G203601	Shadow
WLL	30kg
D1	3.16m
D2	1.23m
D3	1.15m
	1.23m
kg	9.50kg

G2031	Pee Wee
G203101	Shadow
WLL	30kg
D1	1.75m
D2	0.78m
D3	0.72m
	0.78m
kg	5.70kg

G2040	Lowboy Combo
G204001	Shadow
WLL	40kg
D1	2.40m
D2	1.10m
D3	0.85m
	1.08m
kg	9.30kg

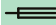
G2035	Cine Combo
G203501	Shadow
WLL	20kg
D1	2.16m
D2	1.17m
D3	1.15m
	1.17m
kg	7.80kg


G2045	Combo
G204501	Shadow
WLL	40kg
D1	3.62m
D2	1.43m
D3	1.47m
	1.43m
kg	12.30kg




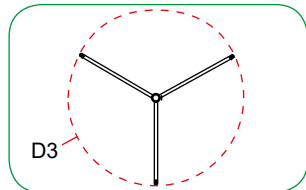
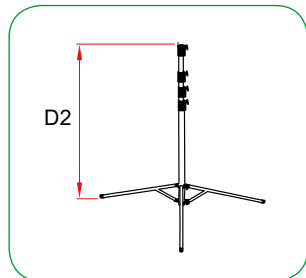
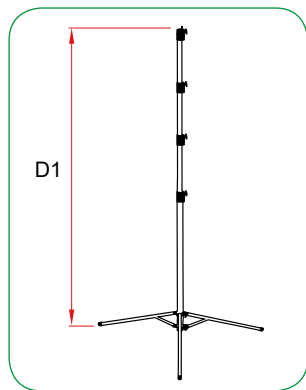
- Lazy leg for use on uneven surfaces
- Three function multihead
- Double leg braces
- Non slip rubber feet
- Internal spring dampers
- Chrome or Shadow range




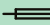
G2046	Hi-Combo
G204601	Shadow
WLL	40kg
D1	4.80m
D2	1.49m
D3	1.47m
	1.49m
kg	13.70kg


G2050	Wide Base Hi-Combo
G205001	Shadow
WLL	40kg
D1	5.12m
D2	1.83m
D3	1.75m
	1.83m
kg	15.30kg


G2051	Wide Base Hi-Hi-Combo
G205101	Shadow
WLL	40kg
D1	6.70m
D2	1.89m
D3	1.75m
	1.89m
kg	17.10kg



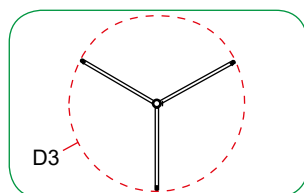
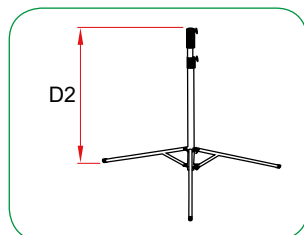
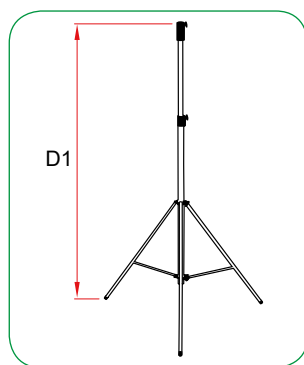
Baby Roller	
G2070	Chrome
G207001	Shadow
WLL	30kg
D1	2.14m
D2	1.17m
D3	1.04m
	1.34m
kg	9.95kg

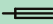
Baby Hi Roller	
G2071	Chrome
G207101	Shadow
WLL	30kg
D1	3.14m
D2	1.28m
D3	1.04m
	1.45m
kg	11.30kg


Junior Roller	
G2075	Chrome
G207501	Shadow
WLL	40kg
D1	3.50m
D2	1.47m
D3	1.55m
	1.59m
kg	15.80kg


Junior Hi Roller	
G2076	Chrome
G207601	Shadow
WLL	40kg
D1	4.61m
D2	1.53m
D3	1.55m
	1.65m
kg	17.10kg

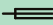
- Low profile ultra wide base
- Fitted with multihead
- Fully locking 100mm castors supplied as standard
- Heavy duty chrome and polished aluminium finish
- Die cast aluminium 'lock off' knobs
- Internal spring dampers
- No finger trap between castings
- Shadow range available





G2080	Overhead
G208001	Shadow
WLL	40kg
D1	4.52m
D2	1.48m
D3	1.50m
	1.48m
kg	12.80kg

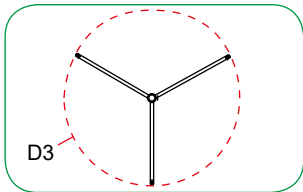
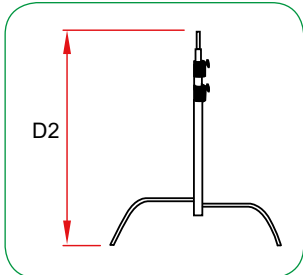
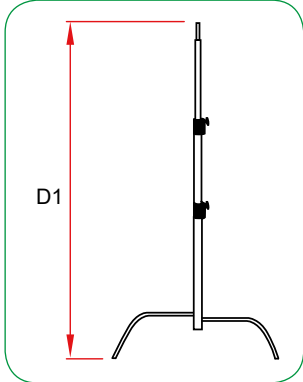
G2081	Hi-Overhead
G208101	Shadow
WLL	40kg
D1	6.37m
D2	1.89m
D3	1.50m
	1.89m
kg	15.20kg

G2085	Roller Overhead
G208501	Shadow
WLL	40kg
D1	4.61m
D2	1.53m
D3	1.55m
	1.65m
kg	15.30kg


G2086	Hi-Roller
G208601	Shadow
WLL	40kg
D1	6.37m
D2	1.89m
D3	1.55m
	2.01m
kg	15.70kg


G2090	Wide Base
G209001	Shadow
WLL	40kg
D1	5.12m
D2	1.83m
D3	1.75m
	1.83m
kg	15.60kg


G2091	Wide Base Hi
G209101	Shadow
WLL	40kg
D1	6.70m
D2	1.89m
D3	1.75m
	1.89m
kg	17.50kg




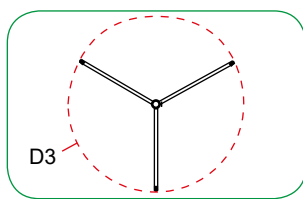
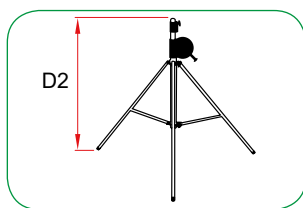
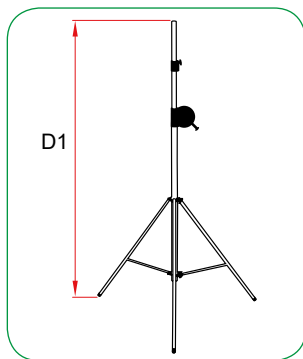
- Spring loaded folding base
- Sliding leg for uneven surfaces
- Integral 16mm spigot
- Internal spring dampers
- No finger trap between castings

20" C Stand	
G2005	Chrome
G200501	Shadow
WLL	10kg
D1	1.70m
D2	0.88m
D3	0.95m
	0.88m
kg	6.20kg

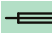
30" C Stand	
G2006	Chrome
G200601	Shadow
WLL	10kg
D1	2.50m
D2	1.18m
D3	0.95m
	1.18m
kg	6.80kg

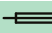
40" C Stand	
G2007	Chrome
G200701	Shadow
WLL	10kg
D1	3.26m
D2	1.39m
D3	0.95m
	1.39m
kg	8.00kg

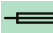
60" C Stand	
G2008	Chrome
G200801	Shadow
WLL	10kg
D1	4.80m
D2	1.90m
D3	0.95m
	1.90m
kg	8.80kg




- Slimline self-braking winch
- Robust steel and aluminium construction
- Internal and external safety stops
- Non slip rubber feet
- Double leg braces
- Die cast 'lock off' knobs

Nebula 20	
T55110	Chrome
T55111	Shadow
WLL	60kg
D1	2.24m
D2	1.31m
D3	1.06m
	1.31m
kg	11.00kg

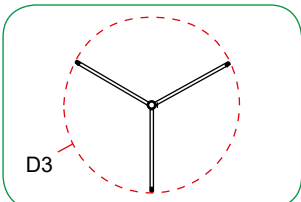
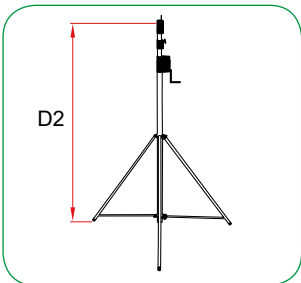
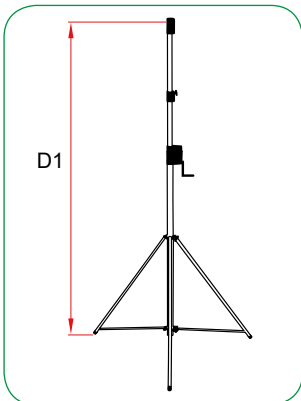
Nebula 33	
T55200	Chrome
T55201	Shadow
WLL	60kg
D1	3.30m
D2	1.70m
D3	1.47m
	1.70m
kg	13.00kg

Nebula 42	
T55500	Chrome
T55501	Shadow
WLL	60kg
D1	4.20m
D2	2.10m
D3	1.75m
	2.31m
kg	17.00kg

Easylift

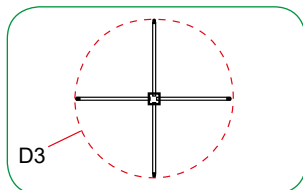
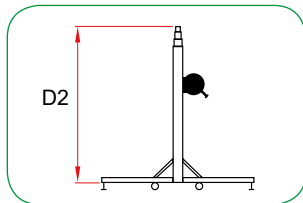
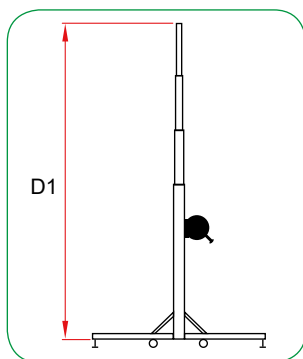
T55510	Chrome
T55511	Black
WLL	30kg
D1	3.80m
D2	1.74m
D3	1.24m
	1.86m
kg	22.00kg

- Accepts 16 & 28 mm spigots
- Unique auto safety lock
- Self braking clutch/winch
- Fold away winch handle



T50503 Castor Kit (Easylift)



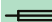


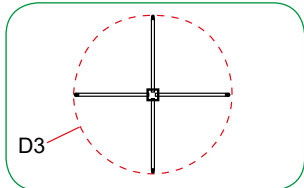
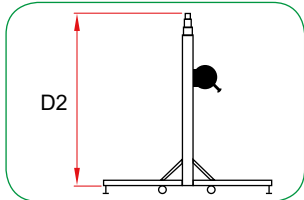
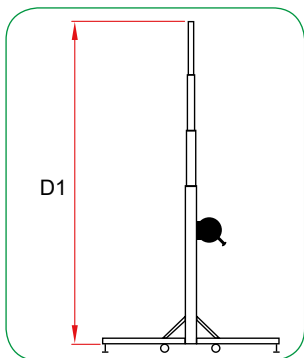
- Four sections giving a low loading height
- A unique self locking system
- Single person operation
- Accepts standard 28mm spigots
- Powder coated finish

Strata Mk II Winch Stand

T55567

Strata 515R

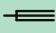
WLL	150kg
D1	5.22m
D2	1.73m
D3	1.96m
	1.85m
kg	47.00kg

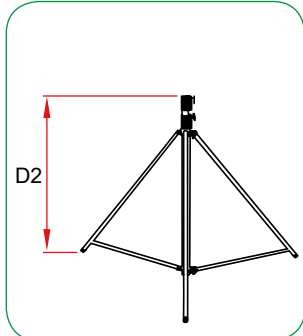
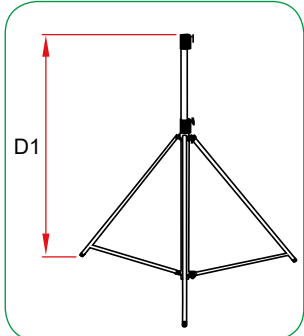


- Four sections giving a low loading height
- A unique self locking system
- Single person operation
- Accepts standard 28mm spigots
- Powder coated finish

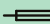


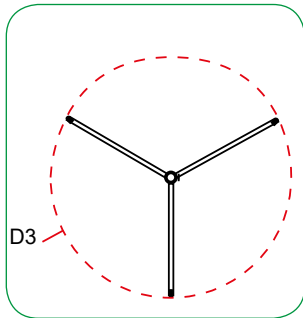
Zenith MkIV Truss Lift

T55580	Zenith 520R	T55590	Zenith 620R
WLL	200kg	WLL	200kg
D1	5.37m	D1	6.23m
D2	1.85m	D2	2.06m
D3	2.15m	D3	2.15m
	1.85m		2.06m
kg	93.50kg	kg	99.50kg



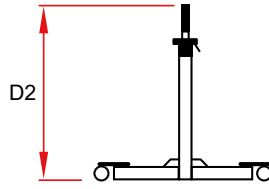
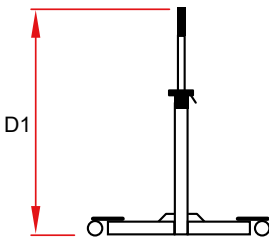
TV Roller Race
T74200 Euro spec

T51700	Followspot
T51701	Shadow
WLL	40kg
D1	1.41m
D2	0.88m
D3	1.06m
	1.03m
kg	5.90kg

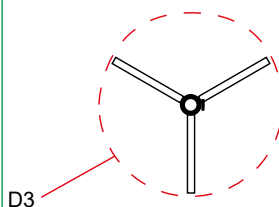




29mm Receiver




T72700 Euro spec



Professional Followspot

T54402

WLL	75kg
D1	1.30m
D2	0.76m
D3	0.88m
	0.73m
kg	20.00kg

- High degree of stability
- Rapidly dismantled for transportation
- Positive lock height adjustment
- Suitable for use with a variety of followspots
- Steel and aluminium construction
- Black powder coated finish

Spigots

A complete range of spigots and adaptors for use in studios, theatres and entertainment venues.

Universal standards of 28mm and 16mm spigots and adaptors manufactured from chromed plated steel and polished aluminium.

All spigots are supplied to Euro specification unless otherwise stated.

Special spigots are available on request.



Female TV Spigot

Short Shank



T74300 M10 Steel

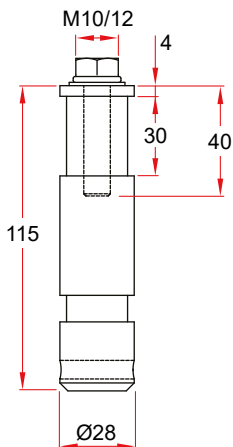
T74302 M10 Aluminium

T74301 M12 Steel

T74303 M12 Aluminium

Eurospec

Weight 0.50kg



Female TV Spigot

Short Shank



T74700 M10 Steel

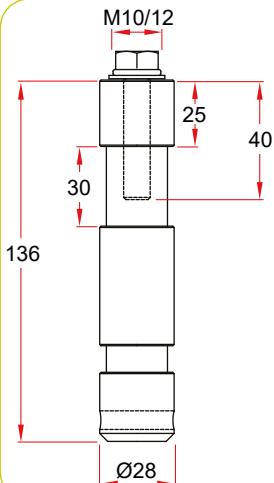
T74705 M10 Aluminium

T74710 M12 Steel

T74500 M12 Aluminium

Eurospec

Weight 0.59kg



TV Spigot

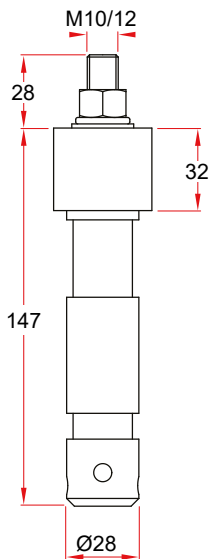


T73000 M10 Steel

T73100 M10 Steel

Eurospec

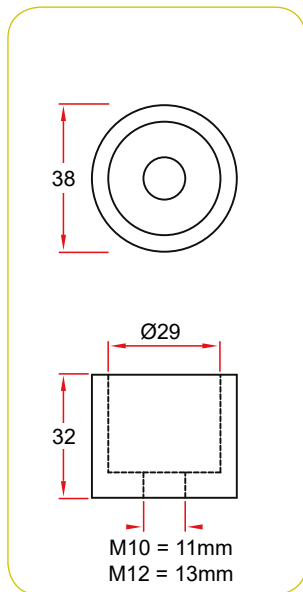
Weight 0.79kg



Spigot Cap



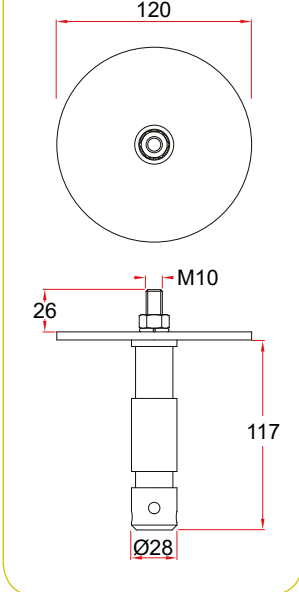
T73102	M10
T73103	M12
Weight	0.14kg



TV Spigot with Followspot Plate



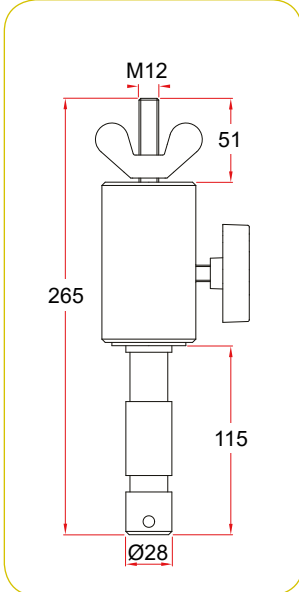
T72700	M10
Weight	0.97kg



Roller Race TV Spigot



T74200	M12
Weight	2.5kg



35mm Speaker Spigot



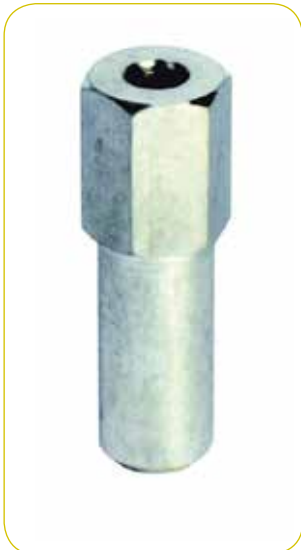
T74400	35mm
Weight	0.76kg

35mm Speaker Mount

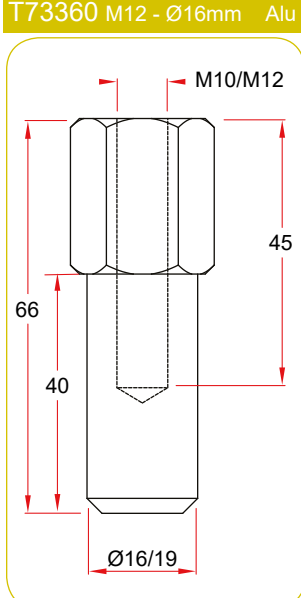
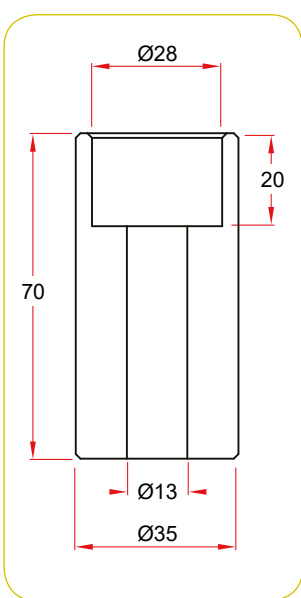
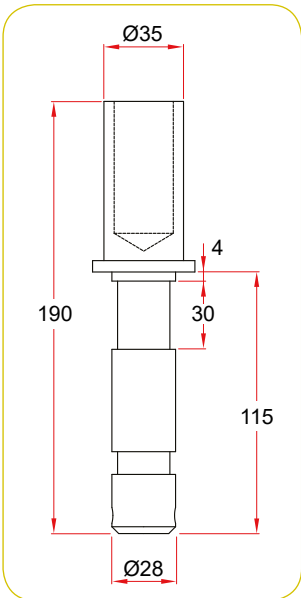


T74402	
Weight	0.13kg

Female 19mm Spigot



T73400	M10 - Ø19mm	Alu
T73401	M10 - Ø19mm	Steel
T73500	M12 - Ø19mm	Alu
T73501	M12 - Ø19mm	Steel
T73350	M10 - Ø16mm	Alu
T73360	M12 - Ø16mm	Alu



Mini Spigot (16mm)



T73900	Steel
Weight	0.11kg

Female 16mm Solo Spigot

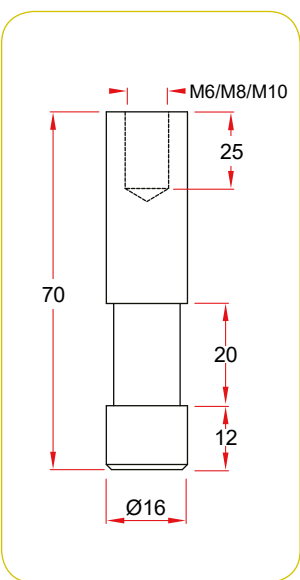
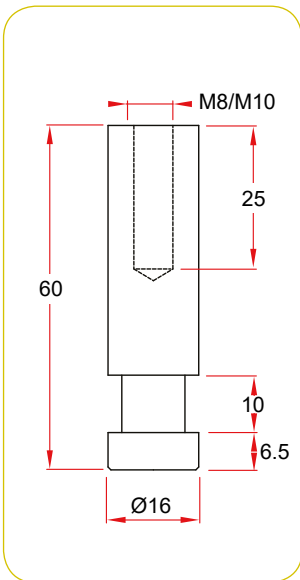
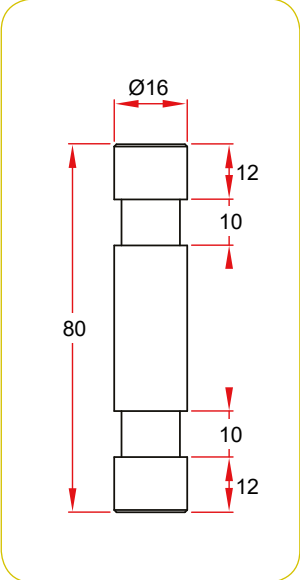


T73370 M8	Aluminium
T73380 M10	Aluminium
Weight	0.03kg

16mm 'Beamer' Spigot



T73390 M10	Aluminium
T73391 M6	Aluminium
T73392 M12	Aluminium
Weight	0.03kg



16mm Spigot (Male)



G1188 Stainless	
Weight	0.02kg

Spigot 16 x 16mm Lighting

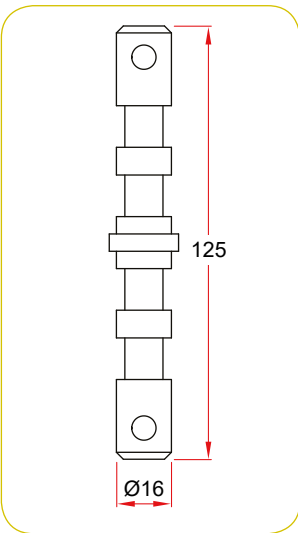
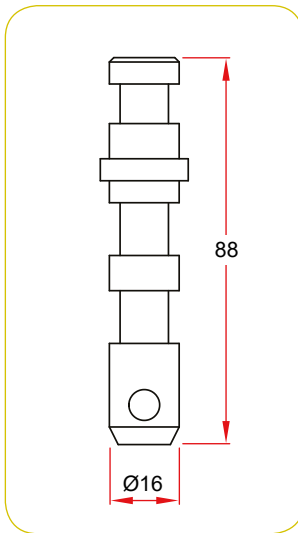
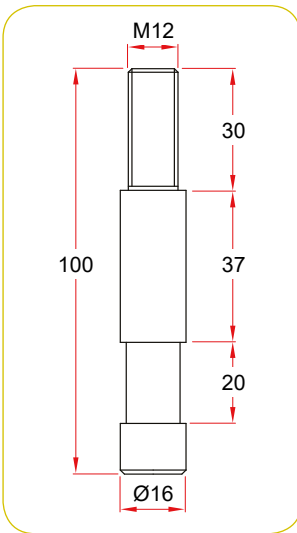


G1198	Steel
G1199	Aluminium
Weight	0.11kg

Spigot 16 x 16mm Grip

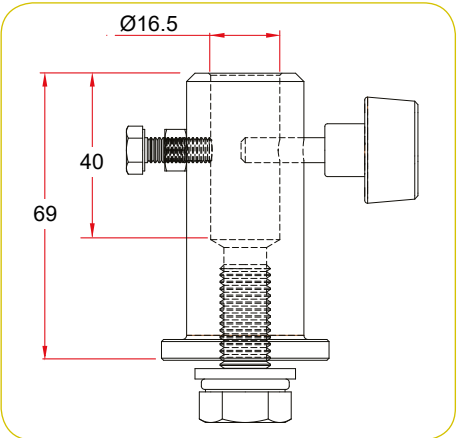


G1196	Aluminium
G1195	Aluminium
Weight	0.15kg



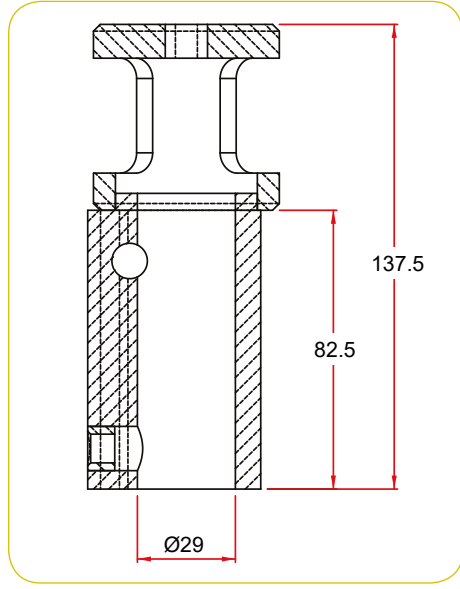
16mm Receiver

T51101	Black
WLL	50kg
Weight	0.30kg



3 Point Receiver

T84300	Black
T84310	Sliver
WLL	100kg
Weight	0.50kg



Adaptor TV



T74100 28mm x 16mm

T74000 28mm x 19mm

Weight 0.90kg

Reducer 28 x 16mm



T73800 Steel

Weight 0.60kg

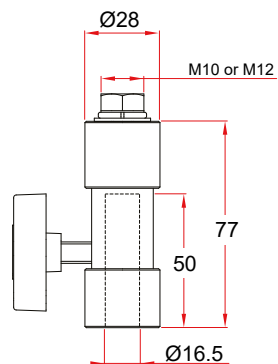
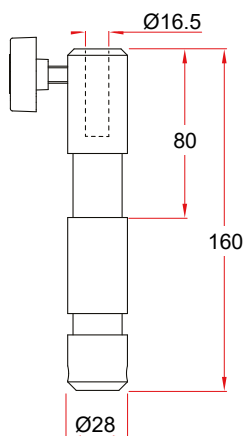
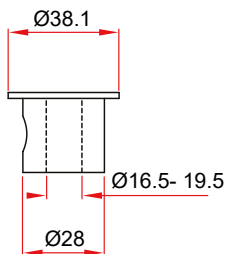
Adaptor TV Standard



T74307 M10 Steel

T74308 M12 Steel

Weight 0.33kg



Lighting Spigot



G1190 - Steel
G1191 - Aluminium

Stand Adaptor



G1189

Socket Adaptor



G1002
29mm x 16mm

Socket Adaptor



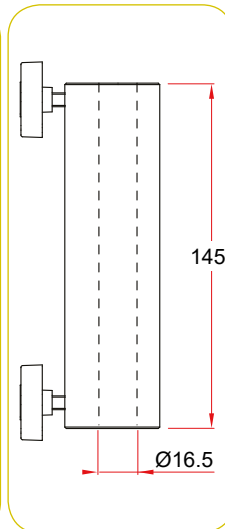
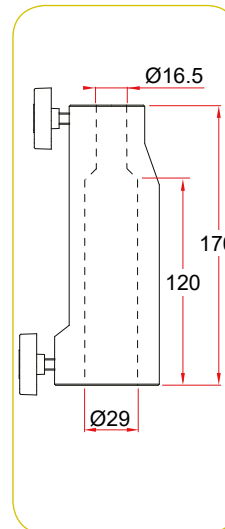
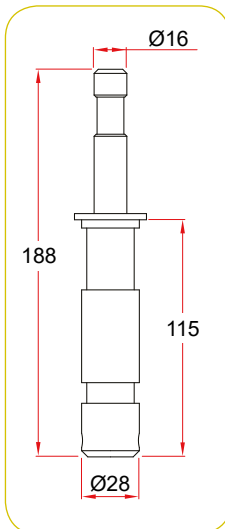
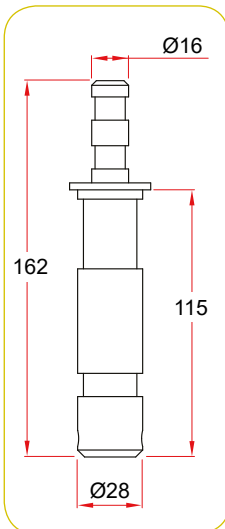
G1003
16mm x 16mm

G1190	Steel
28 x 16mm	
Weight	0.56kg

G1189	Steel
28 x 16mm	
Weight	0.60kg

G1002	
29 x 16mm	
Weight	0.43kg

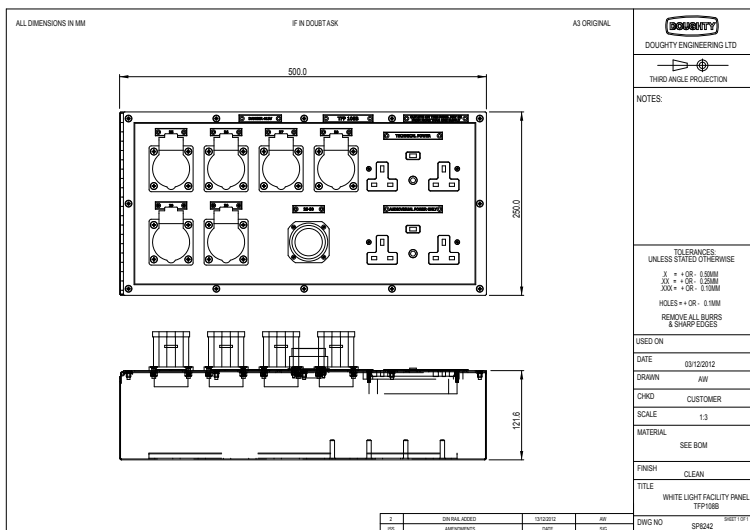
G1003	
16 x 16mm	
Weight	0.34kg



Bespoke Facility Panels

We manufacture high quality bespoke Facility Panels and Production Lighting Boxes in our UK factory and are happy to liaise with theatre consultants to ensure optimum realisation of designs or concepts.

Full production drawings featuring all components are produced for each panel, for client approval prior to production, saving time and ensuring total satisfaction.

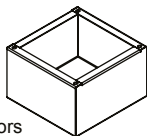


Standard Boxes

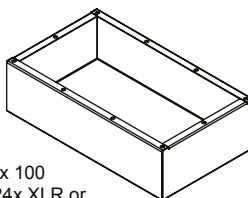
Standard Toughboxes are a range of electrical boxes, constructed from 2mm steel, and powder coated Satin Black. The faceplate is secured using M4 fixings.

Front Panels can be made to suit any of connector arrangement. CAD models of the front panels are available on request.

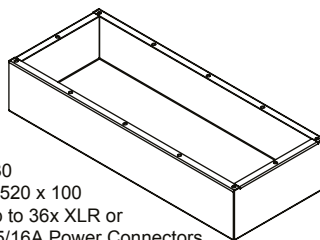
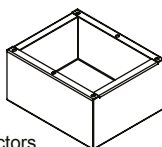
T78100
165 x 160 x 100
For up to 6x XLR or
1x 15/16A Power Connectors



T78125
210 x 360 x 100
For up to 24x XLR or
8x 15/16A Power Connectors

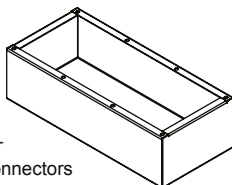


T78105
165 x 200 x 100
For up to 8x XLR or
2x 15/16A Power Connectors

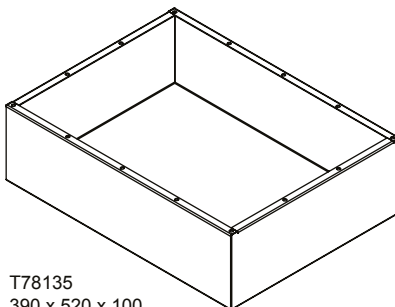
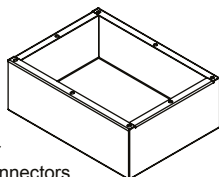


T78130
210 x 520 x 100
For up to 36x XLR or
12x 15/16A Power Connectors

T78115
165 x 360 x 100
For up to 16x XLR or
4x 15/16A Power Connectors



T78120
210 x 280 x 100
For up to 18x XLR or
6x 15/16A Power Connectors



T78135
390 x 520 x 100
For up to 84x XLR or
24x 15/16A Power Connectors

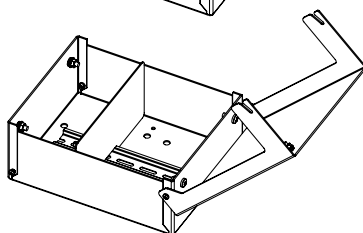
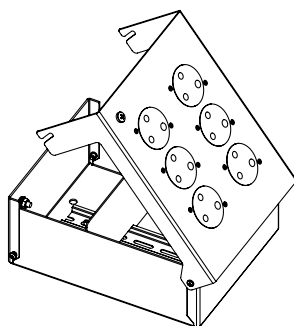
TOUGHBOX

Toughboxes are a modern evolution of the traditional Facility Panel or Socket Outlet Box.

The Toughbox construction allows for a hinge to be integrated into the front panel, and two returns create a very rigid socket mounting. The hinge can be specified on either side, or at the bottom or top of the panel, (Bespoke Panels). This hinge enables quicker on-site socket termination, and reduces potential cable strain in the process.

Bespoke Toughboxes can be specified to whatever size the application dictates, and are available with engraved labels, crash and tie bars, segregation plates, special paint finishes to list but a few options. Please contact us with any specialist applications, we are happy to discuss any ideas you may have.

Standard Toughboxes offer a variety of Power and Signal Outlets, and are available with or without connectors. Standard Toughboxes also feature a range of mounting holes in the back box, including holes to accept 'U'-bolts for barrel mounting, and Unistrut bolt holes for ceiling mounting.



Standard Toughboxes

T78210	Flatform Termination Box	
T78225	8 x XLR	
T78230	8 x XLR	no connectors
T78235	6 x 15A	
T78240	6 x 15A	no connectors

Internally Wired Bars

The Doughty Internally Wired Bar range features a unique extruded side mounted terminal box allowing increased access. Sockets are mounted in tough injection moulded ABS socket boxes.

A full range of sockets is held in stock to ensure an efficient service is maintained. Physical Segregation is available for Data Connections etc.

All IWBs are made to order and we are able to offer a bespoke service to a customer's requirements.

Built and tested to the following standards:

- Low voltage directive (2006/95/EC)
- EN60065
- BS EN60059
- BS 7906-1:2003

Working Load Limits:

- 78kg uniformly distributed between 2 metre suspension points
- 39kg point load between 2 metre suspension points





13 Amp Socket



15 Amp Socket



16 Amp Socket



XLR



RJ45



Schuko



Special Boxes



Socapex Termination



Engraved Labeling



Extruded Side Mounted Terminal Box



Mini Bar

Studio Rail 60

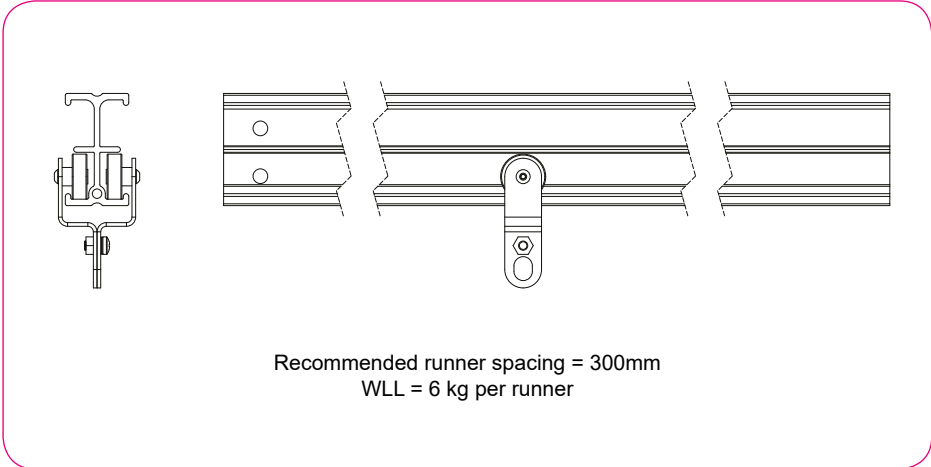
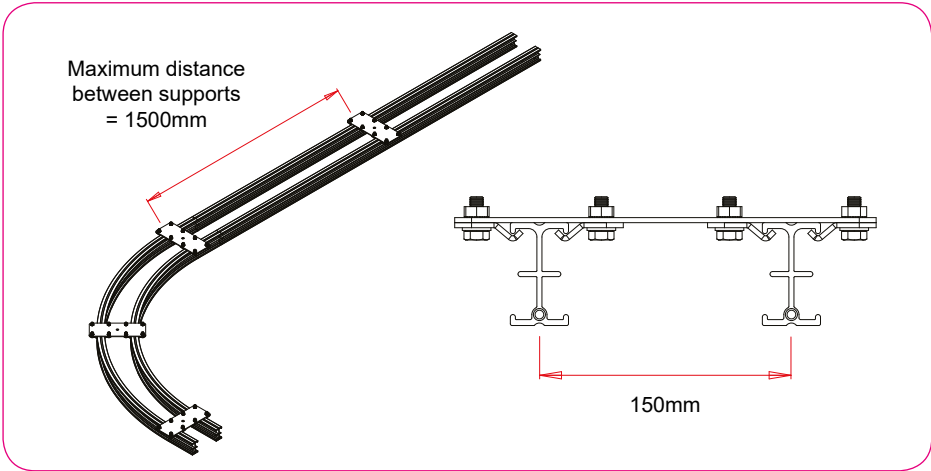
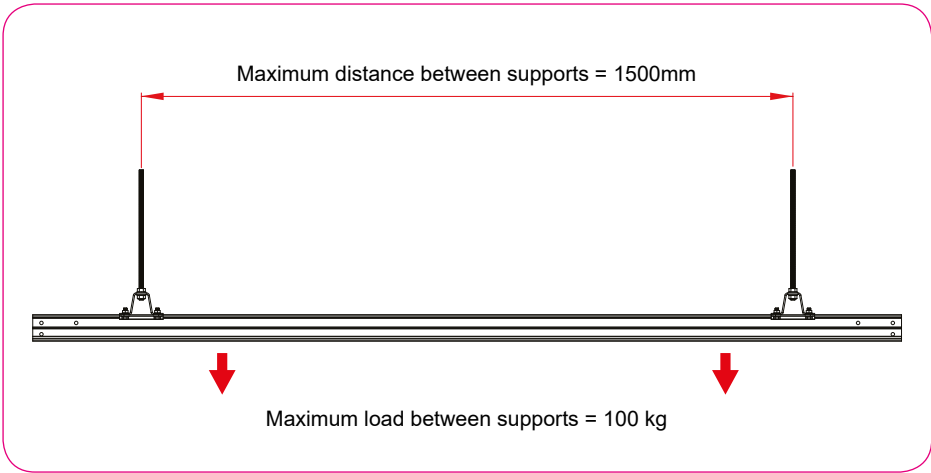
Studio Rail 60 is an extruded aluminium rail available with all the components necessary for a comprehensive overhead studio rail system.

Available in a choice of natural aluminium or black anodised finish, Studio Rail features a unique joint pin system which aids rail alignment and installation.

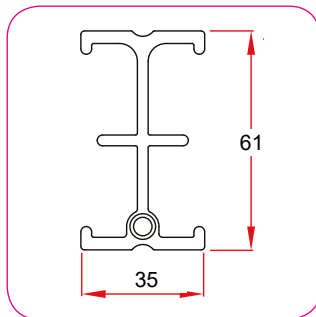
Studio Rail is available in straight lengths from two to six metres and six standard radius curves with special curves made to order.

As with most Doughty products Studio Rail is manufactured in house. We hold an extensive range in stock for rapid delivery and are able to offer bespoke designs and components to suit individual customer requirements.





Straight Track



Silver			Black		
T84000	2m	2.90kg	T84035	2m	2.90kg
T84005	3m	4.30kg	T84040	3m	4.30kg
T84010	4m	5.80kg	T84045	4m	5.80kg
T84015	6m	8.60kg	T84050	6m	8.60kg

Curved Track 90°

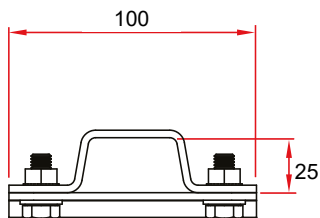
Radii measured to centre of rail allowing 150mm rail centres with multiple rail systems.

Each curve has a 150mm straight lead in to aid assembly.

Special curves available on request.

Silver			Black		
T84017	R=75cm	2.15kg	T84052	R=75cm	2.15kg
T84018	R=90cm	2.49kg	T84053	R=90cm	2.49kg
T84019	R=105cm	2.83kg	T84054	R=105cm	2.83kg
T84020	R=120cm	3.18kg	T84055	R=120cm	3.18kg
T84025	R=135cm	3.51kg	T84060	R=135cm	3.51kg
T84030	R=150cm	3.85kg	T84065	R=150cm	3.85kg

Ceiling Bracket (25mm)

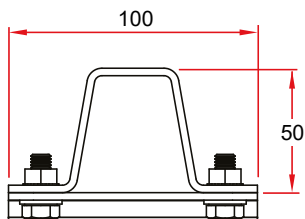


T84120 WLL 100kg

Weight 0.52kg

Accepts M10 or M12 fixings.
Supplied with Rail Clamps.

Ceiling Bracket (50mm)

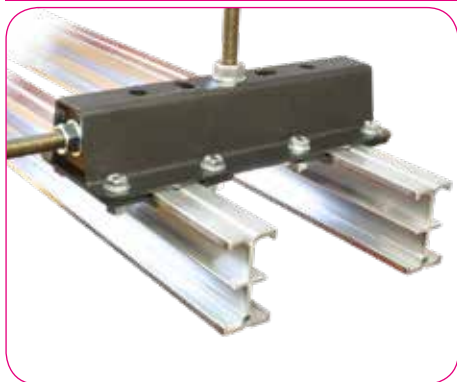


T84121 WLL 100kg

Weight 0.60kg

Accepts M10 or M12 fixings.
Supplied with Rail Clamps.

Ceiling Bracket with Wall Tie option

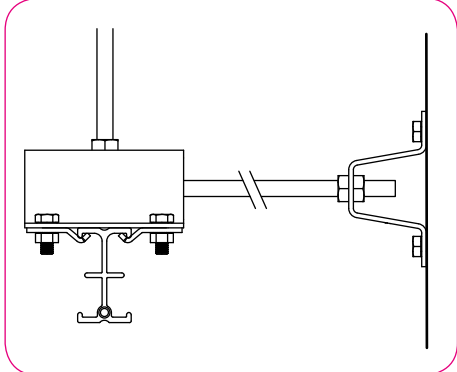


T84116 Single Rail Bracket WLL 100kg

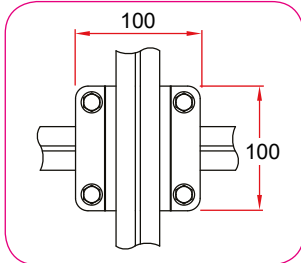
T84117 Double Rail Bracket WLL 100kg

T84118 Triple Rail Bracket WLL 100kg

Ideal for suspending twin or triple cyclorama rails. Can also be used to steady grids or cyclorama rails suspended on long stud drops.

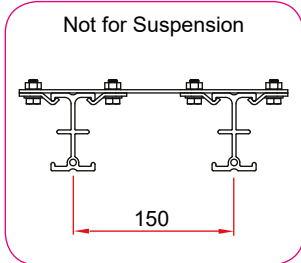


90° Crossover Bracket



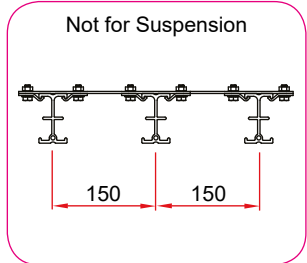
T84130 WLL 100kg
 Weight 0.65kg
 Supplied with 4 x Rail Clamps.

Spacer Plate (Double Rail)



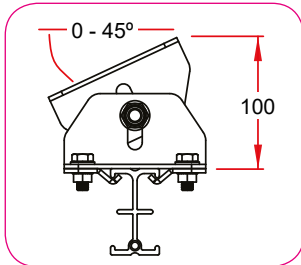
T84110 WLL 100kg
 Weight 1.00kg
 Supplied with 4 x Rail Clamps.

Spacer Plate (Triple Rail)



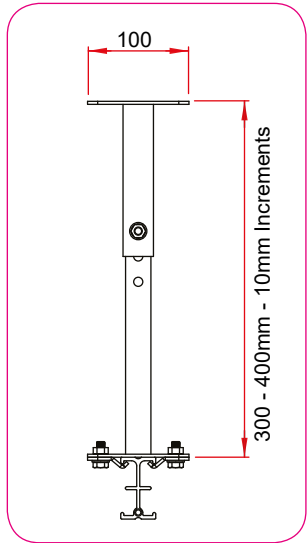
T84115 WLL 100kg
 Weight 1.30kg
 Supplied with 6 x Rail Clamps.

Adjustable Angle Bracket



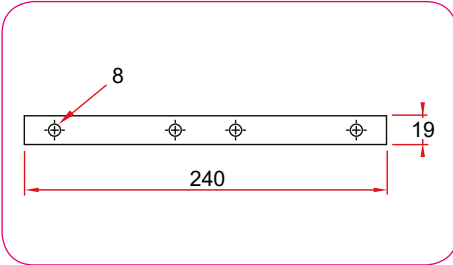
T84165 WLL 100kg
 Weight 0.90kg
 Supplied with Rail Clamps.

Extension Bracket



T84160 WLL 100kg
 Weight 1.35kg
 Adjustable. Supplied with Rail Clamps.

Studio Rail Joiner Kit



T84070	Silver	0.20kg
T84071	Black	0.20kg

Supplied with Joint Pin.

Studio Rail Spare Joint Pins x 5



T84075	0.04kg
--------	--------

The Joint Pins aid assembly and rail alignment.

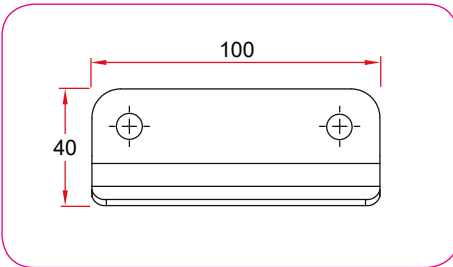
Studio Rail End Stops x 4



T84080	0.13kg
--------	--------

A pair of nylon end stops, supplied as 4 sets.

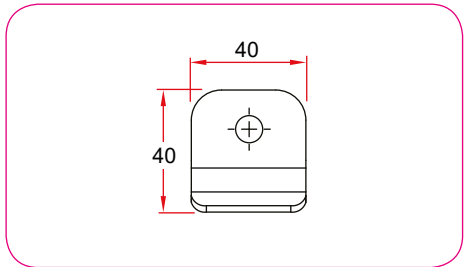
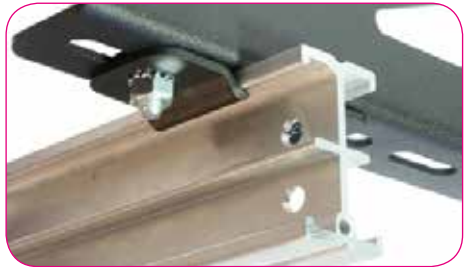
Studio Rail Clamps x 2



T84085	0.17kg
--------	--------

A pair of steel rail clamps can be used to clamp rail directly to a solid surface.

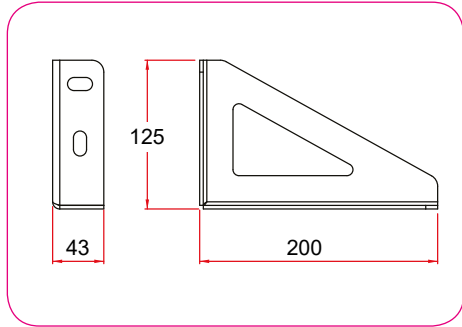
Studio Rail 40mm Clamps x 2



T84086	0.17kg
--------	--------

A pair of steel rail clamps can be used to clamp rail directly to a solid surface.

Studio Rail Slotted Wall Bracket 200mm (single rail)



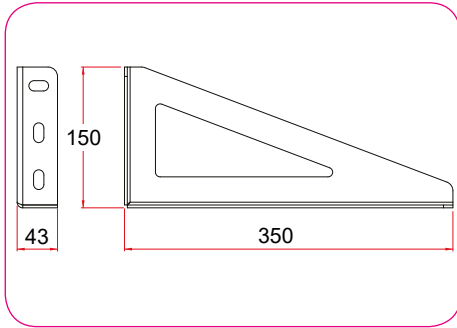
T84105

WLL 25kg

0.55kg

Can be used with T84120 Ceiling Bracket.

Studio Rail Slotted Wall Bracket 350mm (double rail)



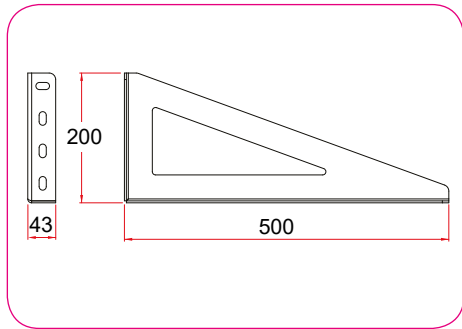
T84106

WLL 25kg

0.90kg

Can be used with T84120 Ceiling Bracket.

Studio Rail Slotted Wall Bracket 500mm (triple rail)



T84107

WLL 25kg

1.50kg

Can be used with T84120 Ceiling Bracket.

Cable Car x 5



T84220

WLL 6kg

Steel frame with bearings.

Curtain Car x 5



T84225

WLL 10kg

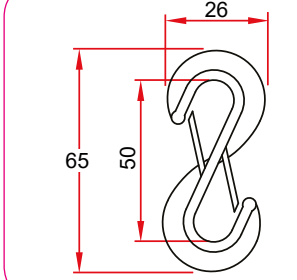
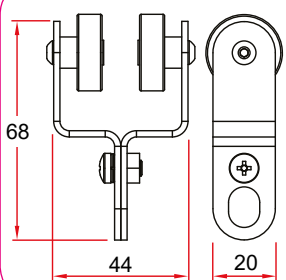
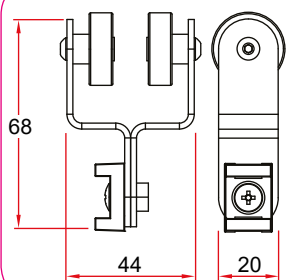
Steel frame with bearings.

Nylon Twin Hook

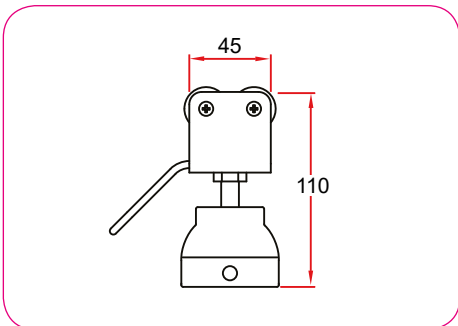


T63796

WLL 6kg



Cupped Curtain Brake



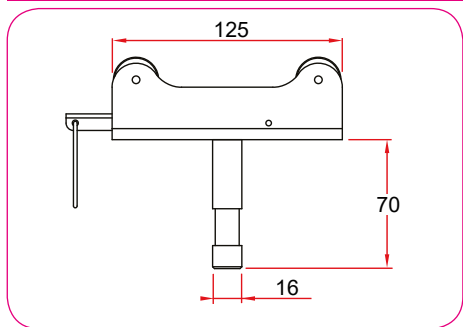
T84230

WLL N/A

0.35kg

Predominantly used to anchor each end of a curtain.

4 Wheel Car (fitted with 5/8" spigot) (brake)



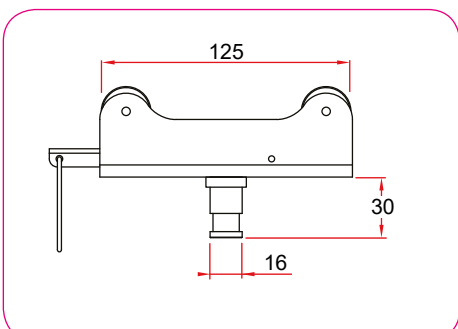
T84185

WLL 50kg

0.50kg

Designed to accept a 16mm receiver and fitted with a friction brake as standard.

4 Wheel Car (fitted with 5/8" mini spigot) (brake)



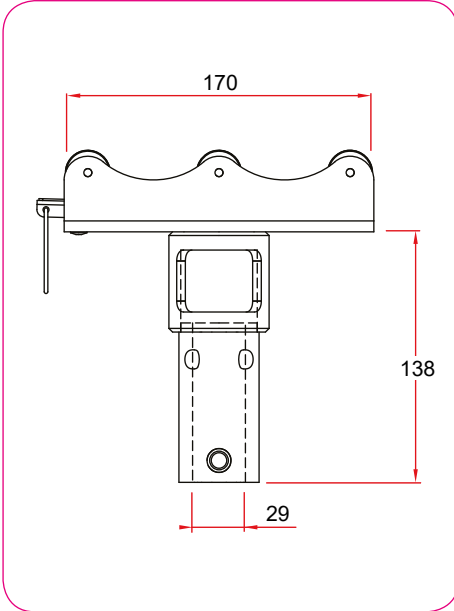
T84186

WLL 50kg

0.45kg

Designed to accept a 16mm receiver and fitted with a friction brake as standard.

6 Wheel Car 28mm Receiver Carriage



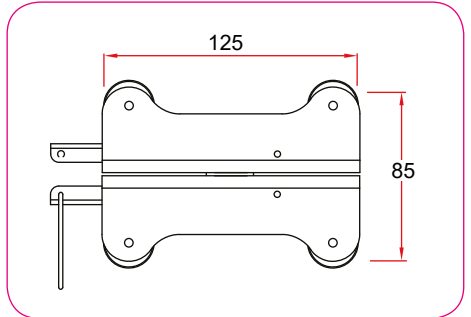
T84205

WLL 100kg

1.10kg

A 6 wheel car fitted with a brake and 3 point 28mm receiver.

4 Wheel Double Swivel Car (brake)



T84215

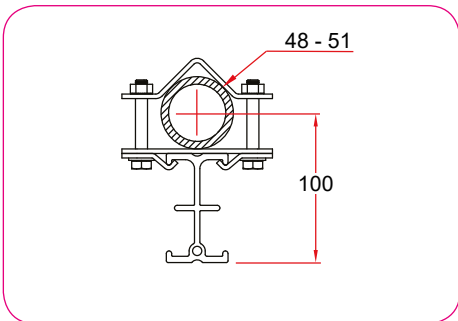
WLL 75kg

0.90kg

The double swivel carriage enables two rails to be mounted on top of one another. Ideal for use where two parallel rails are installed with cross rails to suspend the luminaires etc.



Studio Rail to Tube Bracket



T84180

WLL 100kg

0.80kg

This bracket enables Studio Rail to be mounted to 48 - 51mm diameter tubes. Supplied with rail clamps.

Studio Rail Swivel Arm



T84515

Supplied fitted to a 6 wheel carriage

Working Load up to 25kg

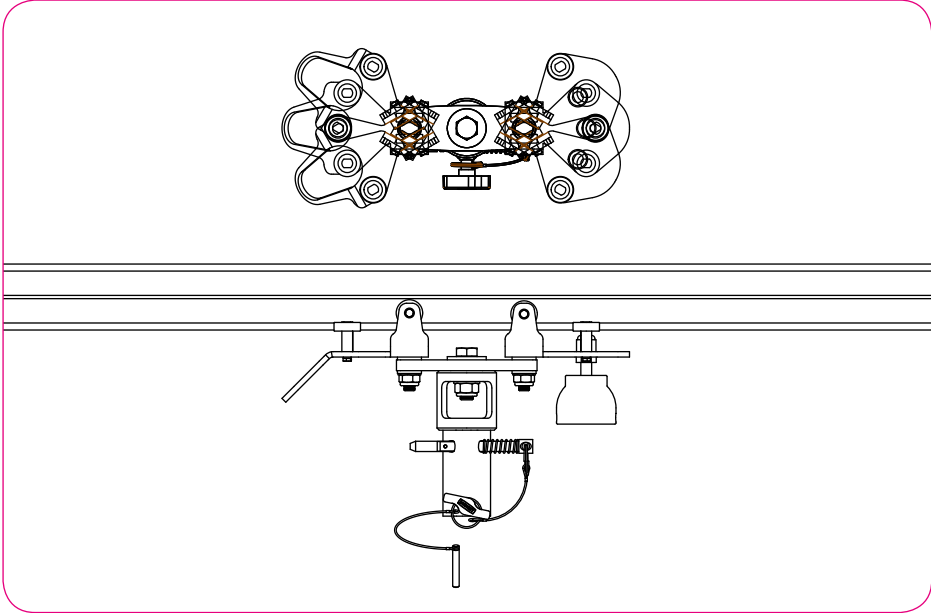
T84516

Supplied with Ø25mm x 2m black tube

Working Load up to 25kg

Fitted to a 6 wheel carriage with friction brake the Swivel Arm's position can easily be adjusted on a length of Studio Rail. The Swivel Arm enables 360° positioning of leg / wing curtains or light scenery traditionally used to aid masking of wing space on stage from audience sight lines.

Studio Rail Articulated Carriage



T84217

WLL 200kg

The Studio Rail Articulated Carriage can be used with any size radius curves.

Studio Rail Drilling Jig

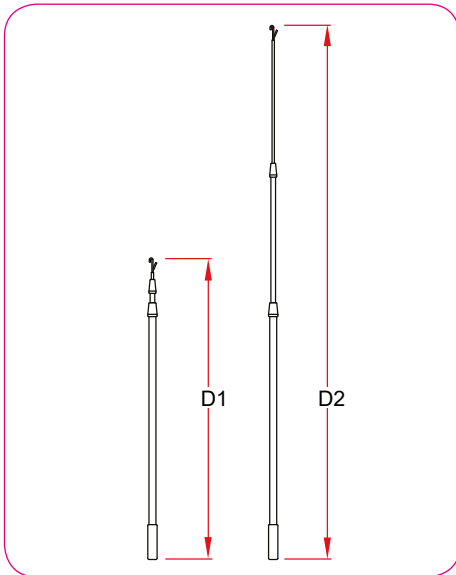


T84260

0.26kg

A CNC machined aluminum jig fitted with hardened drill bushes. This jig enables the installer to drill the joint holes in any cut pieces of rail accurately ensuring a correctly aligned joint.

Operating Poles



	WLL	D1	D2	kg
T84249	N/A	1600mm	2800mm	1.00kg
T84250	N/A	2000mm	3700mm	1.20kg
T84251	N/A	2100mm	4600mm	1.40kg
T84252	N/A	2100mm	5500mm	1.80kg
T84253	N/A	2750mm	7400mm	2.20kg

A lightweight telescopic anodised aluminium operating pole fitted with a replaceable hook.

Studio Rail 80

Studio Rail 80 is an extruded aluminium rail available with all the necessary components required to install a comprehensive overhead studio rail system.

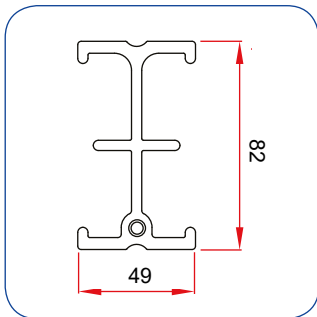
Studio Rail 80 features a unique joint pin system which aids rail alignment and installation.

Studio Rail 80 is available in straight lengths from two to six metres and six standard radius curves with special curves made to order.

As with most Doughty products Studio Rail 80 is manufactured in house. We hold an extensive range in stock for rapid delivery and are able to offer special bespoke designs and components to customer requirements.



Straight Rail



Silver			Black		
T85000	2m	2.90kg	T85035	2m	2.90kg
T85005	3m	4.30kg	T85040	3m	4.30kg
T85010	4m	5.80kg	T85045	4m	5.80kg
T85015	6m	8.60kg	T85050	6m	8.60kg

Curved Track 90°

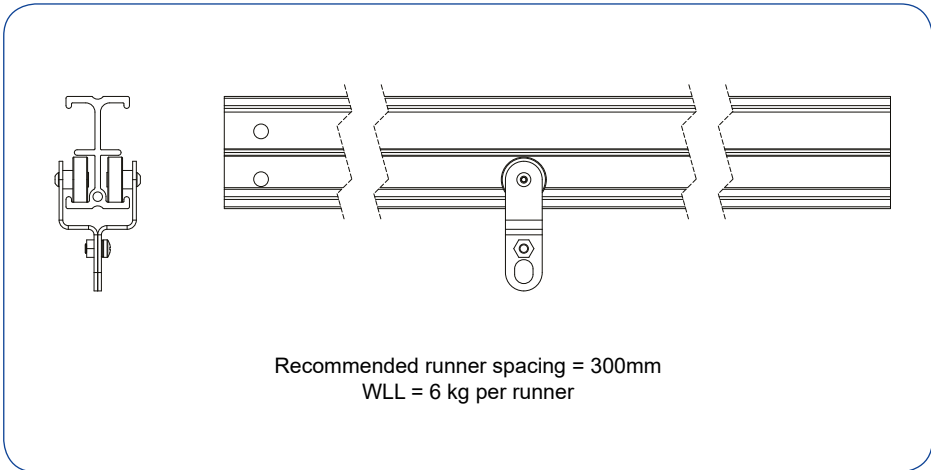
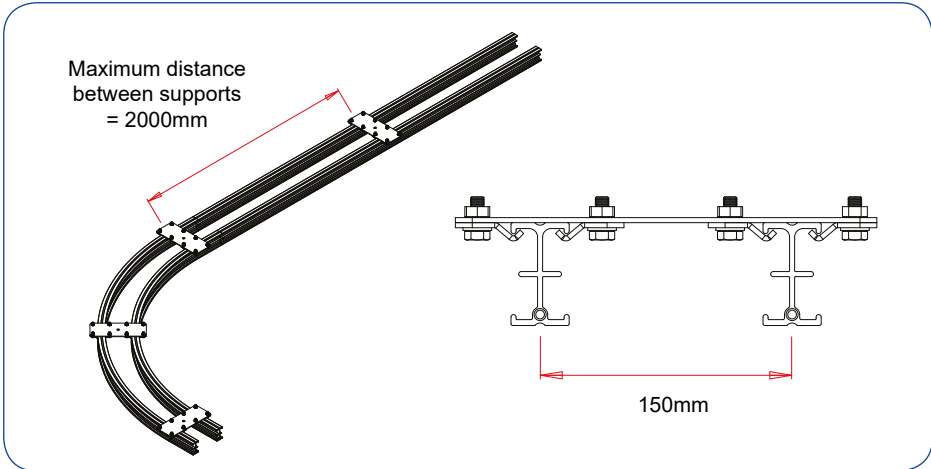
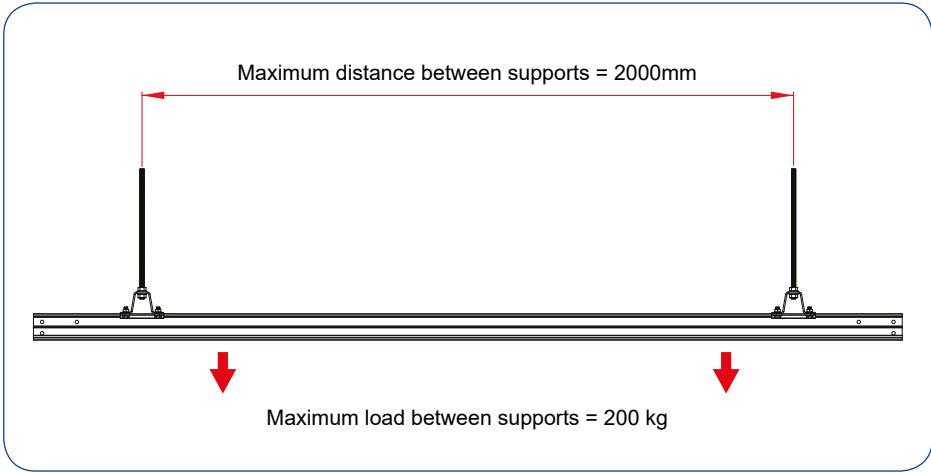
— R150
 — R135
 — R120
 — R105
 — R90
 — R75

Radii measured to centre of rail allowing 150mm rail centres with multiple rail systems.

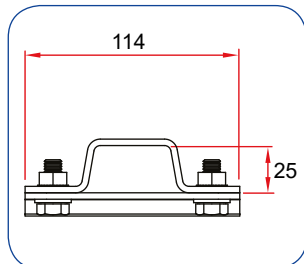
Each curve has a 150mm straight lead in to aid assembly.

Special curves available on request

Silver			Black		
T85017	R=75cm	2.15kg	T85052	R=75cm	2.15kg
T85018	R=90cm	2.49kg	T85053	R=90cm	2.49kg
T85019	R=105cm	2.83kg	T85054	R=105cm	2.83kg
T85020	R=120cm	3.18kg	T85055	R=120cm	3.18kg
T85025	R=135cm	3.51kg	T85060	R=135cm	3.51kg
T85030	R=150cm	3.85kg	T85065	R=150cm	3.85kg



Ceiling Bracket 25mm

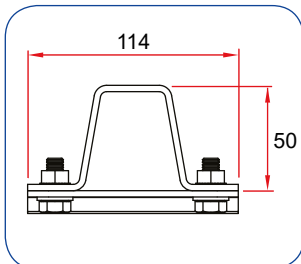


T85120 WLL 200kg

Weight 0.60kg

Supplied with rail clamps.

Ceiling Bracket 50mm

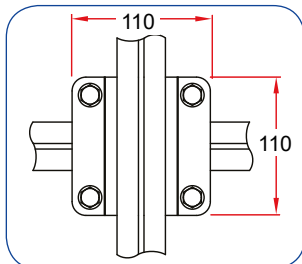
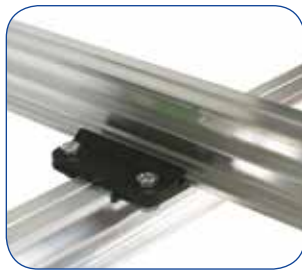


T85121 WLL 200kg

Weight 1.00kg

Supplied with rail clamps.

90° Crossover Bracket

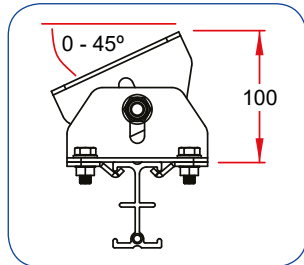


T85130 WLL 200kg

Weight 0.65kg

Supplied with 4 x rail clamps.

Adjustable Angle Bracket

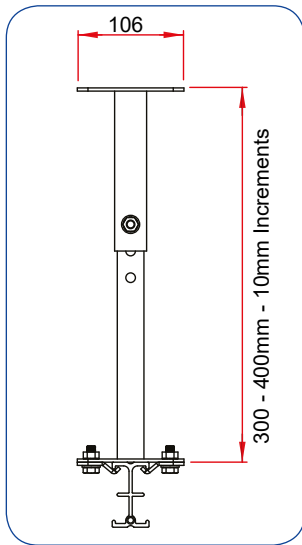


T85165 WLL 100kg

Weight 0.90kg

Supplied with rail clamps.

Extension Bracket



T85160 WLL 200kg

Weight 1.35kg

Adjustable. Supplied with rail clamps.

Spacer Plate (double rail)



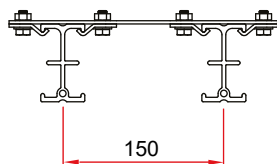
Spacer Plate (triple rail)



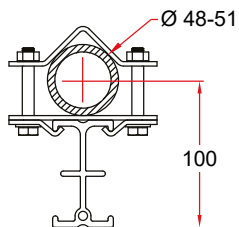
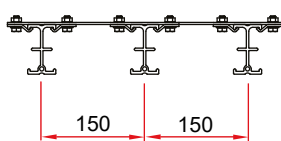
Studio Rail 80 to Tube Bracket



Not for Suspension



Not for Suspension



T85110 WLL N/A

Weight 1.00kg

T85115 WLL N/A

Weight 1.30kg

T85180 100kg

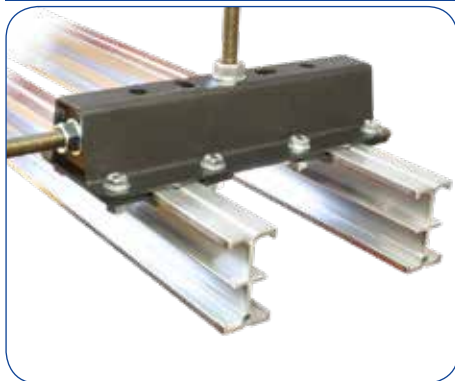
Weight 0.90kg

Supplied with rail clamps.

Supplied with rail clamps.

Supplied with rail clamps.

Ceiling Bracket with Wall Tie option

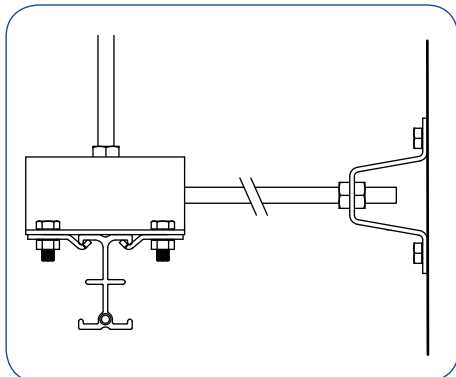


T85116 Single Rail Bracket WLL 100kg

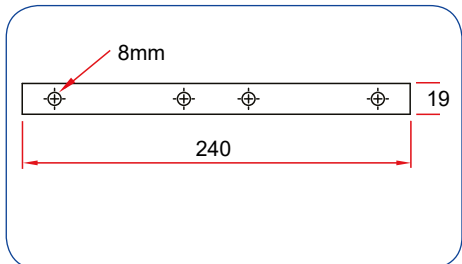
T85117 Double Rail Bracket WLL 100kg

T85118 Triple Rail Bracket WLL 100kg

Ideal for suspending twin or triple cyclorama rails. Can also be used to steady grids or cyclorama rails suspended on long stud drops.



Joiner Kit



T85070 Silver 0.20kg

Supplied with Joint Pin.

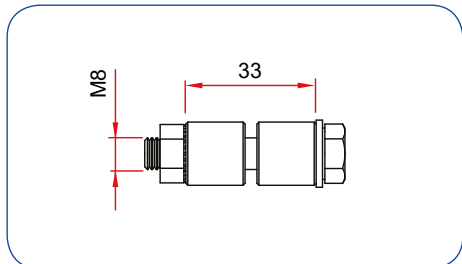
Spare Joint Pins x 5



T85075 0.04kg

The Joint Pins aid assembly and rail alignment.

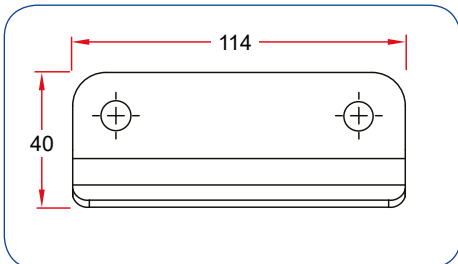
End Stops x 4



T85080 0.13kg

A pair of nylon end stops, supplied as 4 sets.

Clamps x 2



T85085 0.20kg

A pair of steel rail clamps, can be used to clamp rail directly to a solid surface.

Cable Car x 5



T85220 WLL 6kg

Steel frame with bearings

Curtain Car x 5



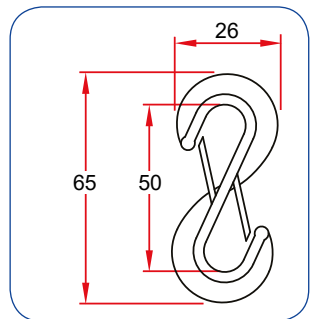
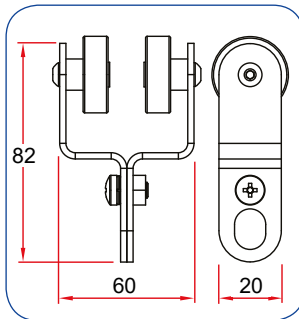
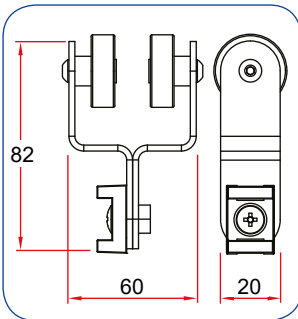
T85225 WLL 10kg

Steel frame with bearings

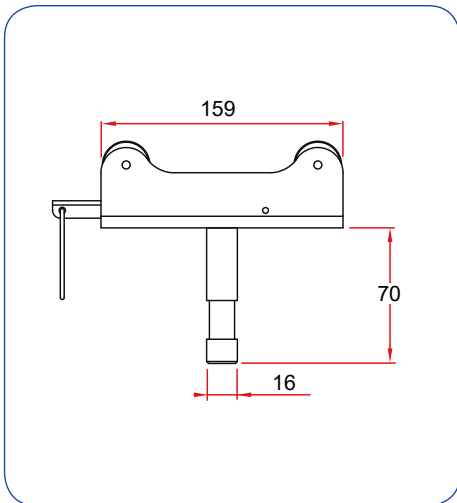
Nylon Twin Hook



T63796 WLL 6kg



4 Wheel Carriage (fitted with $\frac{5}{8}$ " spigot) (brake)



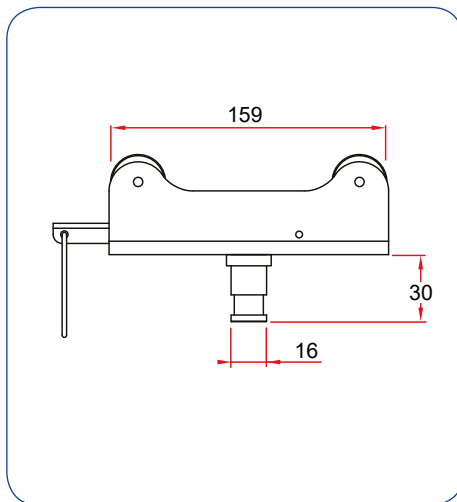
T85185

WLL 200kg

0.60kg

Designed to accept a 16mm receiver and fitted with a friction brake as standard.

4 Wheel Carriage (fitted with $\frac{5}{8}$ " mini spigot) (brake)



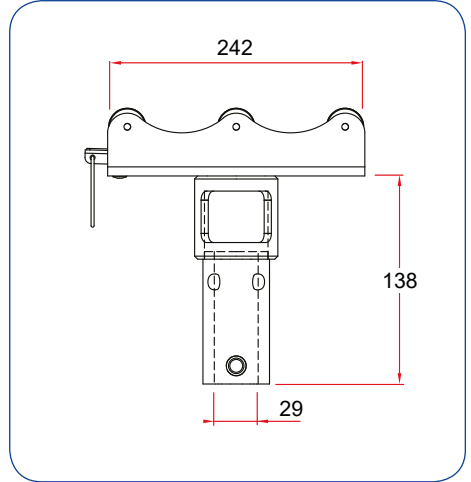
T85186

WLL 200kg

0.50kg

Designed to accept a 16mm receiver and fitted with a friction brake as standard.

6 Wheel Carriage (fitted with 28mm receiver) (brake)

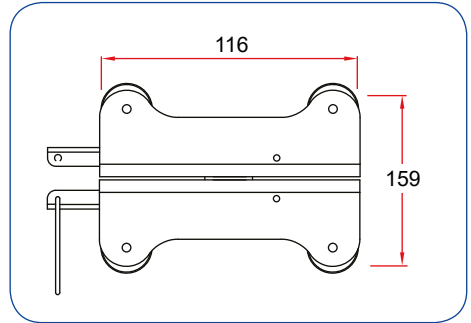


T85205

WLL 200kg

1.2kg

4 Wheel Double Swivel Car (brake)

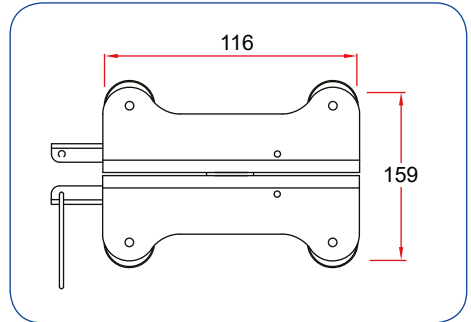


T85215

WLL 100kg

1.0kg

Studio Rail 80 to Studio Rail 60 Double Swivel Car (brake)



T85217

WLL 75kg

1.0kg

Studio Rail 80 Drilling Jig

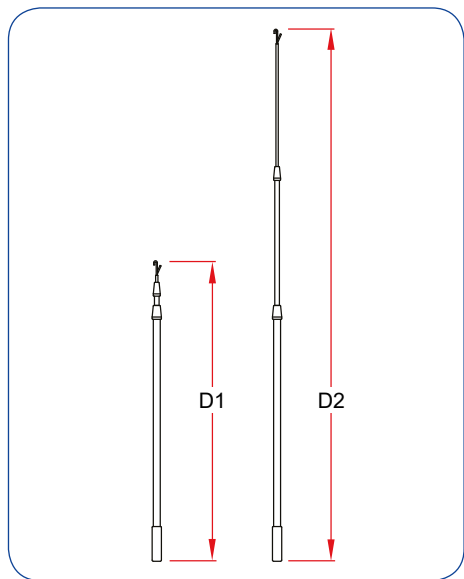


T85260

0.26kg

A CNC machined aluminum jig fitted with hardened drill bushes. This jig enables the installer to drill the joint holes in any cut pieces of rail accurately ensuring a correctly aligned joint.

Operating Poles



	WLL	D1	D2	D3	kg
T84249	N/A	1600mm	2800mm	N/A	1.00kg
T84250	N/A	2000mm	3700mm	N/A	1.20kg
T84251	N/A	2100mm	4600mm	N/A	1.40kg
T84252	N/A	2100mm	5500mm	N/A	1.80kg
T84253	N/A	2750mm	7400mm	N/A	2.20kg

A lightweight telescopic anodised aluminium operating pole fitted with a replaceable hook.

Barrel Trolleys

Barrel Trolleys are normally used to suspend Pantographs from fixed or rolling pipe grids and barrel hoists. The new range of lightweight cast aluminium barrel trolleys from Doughty is designed to roll along 48mm diameter tubes. The trolleys are supplied as standard with a socket to accept 28mm TV spigots. Braked and unbraked versions are available in crackle black powder paint.

Barrel Trolley



G1600 WLL 75kg 2.5kg

Braked Barrel Trolley



G1642 WLL 75kg 2.5kg

Slimline Barrel Trolley



G1605 WLL 75kg 2.5kg

Slimline Braked Barrel Trolley



G1645 WLL 75kg 2.5kg

Lightweight Pantographs

The Doughty Lightweight Sprung Pantograph is ideal for smaller TV and photographic studios. Supplied in black finish, the Lightweight Pantograph comes in two sizes, 2m and 3m, with a load rating of 3 - 15kg, making it suitable for lightweight luminaires.



Mounting - 16mm Receiver

G1500	2.0m	WLL 3 - 15kg
G1501	3.0m	WLL 3 - 15kg



Mounting - Studio Rail 60

G1510	2.0m	WLL 3 - 15kg
G1511	3.0m	WLL 3 - 5kg

All lightweight pantographs are supplied with a 16mm mini spigot bottom fixing unless requested otherwise.

Standard Pantographs

The Doughty Sprung Pantographs have been designed to be lightweight and compact, with strength, safety and ease of use being the main features. Loads from 5 to 36kg can be suspended from overhead tracks or barrels and quickly positioned with height ranges of 2.2 to 5 metres.



Standard Pantographs

	Springs	WLL	Length	kg
G1660	2	12kg	2.2m	7.8kg
G1662	2	12kg	3.0m	9.6kg
G1664	2	12kg	4.0m	13.0kg
G1666	2	12kg	5.0m	16.4kg
G1670	3	20kg	2.2m	7.5kg
G1672	3	20kg	3.0m	10.3kg
G1674	3	20kg	4.0m	13.6kg
G1676	3	20kg	5.0m	17.0kg
G1680	4	27kg	2.2m	7.5kg
G1682	4	27kg	3.0m	10.3kg
G1684	4	27kg	4.0m	10.4kg
G1686	4	27kg	5.0m	17.0kg
G1694	5	36kg	4.0m	15.8kg
G1696	5	36kg	5.0m	17.0kg

Lighting Hoists

The Doughty range of Lighting Hoists provides a highly versatile and economical suspension system. Together with our comprehensive range of control systems, specifically designed for the hoists, they provide a fully optimised and easy to use H&S compliant system.

Doughty Lighting Hoists are specified to individual requirements. Please contact our Technical Sales department for more information.

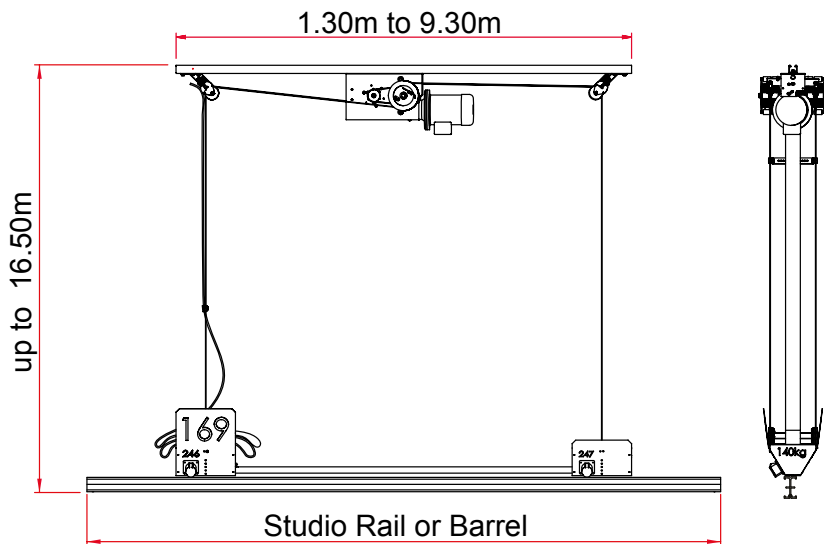
- Flexible modular design aiding maintenance and installation
- Can be fitted with programmable position control allowing hoist to return to memorised position
- Low self weight reduces building costs
- Compact 'closed height' for more height benefit in the studio
- Barrel 'roll past' feature is standard on the system
- Chassis and barrel lengths can be adjusted on-site to accommodate late building alterations.

Lighting Hoist Controller

- Single metal wall mounted enclosure
- Raise and lower buttons
- Emergency stop mushroom switch
- Power indicator light
- Antichatter circuitry as required by hoist
- Tamperproof cases available on request.



Shown in a lockable tamperproof case.



Standard Hoist Spec

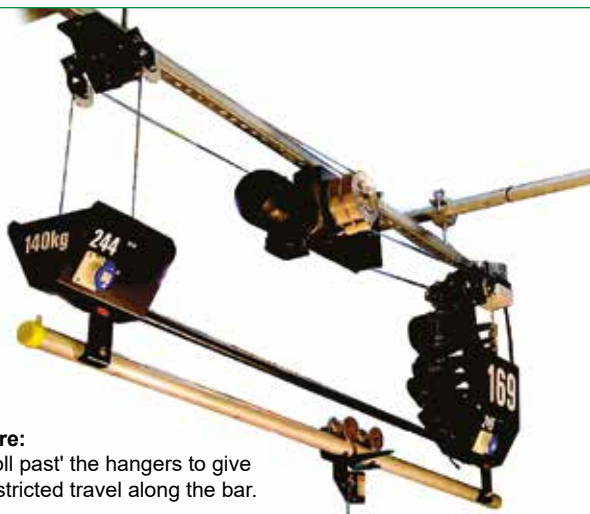
- 4 wire ropes
- Maximum load up to 140kg
- Maximum drop up to 16.5m
- Chassis length 1.3 to 3.3m
- Barrel diameter 48.3mm aluminium or steel 1.3 to 5m
- Typical self weight 70kg

Special Hoist Spec

- 4, 6 or 8 wire ropes
- Maximum load up to 200kg
- Hoist length up to 9.3m
- Barrel length up to 11m
- Scenery hoist options available

Full range of socket plates are available to suit individual requirements including audio, video, DMX and technical power. Platform, round and special cables can be used.

Sensors: overload, slack rope, rope break on each rope, top and bottom travel limits, with ultimate travel limits.



Roll Past Feature:

Barrel trolleys 'roll past' the hangers to give completely unrestricted travel along the bar.

Index by Part No

Part No	Page	Part No	Page	Part No	Page
G1002.....	260	G1195.....	257	G1680.....	291
G1003.....	260	G1196.....	257	G1682.....	291
G1104.....	222	G1198.....	257	G1684.....	291
G1106.....	222	G1199.....	257	G1686.....	291
G1108.....	222	G1200.....	211	G1694.....	291
G1110.....	222	G120001.....	211	G1696.....	291
G1113.....	222	G1210.....	211	G2005.....	245
G1114.....	222	G121001.....	211	G200501.....	245
G1115.....	51	G1220.....	211	G2006.....	245
G111501.....	51	G1221.....	212	G200601.....	245
G1128.....	145	G1230.....	212	G2007.....	245
G1129.....	145	G1235.....	212	G200701.....	245
G1140.....	213	G1240.....	212	G2008.....	245
G1141.....	213	G1245.....	212	G200801.....	245
G1142.....	213	G1250.....	212	G2020.....	217
G1147.....	213	G1255.....	212	G202001.....	217
G1150.....	206	G1260.....	211	G2021.....	217
G1155.....	206	G1300.....	214	G202101.....	217
G1160.....	205, 212	G1305.....	215	G2022.....	217
G116001.....	212	G1310.....	214	G202201.....	217
G11601.....	205	G1315.....	214	G2023.....	217
G1165.....	208	G1320.....	215	G202301.....	217
G1166.....	208	G1330.....	214	G2024.....	217
G1167.....	208	G1335.....	214	G2025.....	217
G1168.....	208	G1340.....	214	G2030.....	241
G1169.....	208	G1345.....	215	G203001.....	241
G1170.....	208	G1405.....	145	G2031.....	241
G1171.....	209	G1500.....	290	G203101.....	241
G1172.....	209	G1501.....	290	G2035.....	241
G1173.....	209	G1510.....	290	G203501.....	241
G1174.....	209	G1511.....	290	G2036.....	241
G1175.....	209	G1600.....	289	G203601.....	241
G1176.....	209	G1605.....	289	G2040.....	241
G1177.....	207	G1642.....	289	G204001.....	241
G1178.....	207	G1645.....	289	G2045.....	241
G1179.....	207	G1660.....	291	G204501.....	241
G1180.....	207	G1662.....	291	G2046.....	242
G1181.....	207	G1664.....	291	G204601.....	242
G1182.....	207	G1666.....	291	G2050.....	242
G1188.....	257	G1670.....	291	G205001.....	242
G1189.....	260	G1672.....	291	G2051.....	242
G1190.....	260	G1674.....	291	G205101.....	242
G1191.....	260	G1676.....	291	G2060.....	231

Part No	Page	Part No	Page	Part No	Page
G206001.....	231	T12800	167	T194002S.....	164
G2070.....	243	T12900	168	T194003	159
G207001.....	243	T13000	170	T1940058	158
G2071.....	243	T13100	169	T194005E.....	158
G207101.....	243	T13200	169	T194006	158
G2075.....	243	T13300	165, 174	T194007	159
G207501.....	243	T13301	165, 174	T194007E.....	159
G2076.....	243	T13400	170	T194009	159
G207601.....	243	T13500	171	T194010	160
G2080.....	244	T13800	170	T194011E.....	160
G208001.....	244	T14000	170	T194011.....	160
G2081.....	244	T14300	169	T1940125	160
G208101.....	244	T14400	169	T194013	160
G2085.....	244	T14500	169	T194013E.....	160
G208501.....	244	T14600	169	T194014S.....	164
G2086.....	244	T14700	171	T194016	165
G208601.....	244	T14800	171	T194017ADJ.....	163
G2090.....	244	T14900	167	T194017EM.....	162
G209001.....	244	T15800	168	T194017S.....	164
G2091.....	244	T16000	171	T194017SM.....	164
G209101.....	244	T16100	171	T194019	163
G2200.....	230	T16500	171	T194020	165
G2201.....	230	T16700	173	T194021-35	162
G3015.....	223	T16700M	172	T194021-45	162
G3016.....	223	T16800	173	T194022S.....	164
G3018.....	223	T16800M	172	T194023	163
G3301.....	223	T16900	172	T194025	163
G3501.....	229	T16900M	172	T194027	163
G3502.....	229	T17000	173	T194030C.....	163
G3503.....	229	T17100	173	T194042	161
G3504.....	229	T17300	173	T194045	161
G3505.....	229	T17300F	172	T194046	161
G3506.....	229	T17300M	172	T194046ADJ.....	161
G52800.....	231	T17600	168	T194050	162
G58115.....	23	T17620	174	T194054/3	162
ST57000.....	17	T17621	174	T194055	162
ST57001.....	17	T17622	174	T194070	159
ST57100.....	17	T17625	174	T194100	165
T10100	167	T17629	174	T194102	165
T10400	167	T17900	170	T194104	161
T11600.....	167	T18200	170	T194106E.....	159
T11900.....	168	T18250	173	T194120	165
T12500	167	T19100	175	T194122	165
T12600	168	T19200	175	T194595	161
T12700	168	T19300	175	T19700	100

Part No	Page	Part No	Page	Part No	Page
T19800	100	T23490	105	T29800	87
T19900	100	T23500	105	T29801	87
T19905	100	T23505	105	T29804	86
T19910	100	T23510	105	T29805	86
T20000	98	T24000	153	T29806	86
T20100	94	T2400001	154	T29810	87
T20101	94	T24001	153	T29850	88
T20102	95	T2400101	154	T29860	88
T2010201	95	T24002	153	T29870	89
T20103	97	T2400201	154	T30100	157
T2010301	97	T24003	153	T30101	157
T20104	94	T2400301	154	T30300	81
T2010401	94	T24004	153	T30400	80
T20105	95	T2400401	154	T30401	80
T2010501	95	T24010	155	T30404	80
T20107	94	T24015	153	T30405	79
T2010701	94	T2401501	154	T30406	79
T20200	98	T24800	156	T30407	79
T20201	98	T24801	156	T30408	78
T20301	98	T24900	156	T30409	78
T20400	95	T24901	156	T30410	78
T20401	95	T24905	157	T30500	82
T20405	97	T25000	157	T30600	82
T20500	100	T25100	157	T30700	83
T20600	100	T25108	157	T30800	80
T20700	100	T2510801	157	T30801	80
T20705	100	T25150	157	T30804	80
T20710	100	T28000	106	T30900	83
T20900	96	T28001	106	T31000	83
T20901	96	T28025	106	T31500	82
T20910	101	T28050	106	T31600	82
T21000	105	T28075	106	T31700	82
T21100	96	T2840001	117	T32000	81
T21101	96	T2841001	117	T32001	81
T21500	101	T2844001	117	T32002	81
T21600	101	T2844501	117	T32100	81
T21700	101	T2849001	117	T32101	81
T21705	101	T2870001	106	T32102	81
T21710	101	T28865	90	T32400	83
T21800	96	T28870	91	T32500	83
T21801	96	T28875	92	T33300	150
T21805	99	T29497	85	T33310	150
T2180501	99	T29498	85	T33400	83
T21810	99	T29500	86	T33500	83
T2181001	99	T29600	86	T33600	83
T22001	117	T29700	86	T33700	152

Part No	Page	Part No	Page	Part No	Page
T3370001	152	T39300	114	T42101	103
T33800	150	T39301	115	T42200	103
T33900	150	T39400	114	T42201	103
T34000	152	T39401	115	T42202	103
T34100	152	T39500	102	T42300	103
T37500	102	T39600	102	T42301	103
T37600	102	T39700	103	T42302	103
T37650	108	T39701	103	T42303	103
T37651	108	T39702	103	T42305	103
T37652	109	T39800	103	T42307	103
T37653	108	T39801	103	T42500	103
T37654	109	T39802	103	T42501	103
T37655	109	T39900	103	T42502	103
T37660	110	T39901	103	T42600	102
T37661	110	T39902	103	T42700	102
T37662	111	T40000	127	T42800	119
T37663	110	T40001	127	T42801	119
T37664	111	T40100	127	T42812	119
T37665	111	T401001	127	T42814	119
T37680	112	T40200	127	T42820	119
T37681	112	T402001	127	T42821	119
T37682	113	T40300	127	T42822	119
T37683	112	T403001	127	T42823	119
T37684	113	T40400	127	T42824	119
T38000	104	T40500	127	T42830	119
T38100	104	T405001	127	T42831	119
T38101	104	T40600	127	T42832	119
T38200	104	T41000	126	T42833	119
T38201	104	T41100	126	T42834	119
T38400	104	T41200	126	T42836	119
T38401	104	T41300	126	T42837	119
T38500	104	T41400	126	T42838	119
T38501	104	T41500	126	T42839	119
T38600	104	T41600	126	T42840	119
T38700	104	T41700	126	T42846	119
T38800	104	T41800	126	T42847	119
T38802	104	T41850	128	T42848	119
T38900	104	T41860	128	T42849	119
T38902	104	T41870	128	T42850	119
T39000	104	T41900	126	T42855	119
T39002	104	T41902	126	T42856	119
T39100	114	T41904	126	T42857	119
T39101	115	T42000	103	T42858	119
T39200	114	T42001	103	T42859	119
T39201	115	T42100	103	T42860	120

Part No	Page	Part No	Page	Part No	Page
T42861	120	T42987	124	T45786	68
T42865	120	T42988	124	T45790	68
T42870	120	T42989	124	T45791	68
T42872	120	T42990	124	T45795	71
T42885	121	T42995	124	T45800	76
T42886	121	T42997	125	T45801	76
T42897	121	T42998	125	T45810	76
T42898	121	T42999	125	T45811	76
T42899	121	T43000	236	T45815	76
T42901	123	T43001	236	T45816	76
T42902	123	T43003	236	T45820	76
T42903	123	T43100	236	T45821	76
T42904	123	T43101	236	T45825	76
T42905	123	T43103	236	T45826	76
T42911	123	T43200	236	T45830	76
T42912	123	T43201	236	T45831	76
T42913	123	T43203	236	T45835	76
T42914	123	T44450	216	T45836	76
T42915	123	T44460	216	T45837	74
T42921	123	T44470	216	T45850	75
T42922	123	T44475	216	T45851	75
T42923	123	T44500	216	T45852	75
T42924	123	T44640	216	T45853	75
T42925	123	T446401	216	T45855	75
T42931	123	T44645	216	T45856	75
T42932	123	T446501	216	T45900	72
T42933	123	T45745	73	T45901	72
T42934	123	T45747	73	T45910	72
T42935	123	T45750	76	T45911	72
T42941	123	T45751	74	T45978	71
T42942	123	T45752	74	T45979	71
T42943	123	T45755	74	T49200	238
T42945	123	T45756	75	T49300	238
T42951	123	T45757	73	T49400	238
T42952	123	T45758	73	T49465	238
T42953	123	T45760	69	T49475	238
T42954	123	T45761	69	T50500	230
T42955	123	T45765	69	T50502	230
T42979	125	T45766	69	T50503	247
T42980	125	T45767	70	T50600	232
T42981	125	T45768	70	T50700	232
T42982	125	T45775	68	T50810	235
T42983	125	T45776	68	T50811	235
T42984	124	T45780	68	T50812	235
T42985	124	T45781	68	T50813	235
T42986	124	T45785	68	T50814	235

Part No	Page	Part No	Page	Part No	Page
T50820	145, 233	T55500	246	T57210	62
T50825	145, 233	T55501	246	T57211	62
T50830	145, 233	T55510	247	T57214	63
T50835	145, 233	T55511	247	T57219	63
T50900	233	T55567	248	T57220	235
T50901	233	T55580	249	T57223	12
T51000	234	T55590	249	T57224	12
T51101	258	T55704	61	T57225	11
T51200	239	T55705	61	T5722501	11
T51201	239	T55710	63	T57227	11
T51600	239	T55715	63	T57230	15
T51601	239	T55720	64	T57235	12
T51700	250	T55725	64	T57236	12
T51701	250	T55750	65	T57249	53
T51800	239	T55755	65	T57250	53
T51801	239	T55780	65	T57310	57
T51900	240	T55785	65	T57311	57
T51901	240	T55800	66	T57315	57
T52000	240	T55805	66	T57316	57
T52001	240	T55810	66	T57317	57
T52100	240	T55815	66	T57318	57
T52101	240	T56500	83	T57320	57
T52200	234	T56600	83	T57321	57
T52201	234	T56800	83	T57325	58
T52600	234	T56900	83	T5732501	58
T52900	232	T57000	9	T57326	59
T53000	233	T57001	19	T57340	56
T53100	233	T57010	9	T57345	56
T54100	148	T57011	19	T57350	56
T54150	148	T57100	10	T57355	56
T54155	148	T57102	10	T57360	56
T54175	230	T57104	10	T57365	56
T54200	145	T57110	10	T57370	56
T54250	141	T57112	10	T57375	56
T54255	141	T57114	10	T57400	34
T54260	142	T57120	9	T57401	34
T54265	143	T57121	9	T57405	36
T54266	143	T57200	9	T57406	36
T54402	251	T57201	9	T57410	34
T54410	147	T57203	13	T57411	34
T54420	146	T57204	13	T57415	36
T55110	246	T57205	13	T57416	36
T55111	246	T57206	13	T57420	35
T55200	246	T57207	13	T57421	35
T55201	246	T57208	13	T57422	37

Part No	Page	Part No	Page	Part No	Page
T57423	37	T58132	31	T58700	62
T57425	37	T5813201	31	T58701	62
T57426	37	T58133	31	T58720	54
T57430	35	T5813301	31	T58725	54
T57431	35	T58134	31	T58726	54
T57435	37	T5813401	31	T58728	54
T57436	37	T58135	31	T58729	54
T57440	35	T5813501	31	T58730	54
T57441	35	T58150	41	T58731	54
T57450	34	T58151	41	T58733	54
T57451	34	T58155	41	T58734	54
T57455	36	T58156	41	T58735	53
T57456	36	T58160	41	T58736	53
T58010	19	T58161	41	T58738	53
T58011	19	T58200	43	T58739	53
T58015	19	T58201	43	T58740	53
T58018	20	T58205	43	T58741	53
T58026	20	T58206	43	T58742	53
T58030	20	T58215	43	T58743	53
T58031	20	T58216	43	T58744	53
T58080	25	T58240	43	T58745	54
T58081	25	T58241	43	T58746	54
T58085	25	T58300	45	T58748	54
T58086	25	T58301	45	T58749	54
T58098	25	T58305	45	T58750	53
T58099	25	T58306	45	T58751	53
T58100	22	T58315	45	T58753	53
T58101	22	T58316	45	T58754	53
T58104	19	T58340	45	T58756	52
T58105	22	T58341	45	T58757	52
T58106	22	T58400	5	T58758	52
T58107	22	T58410	7	T58759	52
T58108	22	T58450	32	T58760	52
T58110	23	T58451	32	T58761	52
T58111	23	T58500	47	T58762	52
T58116	23	T58501	47	T58763	52
T58120	23	T58505	47	T58780	50
T58121	23	T58506	47	T58781	50
T58122	27	T58515	47	T58782	50
T5812201	27	T58516	47	T58783	50
T58123	27	T58540	47	T58790	52
T5812301	27	T58541	47	T58791	52
T58125	27	T58600	15	T58792	52
T5812501	27	T58601	15	T58793	52
T58130	51	T58605	15	T58795	52
T5813001	51	T58606	15	T58800	29

Part No	Page	Part No	Page	Part No	Page
T5880001	29	T58975	30	T63736	186
T58810	30	T5897501	30	T63737	186
T5881001	30	T58980	30	T63738	186
T58815	30	T5898001	30	T63739	186
T5881501	30	T58985	30	T63749	190
T58820	30	T5898501	30	T63750	190
T5882001	30	T58990	29	T63751	190
T58830	29	T5899001	29	T63752	191
T5883001	29	T58997	29	T63753	191
T58840	29	T5899701	29	T63754	191
T5884001	29	T59000	137	T63755	189
T58860	39	T60000	139	T63756	189
T5886001	39	T60100	139	T63757	189
T58861	39	T60200	139	T63760	188
T5886101	39	T60600	139	T63765	188
T58862	39	T60900	137	T63766	188
T5886201	39	T61100	138	T63770	188
T58869	39	T61700	130	T63775	192
T5886901	39	T61800	130	T63776	192
T58870	29	T61900	130	T63777	192
T5887001	29	T62100	130	T63778	192
T58875	30	T62500	130	T63780	127, 193
T5887501	30	T62501	130	T63785	191
T58880	30	T62700	130	T63795	193
T5888001	30	T62800	130	T63796189, 273, 285	
T58885	30	T62900	130	T63820	193
T5888501	30	T63000	130	T63825	193
T58887	29	T63400	130	T63830	193
T5888701	29	T63500	130	T63840	194
T58890	29	T63600	130	T63841	194
T5889001	29	T63700	130	T63845	195
T58900	29	T63705	186	T63850	195
T58900001	29	T63706	186	T63860	197
T58905	30	T63707	186	T63862	197
T5890501	30	T63708	186	T63865	197
T58910	30	T63710	186	T63908	183
T5891001	30	T63715	186	T63909	183
T58915	30	T63726	187	T63910	183
T5891501	30	T63727	187	T63911	183
T58920	29	T63730	186	T63912	183
T5892001	29	T63731	186	T63913	183
T58927	29	T63732	186	T63914	183
T5892701	29	T63733	186	T63915	183
T58970	29	T63734	186	T63916	183
T5897001	29	T63735	186	T63917	183

Part No	Page	Part No	Page	Part No	Page
T63918	183	T67200	138	T76500	199
T63919	183	T72700	251, 254	T76505	200
T63920	184	T73000	253	T76506	200
T63921	184	T73100	253	T76507	200
T63922	184	T73102	254	T76600	199
T63923	184	T73103	254	T76700	199
T63924	184	T73350	255	T76800	201
T63925	184	T73360	255	T76900	202
T63926	184	T73370	256	T77000	202
T63927	184	T73380	256	T77100	201, 202
T63928	184	T73390	256	T77110	201
T63929	184	T73391	256	T77200	204
T63930	184	T73392	256	T77300	203
T63931	184	T73400	255	T77400	203
T63941	182	T73401	255	T77500	204
T63942	182	T73500	255	T77600	204
T63943	182	T73501	255	T77650	204
T63944	182	T73800	259	T77800	201
T63945	182	T73900	256	T77900	201
T63946	182	T74000	259	T77910	201
T63947	182	T74100	259	T77950	203
T63948	182	T74200	250, 254	T77960	203
T63949	182	T74300	253	T77970	203
T63950	182	T74301	253	T78100	262
T63951	182	T74302	253	T78105	262
T63952	182	T74303	253	T78115	262
T64000	135	T74307	259	T78120	262
T64100	135	T74308	259	T78125	262
T64200	134	T74400	255	T78130	262
T64300	134	T74402	255	T78135	262
T64600	137	T74500	253	T78210	263
T64700	137	T74700	253	T78225	263
T64800	137	T74705	253	T78230	263
T64900	136	T74710	253	T78235	263
T65000	132	T75000	226	T78240	263
T65300	133	T75010	226	T81000	177
T65400	133	T75020	226	T81001	177
T65500	133	T75050	225	T81010	177
T65600	136	T75055	225	T81011	177
T65700	136	T75080	225	T81020	177
T66100	131	T75976	71	T81021	177
T66200	131	T76000	199	T81050	177
T66300	131	T76100	199	T81051	177
T66400	132	T76200	199	T81060	177
T66500	132	T76300	199	T81061	177
T67000	137	T76400	199		

Part No	Page	Part No	Page	Part No	Page
T81070	177	T84110	270	T85040	280
T81071	177	T84115	270	T85045	280
T81080	177	T84116	269	T85050	280
T81081	177	T84117	269	T85052	280
T81100	178	T84118	269	T85053	280
T81110	178	T84120	269	T85054	280
T81120	178	T84121	269	T85055	280
T81140	179	T84130	270	T85060	280
T81150	179	T84160	270	T85065	280
T81160	179	T84165	270	T85070	284
T81161	179	T84180	276	T85075	284
T81170	178	T84185	274	T85080	284
T81190	178	T84186	274	T85085	284
T81191	178	T84205	275	T85110	283
T81192	178	T84215	275	T85115	283
T81200	178	T84217	277	T85116	283
T84000	268	T84220	273	T85117	283
T84005	268	T84225	273	T85118	283
T84010	268	T84230	274	T85120	282
T84015	268	T84249	278, 288	T85121	282
T84017	268	T84250	278, 288	T85130	282
T84018	268	T84251	278, 288	T85160	282
T84019	268	T84252	278, 288	T85165	282
T84020	268	T84253	278, 288	T85180	283
T84025	268	T84260	278	T85185	286
T84030	268	T84300	258	T85186	286
T84035	268	T84310	258	T85205	287
T84040	268	T84500	140	T85215	287
T84045	268	T84501	140	T85217	287
T84050	268	T84506	140	T85220	285
T84052	268	T84510	140	T85225	285
T84053	268	T84511	140	T85260	288
T84054	268	T84515	140, 276	T85850	49
T84055	268	T84516	140, 276	T85865	49
T84060	268	T85000	280	T85870	49
T84065	268	T85005	280	T85880	49
T84070	271	T85010	280	T85890	49
T84071	271	T85015	280		
T84075	271	T85017	280		
T84080	271	T85018	280		
T84085	271	T85019	280		
T84086	271	T85020	280		
T84105	151, 272	T85025	280		
T84106	151, 272	T85030	280		
T84107	151, 272	T85035	280		

Index by Name

Name	Page	Name	Page
3 Point Receiver	258	E	
3 Position Tank Trap	143	Easydeck Staging	198
48mm Barrel Receivers	233	Easylift Stands	247
A		Extension Poles	216
Aluminium Barrel	153	Eye Bolts	103
Articulated Big Ben Clamp	11	Eye Nuts	103
Atom Clamps	28	F	
Atom G Clamps	32	Facility Panels	261
B		Fifty Clamp	6
Baby Arms	214	Finial Coupler	53
Baby Grid Clamp	220	Flag Frames	223
Baby Pin Hook Clamp	220	Flat Clamp	221
Baby Quick Trigger Clamps	40	Floor Stands	148
Barrel Socket Clamp	51	Flying Irons	134
Barrel Trolleys	289	Followspot Rail Mount	146
Beam Clamp	89	Followspot Stands	250
Big Ben Clamp	11	Followspot Roller Race Spigot	250
Boom Arms (aluminium)	57	Frame Clamps	222
Boom Arms (steel)	82	G	
Bow Shackles	114	G Clamps	222
Brace Weights	138	Gaffer Clamp	221
Braced Boom Arm	58	Galvanised Tube	155
C		Gate Eye	102
C' Stands	245	Girder Clamps	86
Cable Grips	104	Gobo Arms	212
Cable Holder	107	Gravlock Couplers	85
Castor kits for stands	230	Grid Hanger	79
Ceiling Saddle	152	Grip Equipment	210
Claw Clamps	52	Grip Helper	217
Clews and Cleats	126	Gripheads	211
Club Stands	238	Grummetts	133
Combo Stands	241	H	
Curtain Track	180	H' Frames	72
D		Hanging Clamps	81
Double Ended Drop Arms	219	Hanging Irons	135
Double Ended Hook Clamps	100	Hinges	130
Doughty Clamps	8	Hook Clamps	93
Doughty Low Profile Clamps	14	Hooks and Eyes	102
Doughty Rail	176		
Drop Arms	219		

Name	Page	Name	Page
I			
IWB's	264	Pivot Hinge Assembly	53
J			
Junior Arms	214	Pole Op Yokes	224
K			
Karabiners	106	PolyHolders	213
Kunckle Joint	206	Professional Followspot	251
L			
Lifting Chain	106	Projector Cradles	225
Lighting Hoists	292	Projector Mounts	225
Lightweight Big Ben Clamp	22	Pulleys - Heavy Duty	122
Lightweight Clamps	21	Pulleys - Standard	118
Lightweight Drop Arm	218	Q	
Lightweight Hanging Clamps	22	Quick Links	105
Lightweight Pantographs	290	Quick Trigger Clamps	42
Lightweight Stand	144	R	
Lindapters	86	Reutlingers	107
Locking Elbows	52	Risers	217
Low Lifts	216	Roller Stands	243
Low Profile Clamp	14	Rope	127
Low Profile Weld Coupler	14	Rope Brakes	128
Lynch Pins	105	S	
M			
Mammoth Clamps	33	Saddle Clamps	80
Marquee Clamps	90	Safety Bonds	116
Modular Rigging System	67	Sand Bags	223
N			
Nebula Stands	246	Scaffold Clamps	156
Nipper Stands	148	Scissor Clamps	88
O			
Operating Poles - Telescopic	278	Shackles	114
Overhead Stands	244	Side Entry Clamp	50
P			
Pantographs	291	Six Track	180
Pelmet Clips and Sockets	131	Slimline Big Ben Clamp	20
Pipe to Pipe Clamps (steel)	83	Slimline Doughty Clamps	18
Pipe to Pipe Couplers (alu)	55	Slimline Lightweight Clamps	24
Pipe to Wall Brackets	150	Slimline Quick Trigger Clamps	44
Pipeclamps	166	Slotted Wall Brackets	151
Pivot Arm	206	Solid Truss Adaptors	64
		Space Savers	48
		Space Saver Omega	48
		Speciality Couplers	50
		Speedrail	158
		Spigots	252
		Stabiliser Coupler	54
		Stage Braces	139
		Stainless Fixings	16
		Stand Accessories	230
		Stands	237
		Strata Stands	248

Name	Page
S	
Stud Hanger	81
Studio Rail 60	266
Studio Rail 80	279
Studio Stands	239
Supaclamps	205
Super Lightweight Clamps.....	26
Super Lightweight Drop Arm.....	218
Super Lightweight Panel Clamp .	51
Suspension Clamps.....	77
Swivel Arms	140
T	
Tank Traps	141
Tee Bars	236
Thimbles	104
Titan Quick Trigger Clamps	46
Tough Boxes.....	263
Transporter Trolleys.....	228
Trigger Clamps	38
Truss Adaptors	60
TV Brackets	226
TV Doughty Clamp	12
TV Quick Clamp	12
Twenty Clamp.....	4
U	
'U' Bolts.....	83
Universal Clamps	80
Universal Hanger.....	217
Universal Joint.....	78
W	
Wall Brackets.....	149
Wall Hanger	78
Wall Plates.....	145
Winch Stands	248
Wind Up Stands.....	246
Wire Rope.....	127
Worm Gear Winches	128
Z	
Zenith Stands	249

Terms and Conditions

For terms and conditions refer to web site: www.doughty-engineering.co.uk

Note: Whilst every effort has been made to ensure that the information contained within this catalogue is correct, Doughty Engineering does not accept any liability for errors or omissions. Specifications and technical data are intended for guidance purposes only and may vary.

The buyer shall indemnify the seller against all claims in respect of any loss, injury, or damage sustained by a third party arising from the sale of the goods to the buyer howsoever caused and also against all actions, proceedings, costs, claims, demands and expenses brought or claimed against the seller in respect of the infringement of any patent, trademark, registered design or similar right arising from the manufacture or supply of any goods or the doing of any work or the use of any article or material by the seller to the design or specification or upon the instructions or order of the buyer.

Doughty Engineering Ltd

Crow Arch Lane
Ringwood
Hampshire BH24 1NZ
United Kingdom

Tel: +44 1425 478961

Email: sales@doughty-engineering.co.uk
www.doughty-engineering.co.uk